

adaptalift **GROUP**

 **Dingli**

MVP-2 Series

MVP60-2 / MVP75-2 / MVP90-2 / MVP120-2

MOBILE VERTICAL LIFTS



13 22 54

dingliaustralia.com.au

Dingli MVP-2 Series

Mobile Vertical Lifts (MVP60-2 / MVP75-2 / MVP90-2 / MVP120-2)

Standard Equipment:

- Swing Outriggers with Interlock
- Emergency Stop Button
- Easy Loading in Pickup Trucks
- Two Controllers Operation
- Emergency Lowering System
- Leveling Indicator
- Forklift Pockets
- Transport Tie Hole
- All Motion Alarm
- Cylinder Holding Valve
- Overload Sensor
- Beacon
- Tilt Back Frame (MVP120-2 Only)

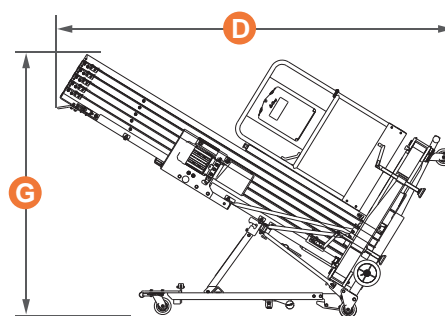
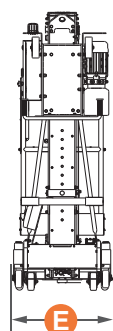
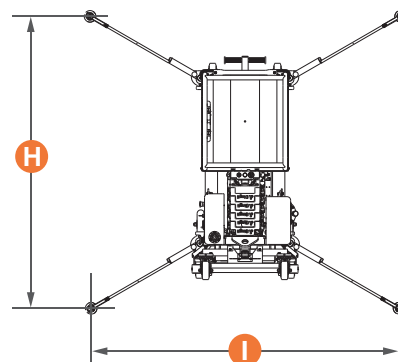
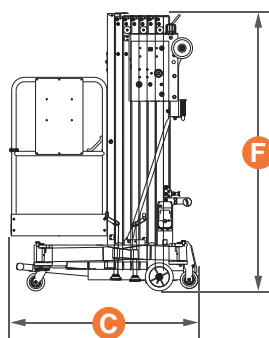
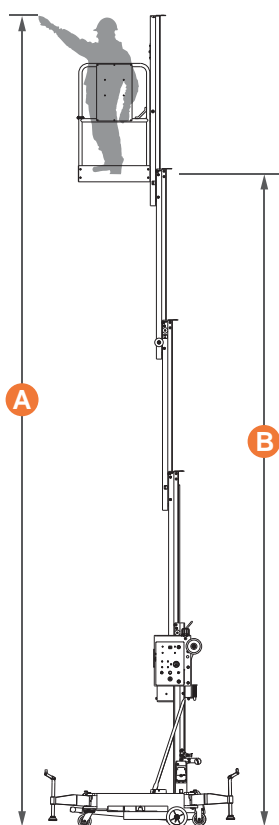


Options:






- AC Power To Platform

MVP60-2 / MVP75-2 / MVP90-2
*AC and DC, 6 styles

MVP120-2
*AC and DC, 2 styles



(MVP120-2 Only)

Specifications	MVP60-2	MVP75-2	MVP90-2	MVP120-2
 S.W.L	150 kg	150 kg	150 kg	150 kg
Max. Occupants (Indoor/Outdoor)	1	1	1	1
 A Max. Working Height	8.00 m	9.50 m	11.00 m	14.00 m
B Max. Platform Height	6.00 m	7.50 m	9.00 m	12.00 m
 C Overall Length (Stowed)	1.30 m	1.30 m	1.34 m	1.53 m
D Overall Length (Tilted Back)	-	-	-	3.04 m
E Overall Width	0.75 m	0.75 m	0.75 m	0.75 m
F Overall Height (Stowed)	1.99 m	1.99 m	1.99 m	2.77 m
G Overall Height (Tilted Back)	-	-	-	1.95 m
Outrigger Footprint (Length H / Width I)	1.70/1.86 m	1.70/1.86 m	1.70/1.86 m	2.02/0.60 m
Platform Size (Length/Width)	0.70x0.60 m	0.70x0.60 m	0.70x0.60 m	0.70x0.60 m
Ground Clearance	55 mm	55 mm	55 mm	55 mm
 Lifting Motor (AC)	220VAC/1.5kW	220VAC/1.5kW	220VAC/1.5kW	220VAC/1.5kW
Lifting Motor (DC)	12VDC/1.5kW	12VDC/1.5kW	12VDC/1.5kW	12VDC/1.5kW
 Up / Down Speed	22/15 sec	28/18 sec	34/22 sec	45/29 sec
 Batteries	12V/85Ah	12V/85Ah	12V/85Ah	12V/85Ah
Integrated Charger	12V/15A	12V/15A	12V/15A	12V/15A
 Tyres (Back Wheels)	8 in	8 in	8 in	8 in
Tyres (Front Wheels)	5 in	5 in	5 in	5 in
 Weight (AC)	406 kg	430 kg	450 kg	570 kg
Weight (DC)	429 kg	453 kg	470 kg	600 kg

* Product specifications and prices are subject to change without notice or obligation. The photographs and/or drawings in this document are for illustrative purposes only.

BRANCHES

VICTORIA

Melbourne - Springvale

- 📍 (Head Office)
1574 Centre Rd,
Springvale, VIC 3171
☎ [03] 9547 8000

Melbourne - Truganina

- 📍 42-44 Jessica Way
Truganina, VIC 3029
☎ [03] 9394 4000

QUEENSLAND

Brisbane (State Office)

- 📍 11 Lombank St,
Acacia Ridge, QLD 4110
☎ [07] 3373 5111

Rockhampton

- 📍 62 Glenmore Rd, Park Avenue,
Rockhampton, QLD 4701
☎ [07] 4922 8874

Townsville

- 📍 39 Duckworth St,
Garbutt, Townsville, QLD 4814
☎ [07] 4778 2000

TASMANIA

Spreyton

- 📍 87a Devonport Rd,
Spreyton, TAS 7310
☎ [03] 6427 3966

NEW SOUTH WALES

Sydney (State Office)

- 📍 219 Newton Rd,
Wetherill Park, NSW 2164
☎ [02] 8788 1777

Riverina

- 📍 5 Favell St,
Griffith, NSW 2680
☎ [02] 6962 7343

SOUTH AUSTRALIA

Adelaide (State Office)

- 📍 18-22 Churchill Rd. Nth.
Dry Creek, SA 5094
☎ [08] 8360 3444

Mt. Gambier

- ☎ 13 22 54

WESTERN AUSTRALIA

Perth (State Office)

- 📍 Unit 1, 1-9 Kurnall Road
Welshpool, WA 6106
☎ [08] 9352 9200

Karratha

- 📍 Lot 3873-Pemberton Rd,
Karratha, WA 6106
☎ 13 22 54

13 22 54

dingliaustralia.com.au