

adapta**lift**GROUP



**N35-40ZRS / N30ZDRS**  
**N35-45ZR / N30-35ZDR**

1361 - 2041 KG

PANTOGRAPH  
(DOUBLE DEEP)  
REACH TRUCK



THE SOLUTION TO YOUR  
APPLICATION NEEDS

**13 22 54**  
[www.adaptalift.com.au](http://www.adaptalift.com.au)

# THE HYSTER ADVANTAGE



## Productivity

- ✓ AC hoist system maximizes lift at lower speeds.
- ✓ Dedicated auxiliary pump and motor increases speed and controllability of auxiliary functions.
- ✓ AC traction system maximizes performance and provides seamless direction transitions.
- ✓ Powered and regenerative lowering function maintains speeds and increases the interval between battery changes through improved efficiency.
- ✓ Electric power steering, standard on all models, offers on-demand steering for maximum efficiency and minimal battery drain.
- ✓ Automatic drive tire centering at start-up saves time for the operator.
- ✓ Automatic brake operation applies the brake when the truck is stationary, eliminating the need for the operator to lift a leg to apply the brake.
- ✓ Optional electrically steered caster.

## Dependability

- ✓ CANbus communication system reduces wiring and electrical connections and provides real time diagnostics.
- ✓ Sealed electrical connectors keep out debris and help reduce the possibility of loose connections.
- ✓ O-ring face seal fittings help maximize uptime and reduce leaks.
- ✓ Completely brushless AC traction and hoist motors improve reliability.
- ✓ Thermal management system for all motors and controllers add protection from overheating.
- ✓ Dedicated auxiliary pump and motor helps reduce demand on main hydraulic motor.
- ✓ Regenerative lowering helps reduce heat build-up in the hydraulic system and returns potential energy of the load to the battery.

## Ergonomics

- ✓ CANbus communication system reduces wiring and electrical connections and provides real time diagnostics.
- ✓ Sealed electrical connectors keep out debris and help reduce the possibility of loose connections.
- ✓ O-ring face seal fittings help maximize uptime and reduce leaks.
- ✓ Completely brushless AC traction and hoist motors improve reliability.
- ✓ Thermal management system for all motors and controllers add protection from overheating.
- ✓ Dedicated auxiliary pump and motor helps reduce demand on main hydraulic motor.
- ✓ Regenerative lowering helps reduce heat build-up in the hydraulic system and returns potential energy of the load to the battery.



## \$ Cost of Operation

- ✓ AC traction and hoist motors help reduce maintenance through a simpler design and the elimination of brush replacement.
- ✓ Regenerative lowering improves battery efficiency.
- ✓ Brushless steering and auxiliary motors help reduce maintenance time and cost.
- ✓ Electric brake provides parking and emergency braking capability with no need to service.
- ✓ Dual articulating caster wheels promote even tire wear and minimize tire scrub.
- ✓ Optional electrically steered caster.
- ✓ Optional Sealed load wheel bearings reduce greasing requirements.

## 🔧 Serviceability

- ✓ Daily operator checks can be performed without removing covers
- ✓ Full diagnostics are standard, easing serviceability, helping reduce troubleshooting
- ✓ Easy access to all components for regular maintenance and repair
- ✓ Completely brushless traction, hoist and auxiliary function motors help reduce service time
- ✓ Regenerative braking helps reduce brake wear
- ✓ No need to remove the mast for adjustments
- ✓ Optional bolt-on load wheels allow easy service of load wheels for routine changing and impact damage

## 🔧 Versatility

- ✓ Applicable mast configurations:
  - 5.5" standard duty 3-stage (lift heights 191" to 272")
  - 5.5" heavy duty 3-stage (lift heights 212" to 293")
  - 6.9" 3-stage (lift heights 272" to 422")
- ✓ Multiple battery compartments are available:
  - 14.5" and 16.5" for 3,500 and 4,000 lb. models.
  - 16.5", 18.5" and 21.5" for 4,500 lb. models.
- ✓ Four programmable vehicle modes are available for maximum speed, acceleration, deceleration and hydraulic ramping.
- ✓ Multi-function control handle integrated in armrest with fore/aft stance and side stance.
- ✓ Wide range of options available:
  - Fork height display
  - Load weight display
  - Shelf height selector

## ADVANCED FEATURES



**1 ON-DEMAND ELECTRIC STEERING**

Low effort reduces operator fatigue.

**2 LOW STEP HEIGHT**

The 9.6" step height provides easy entry/exit to reduce operator fatigue.

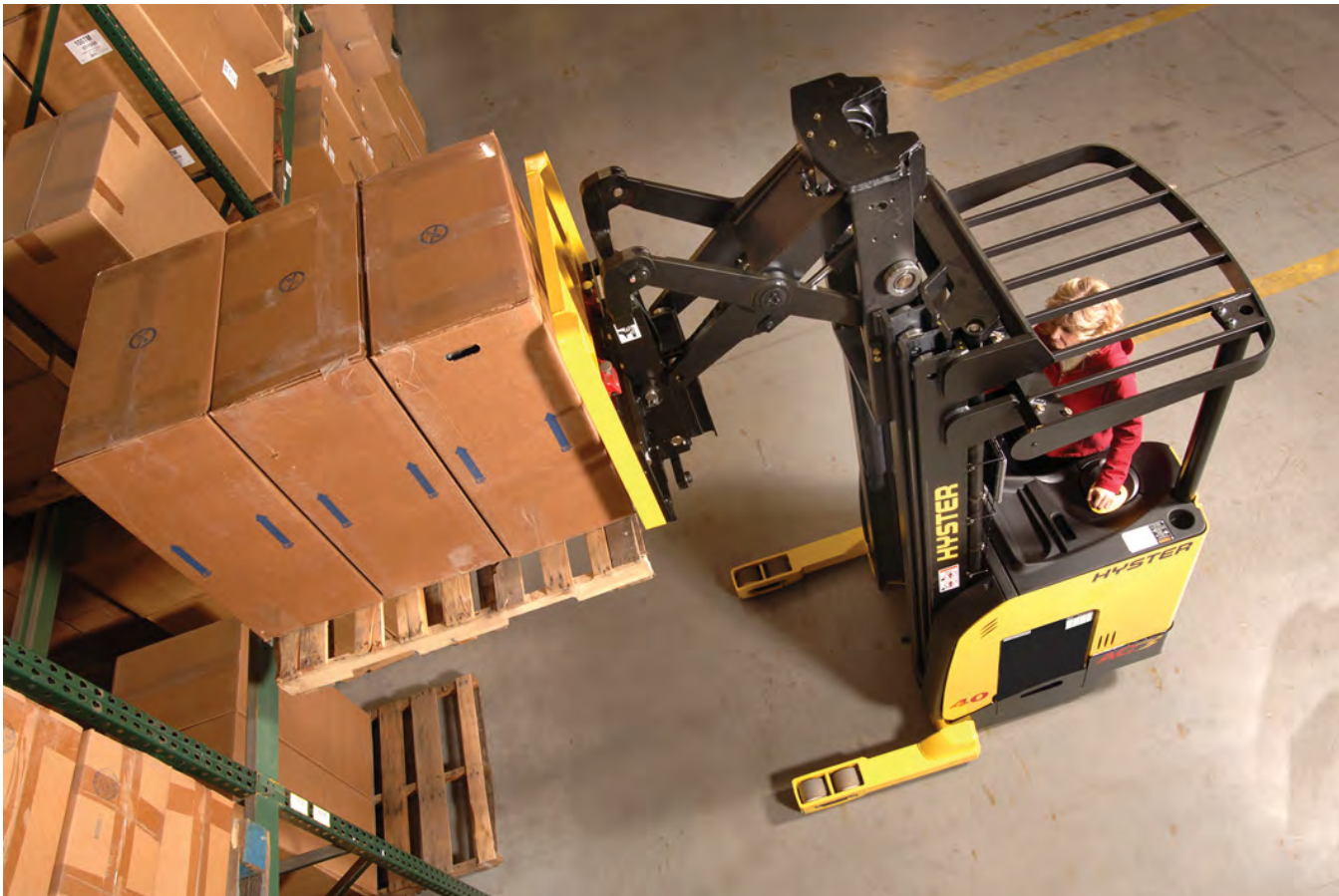
**3 MAST**

Adjustable wear strips help keep channel rails properly aligned. Mast removal and disassembly is not required for adjustments.

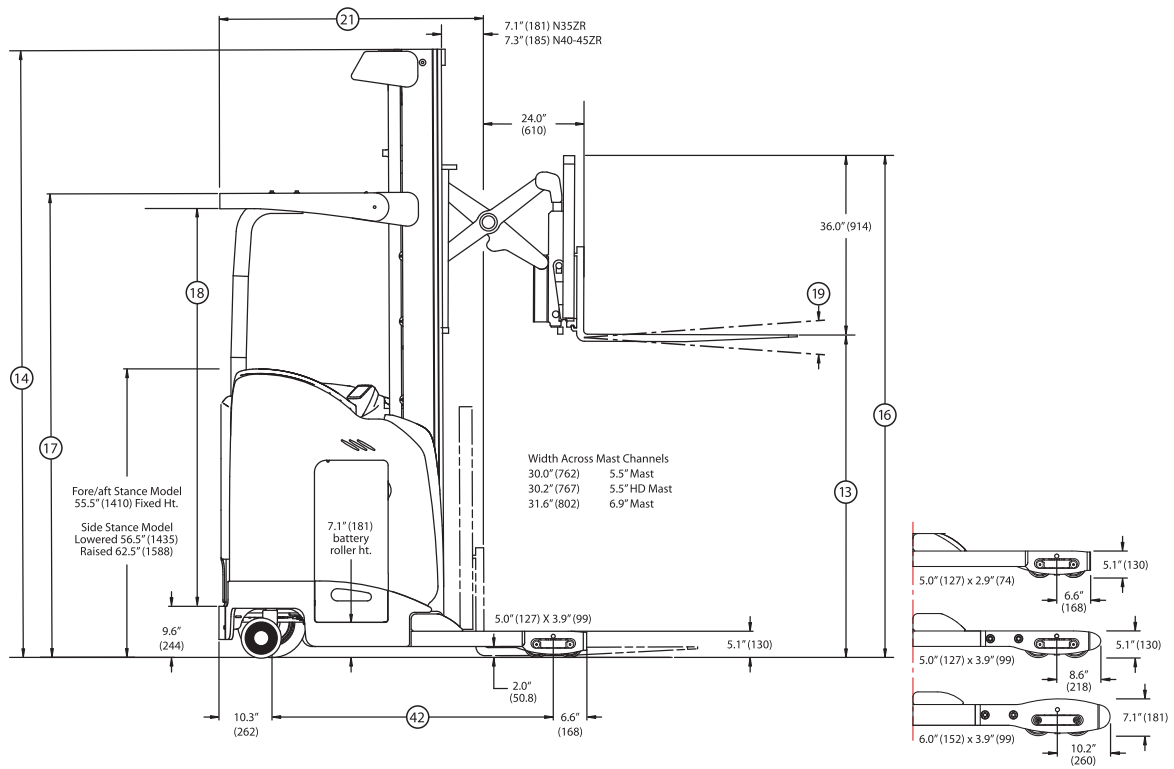
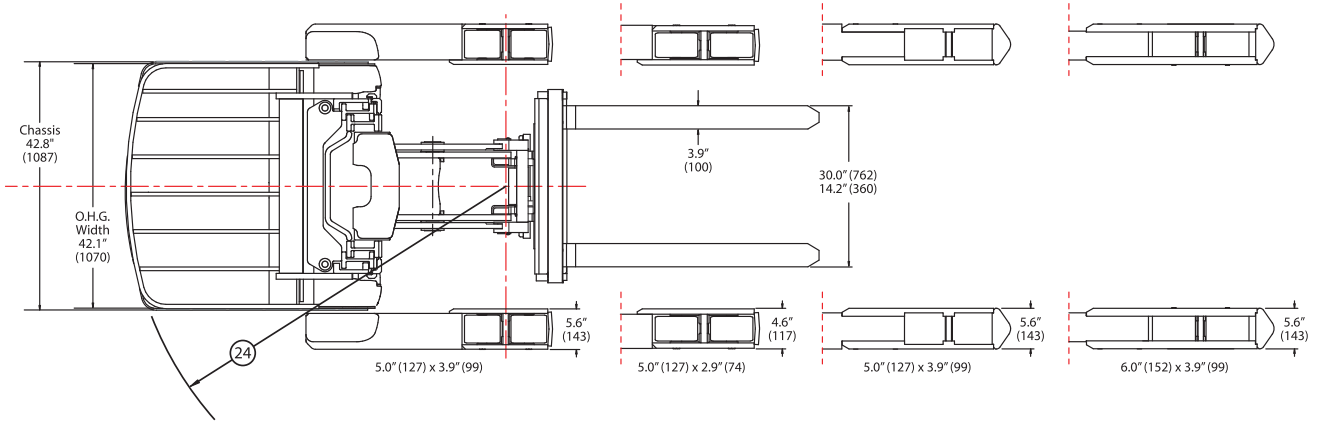
**4 CONFIGURATION FLEXIBILITY**

Provides optimal operator positioning. Ability to select different stances (Fore/Aft or Side stance) and different control handle configurations.

**Trucks shown with optional equipment.**



# N35-45ZR DIMENSIONS



Circled dimensions correspond to the line numbers on the tabulated chart inside the Technical Guide. Dimensions are in inches (millimeters).

# N35-45ZR SPECIFICATIONS

GENERAL	1		Hyster Company		Hyster Company		Hyster Company		
	2	Manufacturer Name		N35ZR		N40ZR		N45ZR	
3	Model		SWB		SWB		SWB		
4	Wheel Base Designation		3500 (1588)		4000 (1814)		4500 (2041)		
5	Rated Capacity		lb. (kg)		24 (610)		24 (610)		
6	Load Center, Distance		in. (mm)		Electric - 36 volt		Electric - 36 volt		
7	Power Type - Electric, Diesel, LPG		Stand		Stand		Stand		
8	Operator Type		Poly / Poly / Poly		Poly / Poly / Poly		Poly / Poly / Poly		
9	Tire Type - Load/Caster/Drive		4 / 2 (1x)		4 / 2 (1x)		4 / 2 (1x)		
10	Wheels, Number Load/Drive (x=driven)		lb.		4950		5000		
11	Truck Weight, without Battery (approximate)		lb.		5400		5400		
WT.	12		Axle Loading - Front/Rear with Assemble Retracted **		lb.		lb.		
	13		Front		Rear		Front		
14		6750		3800		7400		3700	
15		8400		3800		8400		3800	
DIMENSIONS	13		Height, Standard Lift (TOF)		in. (mm)		See Mast Table		
	14		Height, Standard Mast Lowered (OALH)		in. (mm)		See Mast Table		
	15		Height, Freelift (TOF)		in. (mm)		See Mast Table		
	16		Height, Standard Mast Extended w/LBR		in. (mm)		See Mast Table		
	17		Height, Top of OHG		in. (mm)		See Mast Table		
	18		Height, Operator Clearance		in. (mm)		See Mast Table		
	19		Mast Tilt Angle, Forward/Back		degrees°		3 / 4		
	20		Forks, Standard (Length x Width x Thickness)		in.		1.6 x 3.9 x 42		
	21		Headlength to Face of Forks - All Battery Compartments ***		in. (mm)		See Mast Table		
	22		Basearm OEC		in.		34"- 49" (1" increments)		
	23		Battery Compartment Size, 14.5" Battery Compartment - (LxWxH)		in.		39.0 x 14.5 x 31.5		
	24		Battery Compartment Size, 16.5" Battery Compartment - (LxWxH)		in.		39.0 x 16.5 x 31.5		
	25		Battery Compartment Size, 18.5" Battery Compartment - (LxWxH)		in.		N/A		
	26		Battery Compartment Size, 21.5" Battery Compartment - (LxWxH)		in.		N/A		
	27		Turning Radius - minimum outside, 14.5" Battery Compartment		in.		65.74		
	28		Turning Radius - minimum outside, 16.5" Battery Compartment		in.		67.74		
	29		Turning Radius - minimum outside, 18.5" Battery Compartment		in.		N/A		
30		Turning Radius - minimum outside, 21.5" Battery Compartment		in.		N/A			
31		Aisle Width - Zero Clearance - Right Angle Stack		see chart		See "RAS" Table			
PERFORMANCE	26		Stability - Comply with ANSI		Yes		Yes		
	27		Travel Speed		Standard		Optional		
	28		Rearward (chassis first) - Empty/RL		mph		7.4/6.5		
	29		Forward (forks first) - Empty/RL		mph		7.4/6.5		
	30		Lift Speed		Standard		Optional		
	31		Empty		ft./min		100		
	32		2,000 lb.		ft./min		75		
	33		3,000 lb.		ft./min		69		
	34		3,500 lb.		ft./min		64		
	35		4,000 lb.		ft./min		N/A		
	36		4,500 lb.		ft./min		N/A		
	37		Lowering Speeds, Empty		ft./min		95		
	38		Lowering Speeds, RL		ft./min		95		
WHEELS & TIRES	39		Size - Front Load Wheels, Standard		5 x 3.9		5 x 3.9		
	40		Drive		Caster		Drive		
	41		12.0 x 5.5		7.9 x 2.2		12.0 x 5.5		
	42		Size, Standard - Drive Tire/Dual Casters		13.5 x 5.5		7.9 x 2.2		
	43		Wheelbase - 14.5" Battery Compartment		in.		55.35		
	44		Wheelbase - 16.5" Battery Compartment		in.		57.36		
	45		Wheelbase - 18.5" Battery Compartment		in.		N/A		
	46		Wheelbase - 21.5" Battery Compartment		in.		N/A		
	47		Brakes, Method of Control - Service/Parking		Foot		Foot		
	48		Brakes, Method of Operation - Service/Parking		Spring Apply / Electric Release		Spring Apply / Electric Release		
ELECTRIC	49		Battery Type		Lead Acid		Lead Acid		
	50		Traction Motor Rating (60 minute rating)		hp (kw)		7.5 (5.6)		
	51		Hoist Motor Rating (5 minute rating)		hp (kw)		14.8 (11.0)		
	52		Traction Motor Control Method		Transistor		Transistor		
	53		Hoist Motor Control Method		Transistor		Transistor		
	54		Number of Speeds		Infinitely Variable		Infinitely Variable		

\*\* Static with Rated Load and Max. Wt. Battery

\*\*\* Add 1" for Sideshift

† Travel Speed will be reduced to 6.8 / 5.8 (Empty / Rated Load) with MFHs above 341" in the Rearward and Forward direction.

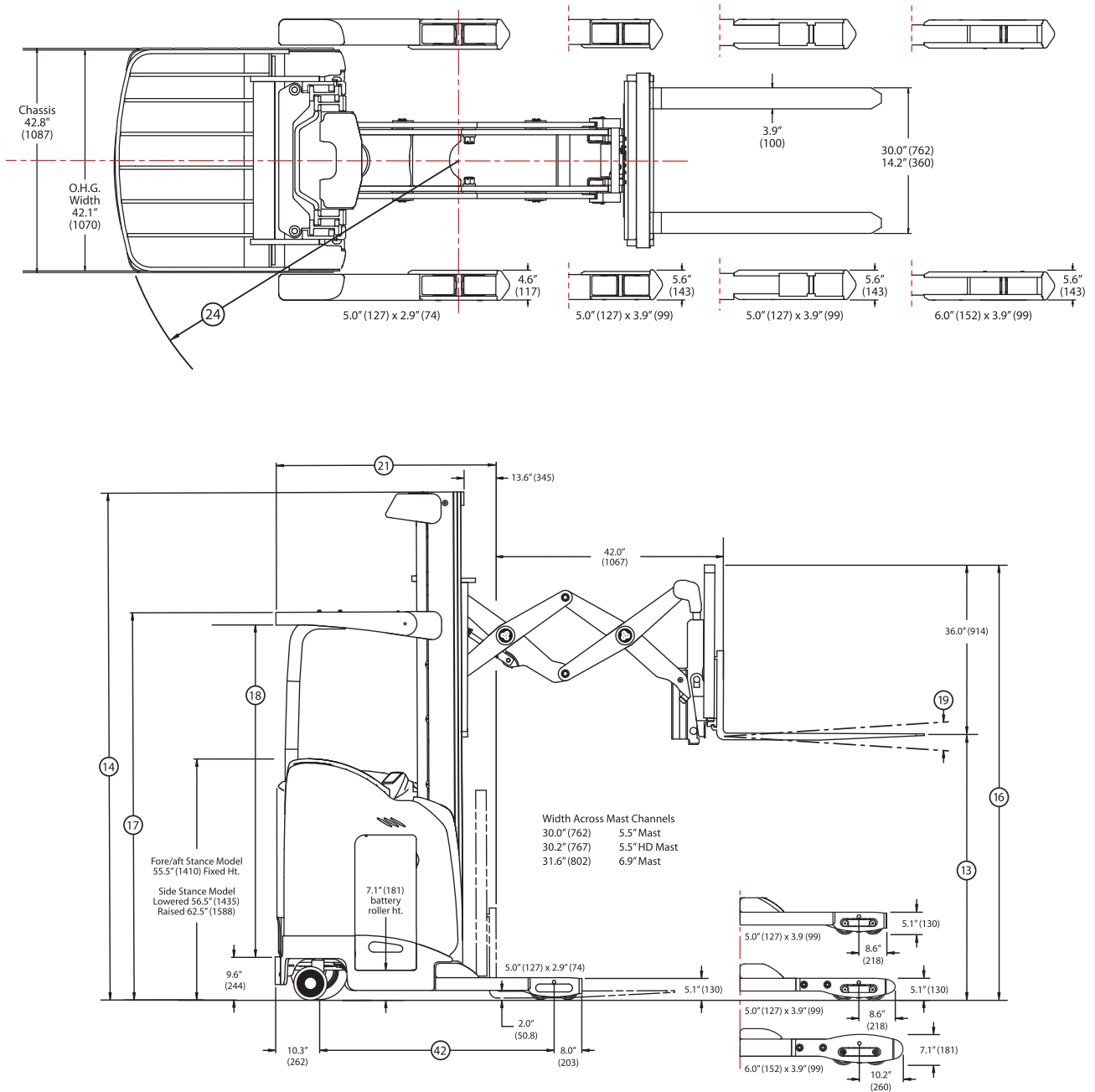
8.0 mph travel speed is limited to Load up to 2500 lbs.

SWB = Short Wheel Base; LWB = Long Wheel Base

**CERTIFICATION:** These Hyster lift trucks meet design specifications of Part II ANSI B56.1-1969, as required by OSHA Section 1910.178(a)(2) and also comply with Part III ANSI B56.1-revision in effect at time of manufacture. Certification of compliance with the applicable ANSI standards appears on the lift truck.

**NOTE:** Performance specifications / ratings are for truck equipped as described under Standard Equipment in this Technical Guide. Performance specifications are affected by the condition of the vehicle and how it is equipped, as well as by the nature and condition of the operating area. Specifications are subject to change and the proposed application should be discussed with Adaptalift Hyster.

# N30-35ZDR DIMENSIONS



Circled dimensions correspond to the line numbers on the tabulated chart inside the Technical Guide. Dimensions are in inches (millimeters).



# N30-35ZDR SPECIFICATIONS

GENERAL	1		Hyster Company		Hyster Company	
	2		N30ZDR		N35ZDR	
WT.	3		LWB	SWB	LWB	SWB
		Rated Capacity	lb. (kg)	3000 (1361)		3500 (1588)
	Load Center, Distance	in. (mm)	24 (610)		24 (610)	
	Power Type - Electric, Diesel, LPG		Electric - 36 volt		Electric - 36 volt	
	Operator Type		Stand		Stand	
	Tire Type - Load/Caster/Drive		Poly / Poly / Poly		Poly / Poly / Poly	
	Wheels, Number Load/Drive (x=driven)		4 / 2 (1x)		4 / 2 (1x)	
	Truck Weight, without Battery (approximate)	lb.	5250	N/A	5250	N/A
			Front	Rear	Front	Rear
	Axle Loading - Front/Rear with Assemble Retracted **	lb.	6300	4050	6700	4250
DIMENSIONS	Height, Standard Lift (TOF)	in. (mm)	See Mast Table		See Mast Table	
	Height, Standard Mast Lowered (OALH)	in. (mm)				
	Height, Freelift (TOF)	in. (mm)				
	Height, Standard Mast Extended w/LBR	in. (mm)				
	Height, Top of OHG	in. (mm)				
	Height, Operator Clearance	in. (mm)				
	Mast Tilt Angle, Forward/Back	degrees°	3 / 4		3 / 4	
	Forks, Standard (Length x Width x Thickness)	in.	1.8 x 3.9 x 42		1.6 x 3.9 x 42	
	Headlength to Face of Forks - All Battery Compartments	in. (mm)	See Mast Table		See Mast Table	
	Basearm OEC	in.	34"- 49" (1" increments)		34"- 49" (1" increments)	
	Battery Compartment Size, 14.5" Battery Compartment - (LxWxH)	in.	39.0 x 14.5 x 31.5		N/A	
	Battery Compartment Size, 16.5" Battery Compartment - (LxWxH)	in.	39.0 x 16.5 x 31.5		39.0 x 16.5 x 31.5	
Battery Compartment Size, 18.5" Battery Compartment - (LxWxH)	in.	N/A		39.0 x 18.5 x 31.5		
Battery Compartment Size, 21.5" Battery Compartment - (LxWxH)	in.	N/A		39.0 x 21.5 x 31.5		
Turning Radius - minimum outside, 14.5" Battery Compartment	in.	70.74	N/A	N/A		
Turning Radius - minimum outside, 16.5" Battery Compartment	in.	72.74	N/A	72.90	67.90	
Turning Radius - minimum outside, 18.5" Battery Compartment	in.	N/A		74.90	69.90	
Turning Radius - minimum outside, 21.5" Battery Compartment	in.	N/A		77.90	72.90	
Aisle Width - Zero Clearance - Right Angle Stack	see chart	See "RAS" Table		See "RAS" Table		
Stability - Comply with ANSI		Yes		Yes		
Travel Speed		Standard	Optional	Standard	Optional	
Rearward (chassis first) - Empty/RL	mph	7.4/6.8 †	N/A	7.4/6.8 †	8.0/6.8 †	
Forward (forks first) - Empty/RL	mph	7.4/6.8 †	N/A	7.4/6.5 †	8.0/6.5 †	
Lift Speed		Standard	Optional	Standard	Optional	
Empty	ft./min	100	114	114	130	
2,000 lb.	ft./min	71	82	82	93	
3,000 lb.	ft./min	65	73	73	85	
3,500 lb.	ft./min	N/A	N/A	70	N/A	
4,000 lb.	ft./min	N/A	N/A	N/A	N/A	
4,500 lb.	ft./min	N/A	N/A	N/A	N/A	
Lowering Speeds, Empty	ft./min	95		105		
Lowering Speeds, RL	ft./min	95		105		
Size - Front Load Wheels, Standard		5 x 2.9		5 x 2.9		
		Drive	Caster	Drive	Caster	
Size, Standard - Drive Tire/Dual Casters		12.0 x 5.5	7.9 x 2.2	13.5 x 5.5	7.9 x 2.2	
Wheelbase - 14.5" Battery Compartment	in.	60.35	N/A	N/A		
Wheelbase - 16.5" Battery Compartment	in.	62.36	N/A	62.36	57.36	
Wheelbase - 18.5" Battery Compartment	in.	N/A		64.37	59.37	
Wheelbase - 21.5" Battery Compartment	in.	N/A		67.36	62.36	
Brakes, Method of Control - Service/Parking		Foot		Foot		
Brakes, Method of Operation - Service/Parking		Spring Apply / Electric Release		Spring Apply / Electric Release		
Battery Type		Lead Acid		Lead Acid		
Traction Motor Rating (60 minute rating)	hp (kw)	7.5 (5.6)		7.5 (5.6)	8.7 (6.5)	
Hoist Motor Rating (5 minute rating)	hp (kw)	14.8 (11.0)	18.0 (13.4)	18.0 (13.4)	20.7 (15.4)	
Traction Motor Control Method		Transistor		Transistor		
Hoist Motor Control Method		Transistor		Transistor		
Number of Speeds		Infinitely Variable		Infinitely Variable		

\* Short or Long Wheelbase is determined by Mast Height

\*\* Static with Rated Load and Max. Wt. Battery

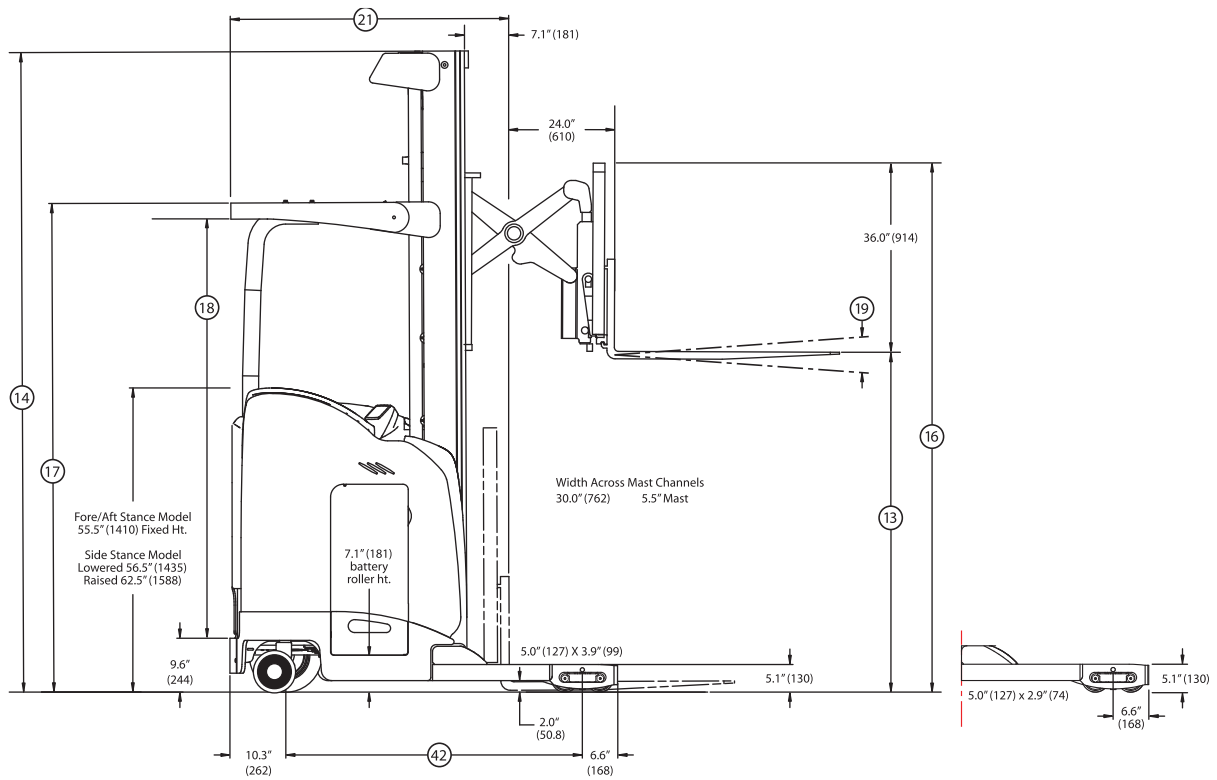
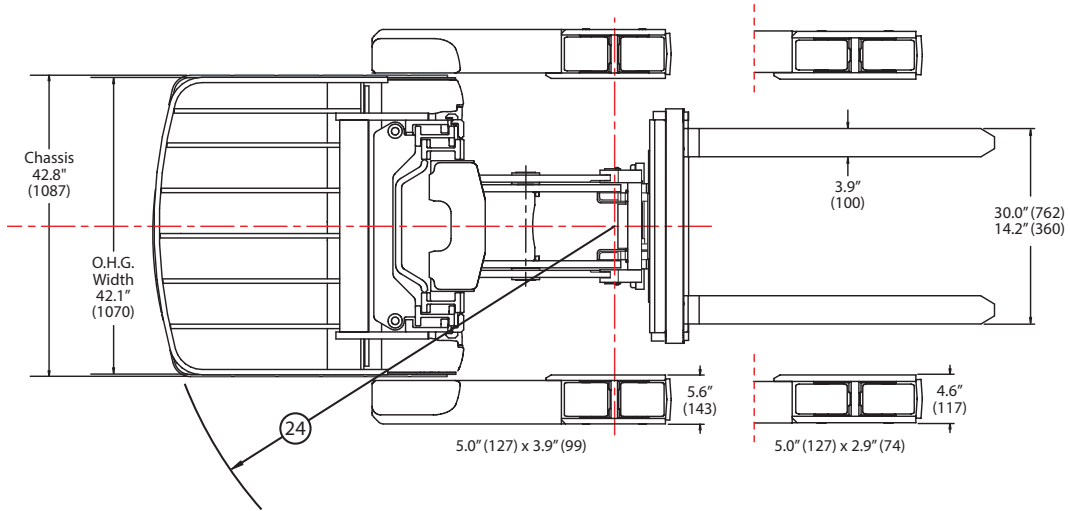
† Travel Speed will be reduced to 6.8 / 5.8 (Empty / Rated Load) with MFHs above 341" in the Rearward and Forward direction. 8.0 mph travel speed is limited to Load up to 2500 lbs.

SWB = Short Wheel Base (with mast over 332" MFH); LWB = Long Wheel Base

**CERTIFICATION:** These Hyster lift trucks meet design specifications of Part II ANSI B56.1-1969, as required by OSHA Section 1910.178(a)(2) and also comply with Part III ANSI B56.1-revision in effect at time of manufacture. Certification of compliance with the applicable ANSI standards appears on the lift truck.

**NOTE:** Performance specifications / ratings are for truck equipped as described under Standard Equipment in this Technical Guide. Performance specifications are affected by the condition of the vehicle and how it is equipped, as well as by the nature and condition of the operating area. Specifications are subject to change and the proposed application should be discussed with Adaptalift Hyster.

# N35-40ZRS DIMENSIONS



Circled dimensions correspond to the line numbers on the tabulated chart inside the Technical Guide. Dimensions are in inches (millimeters).

# N35-40ZRS SPECIFICATIONS

GENERAL	1	Manufacturer Name	Hyster Company		Hyster Company		Hyster Company		Hyster Company		
	2	Model	N35ZRS		N35ZRS		N40ZRS		N40ZRS		
	3	Wheel Base Designation	SWB		SWB		SWB		SWB		
	4	Rated Capacity	lb. (kg)	3500 (1588)		3500 (1588)		4000 (1814)		4000 (1814)	
	5	Load Center, Distance	in. (mm)	24 (610)		24 (610)		24 (610)		24 (610)	
	6	Power Type - Electric, Diesel, LPG		Electric - 24 volt		Electric - 36 volt		Electric - 24 volt		Electric - 36 volt	
	7	Operator Type		Stand		Stand		Stand		Stand	
	8	Tire Type - Load/Caster/Drive		Poly / Poly / Rubber		Poly / Poly / Rubber		Poly / Poly / Rubber		Poly / Poly / Rubber	
	9	Wheels, Number Load/Drive (x=driven)		4 / 2 (1x)		4 / 2 (1x)		4 / 2 (1x)		4 / 2 (1x)	
WT.	10	Truck Weight, without Battery (approximate)	lb.	4950		4950		5000		5000	
	11	Axle Loading - Front/Rear with Carriage Extended **	lb.	Front	Rear	Front	Rear	Front	Rear	Front	Rear
DIMENSIONS	12			6750	3800	6750	3800	7400	3700	7400	3700
	13	Height, Standard Lift (TOF)	in. (mm)	See Mast Table		See Mast Table		See Mast Table		See Mast Table	
	14	Height, Standard mast Lowered (OALH)	in. (mm)								
	15	Height, Freelif (TOF)	in. (mm)								
	16	Height, Standard Mast Extended w/LBR	in. (mm)								
	17	Height, Top of OHG	in. (mm)	3 / 4		3 / 4		3 / 4		3 / 4	
	18	Height, Operator Clearance	in. (mm)	34"- 49" (1" increments)		34"- 49" (1" increments)		34"- 49" (1" increments)		34"- 49" (1" increments)	
	19	Mast Tilt Angle, Forward/Back	degrees°	39.0 x 12.5 x 31.5		39.0 x 12.5 x 31.5		39.0 x 12.5 x 31.5		39.0 x 12.5 x 31.5	
	20	Forks, Standard (Length x Width x Thickness)	in.	1.6 x 3.9 x 42		1.6 x 3.9 x 42		1.8 x 3.9 x 42		1.8 x 3.9 x 42	
	21	Headlength to Face of Forks - All Battery Compartments ***	in. (mm)	See Mast Table		See Mast Table		See Mast Table		See Mast Table	
22	Basearm OEC	in.	39.0 x 14.5 x 31.5		39.0 x 14.5 x 31.5		39.0 x 14.5 x 31.5		39.0 x 14.5 x 31.5		
PERFORMANCE	23	Battery Compartment Size, 12.5" Battery Compartment - (LxWxH)	in.	39.0 x 16.5 x 31.5		39.0 x 16.5 x 31.5		39.0 x 16.5 x 31.5		39.0 x 16.5 x 31.5	
	24	Battery Compartment Size, 14.5" Battery Compartment - (LxWxH)	in.	65.74		65.74		65.74		65.74	
	25	Battery Compartment Size, 16.5" Battery Compartment - (LxWxH)	in.	65.74		65.74		65.74		65.74	
	26	Turning Radius - minimum outside, 12.5" Battery Compartment	in.	67.74		67.74		67.74		67.74	
	27	Turning Radius - minimum outside, 14.5" Battery Compartment	in.	See "RAS" Table		See "RAS" Table		See "RAS" Table		See "RAS" Table	
	28	Turning Radius - minimum outside, 16.5" Battery Compartment	in.	Yes		Yes		Yes		Yes	
	29	Aisle Width - Zero Clearance - Right Angle Stack	see chart	6.5/6.5		6.7/6.5		6.5/6.5		6.7/6.5	
	30	Stability - Comply with ANSI		6.5/6.5		6.7/6.5		6.5/6.0		6.7/6.0	
	31	Travel Speed, Rearward (chassis first) - Empty/RL	mph	60		75		60		75	
	32	Travel Speed, Forward (forks first) - Empty/RL	mph	46		54		46		54	
WHEELS & TIRES	33	Lift Speeds, Empty	ft./min	43		50		43		50	
	34	Lift Speeds, 2,000 lb.	ft./min	40		47		40		47	
	35	Lift Speeds, 3,000 lb.	ft./min	N/A		N/A		38		45	
	36	Lift Speeds, 4,000 lb.	ft./min	N/A		N/A		N/A		N/A	
	37	Lift Speeds, 4,500 lb.	ft./min	85		85		85		85	
	38	Lowering Speeds, Empty	ft./min	85		85		85		85	
	39	Lowering Speeds, RL	ft./min	85		85		85		85	
	40	Size - Front Load Wheels, Standard		5 x 3.9		5 x 3.9		5 x 3.9		5 x 3.9	
	41			Drive	Caster	Drive	Caster	Drive	Caster	Drive	Caster
	42	Size, Standard - Drive Tire/Dual Casters		12.0 x 5.5	7.9 x 2.2	12.0 x 5.5	7.9 x 2.2	12.0 x 5.5	7.9 x 2.2	12.0 x 5.5	7.9 x 2.2
ELECTRIC	43	Wheelbase - 12.5" Battery Compartment	in.	55.35		55.35		55.35		55.35	
	44	Wheelbase - 14.5" Battery Compartment	in.	55.35		55.35		55.35		55.35	
	45	Wheelbase - 16.5" Battery Compartment	in.	57.36		57.36		57.36		57.36	
	46	Brakes, Method of Control - Service/Parking		Foot		Foot		Foot		Foot	
	47	Brakes, Method of Operation - Service/Parking		Spring Apply / Electric Release		Spring Apply / Electric Release		Spring Apply / Electric Release		Spring Apply / Electric Release	
	48	Battery Type		Lead Acid		Lead Acid		Lead Acid		Lead Acid	
49	Traction Motor Rating (60 minute rating)	hp (kw)	7.5 (5.6)		7.5 (5.6)		7.5 (5.6)		7.5 (5.6)		
50	Hoist Motor Rating (5 minute rating)	hp (kw)	14.8 (11.0)		14.8 (11.0)		14.8 (11.0)		14.8 (11.0)		
51	Traction Motor Control Method		Transistor		Transistor		Transistor		Transistor		
52	Hoist Motor Control Method		Transistor		Transistor		Transistor		Transistor		
53	Number of Speeds		Infinitely Variable		Infinitely Variable		Infinitely Variable		Infinitely Variable		

SWB = Short Wheel Base

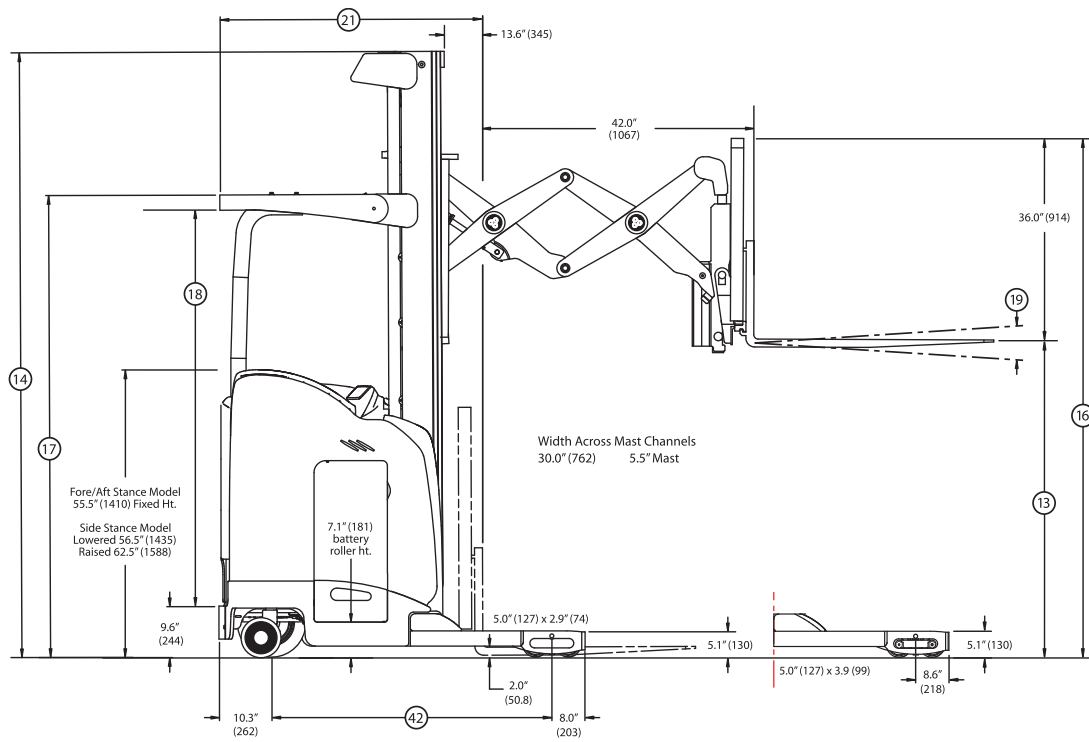
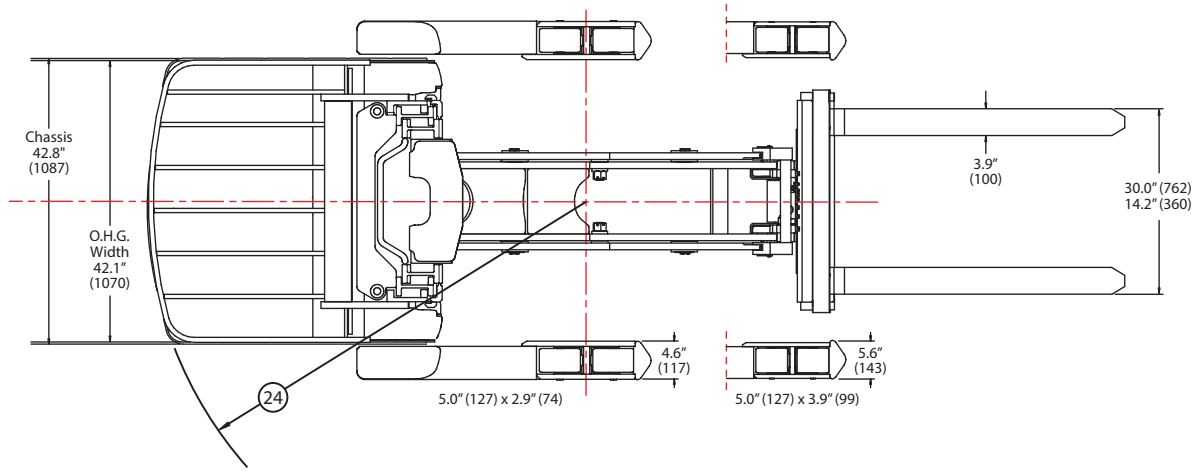
\*\* Static with Rated Load and Max. Wt. Battery

\*\*\* Add 1" for Sideshift

**CERTIFICATION:** These Hyster lift trucks meet design specifications of Part II ANSI B56.1-1969, as required by OSHA Section 1910.178(a)(2) and also comply with Part III ANSI B56.1-revision in effect at time of manufacture. Certification of compliance with the applicable ANSI standards appears on the lift truck.

**NOTE:** Performance specifications / ratings are for truck equipped as described under Standard Equipment in this Technical Guide. Performance specifications are affected by the condition of the vehicle and how it is equipped, as well as by the nature and condition of the operating area. Specifications are subject to change and the proposed application should be discussed with Adaptalift Hyster.

# N30ZDRS DIMENSIONS



Circled dimensions correspond to the line numbers on the tabulated chart inside the Technical Guide. Dimensions are in inches (millimeters).

# N30ZDRS SPECIFICATIONS

		GENERAL		WT.		
1	Manufacturer Name	Hyster Company		Hyster Company		
2	Model	N30ZDRS		N30ZDRS		
3	Wheel Base Designation	LWB		LWB		
4	Rated Capacity	lb. (kg)	3000 (1361)	3000 (1361)		
5	Load Center, Distance	in. (mm)	24 (610)	24 (610)		
6	Power Type - Electric, Diesel, LPG	Electric - 24 volt		Electric - 36 volt		
7	Operator Type	Stand		Stand		
8	Tire Type - Load/Caster/Drive	Poly / Poly / Rubber		Poly / Poly / Rubber		
9	Wheels, Number Load/Drive (x=driven)	4 / 2 (1x)		4 / 2 (1x)		
10	Truck Weight, without Battery (approximate)	lb.	5250		5250	
11			Front	Rear	Front	
12	Axle Loading - Front/Rear with Carriage Extended **	lb.	6300	4050	6300	
13	Height, Standard Lift (TOF)	in. (mm)	See Mast Table		See Mast Table	
14	Height, Standard mast Lowered (OALH)	in. (mm)				
15	Height, Freelifft (TOF)	in. (mm)				
16	Height, Standard Mast Extended w/LBR	in. (mm)				
17	Height, Top of OHG	in. (mm)				
18	Height, Operator Clearance	in. (mm)	3 / 4		3 / 4	
19	Mast Tilt Angle, Forward/Back	degrees°				
20	Forks, Standard (Length x Width x Thickness)	in.	1.6 x 3.9 x 42		1.6 x 3.9 x 42	
21	Headlength to Face of Forks - All Battery Compartments ***	in. (mm)	See Mast Table		See Mast Table	
22	Basearm OEC	in.	34"- 49" (1" increments)		34"- 49" (1" increments)	
23	Battery Compartment Size, 12.5" Battery Compartment - (LxWxH)	in.	N/A		N/A	
	Battery Compartment Size, 14.5" Battery Compartment - (LxWxH)	in.	39.0 x 14.5 x 31.5		39.0 x 14.5 x 31.5	
	Battery Compartment Size, 16.5" Battery Compartment - (LxWxH)	in.	39.0 x 16.5 x 31.5		39.0 x 16.5 x 31.5	
24	Turning Radius - minimum outside, 12.5" Battery Compartment	in.	N/A		N/A	
	Turning Radius - minimum outside, 14.5" Battery Compartment	in.	70.74		70.74	
	Turning Radius - minimum outside, 16.5" Battery Compartment	in.	72.74		72.74	
25	Aisle Width - Zero Clearance - Right Angle Stack	see chart	See "RAS" Table		See "RAS" Table	
26	Stability - Comply with ANSI		Yes		Yes	
28	Travel Speed, Rearward (chassis first) - Empty/RL	mph	6.5/6.5		6.7/6.7	
29	Travel Speed, Forward (forks first) - Empty/RL	mph	6.5/6.5		6.7/6.7	
31	Lift Speeds, Empty	ft./min	60		75	
32	Lift Speeds, 2,000 lb.	ft./min	44		51	
33	Lift Speeds, 3,000 lb.	ft./min	40		47	
34	Lift Speeds, 3,500 lb.	ft./min	N/A		N/A	
35	Lift Speeds, 4,000 lb.	ft./min	N/A		N/A	
36	Lift Speeds, 4,500 lb.	ft./min	N/A		N/A	
37	Lowering Speeds, Empty	ft./min	85		85	
38	Lowering Speeds, RL	ft./min	85		85	
39	Size - Front Load Wheels, Standard		5 x 2.9		5 x 2.9	
40			Drive	Caster	Drive	Caster
41	Size, Standard - Drive Tire/Dual Casters		12.0 x 5.5	7.9 x 2.2	12.0 x 5.5	7.9 x 2.2
42	Wheelbase - 12.5" Battery Compartment	in.	N/A		N/A	
	Wheelbase - 14.5" Battery Compartment	in.	60.35		60.35	
	Wheelbase - 16.5" Battery Compartment	in.	62.36		62.36	
43	Brakes, Method of Control - Service/Parking		Foot		Foot	
44	Brakes, Method of Operation - Service/Parking		Spring Apply / Electric Release		Spring Apply / Electric Release	
45	Battery Type		Lead Acid		Lead Acid	
46	Traction Motor Rating (60 minute rating)	hp (kw)	7.5 (5.6)		7.5 (5.6)	
47	Hoist Motor Rating (5 minute rating)	hp (kw)	14.8 (11.0)		14.8 (11.0)	
48	Traction Motor Control Method		Transistor		Transistor	
49	Hoist Motor Control Method		Transistor		Transistor	
50	Number of Speeds		Infinitely Variable		Infinitely Variable	

LWB = Long Wheel Base

\*\* Static with Rated Load and Max. Wt. Battery

**CERTIFICATION:** These Hyster lift trucks meet design specifications of Part II ANSI B56.1-1969, as required by OSHA Section 1910.178(a)(2) and also comply with Part III ANSI B56.1-revision in effect at time of manufacture. Certification of compliance with the applicable ANSI standards appears on the lift truck.

**NOTE:** Performance specifications / ratings are for truck equipped as described under Standard Equipment in this Technical Guide. Performance specifications are affected by the condition of the vehicle and how it is equipped, as well as by the nature and condition of the operating area. Specifications are subject to change and the proposed application should be discussed with Adaptalift Hyster.

# BATTERY SPECIFICATIONS

## Right Angle Aisle Stacking

Note: These are "Zero Clearance" aisles and require an additional 6" or more to be added to provide for easier maneuvering.

N35/40ZR					
Truck with 14.5" Battery Compartment and 42" ID					
3 Stage - 4" Between Loads					
Pallet Length (inches)	Pallet Width (inches)				
		36	40	44	48
	36	85	85	85	85
	40	87	87	86	86
	44	92	91	91	90
48	96	96	95	95	

Add 2" for 16.5" Battery Compartment  
Add 1" for Sideshift

N35/40ZRS					
Truck with 12.5" or 14.5" Battery Compartment and 42" ID					
3 Stage - 4" Between Loads					
Pallet Length (inches)	Pallet Width (inches)				
		36	40	44	48
	36	85	85	85	85
	40	87	87	86	86
	44	92	91	91	90
48	96	96	95	95	

Add 2" for 16.5" Battery Compartment; Add 1" for Sideshift

N45ZR					
Truck with 16.5" Battery Compartment and 42" ID					
3 Stage - 4" Between Loads					
Pallet Length (inches)	Pallet Width (inches)				
		36	40	44	48
	36	88	88	87	87
	40	93	92	92	91
	44	97	97	96	96
48	102	101	101	100	

Add 2" for 18.5" Battery Compartment  
Add 5" for 21.5" Battery Compartment  
Add 1" for Sideshift

N30ZDRS					
Truck with 14.5" Battery Compartment and 42" ID					
3 Stage - 4" Between Loads					
Pallet Length (inches)	Pallet Width (inches)				
		36	40	44	48
	36	90	90	90	90
	40	91	91	91	91
	44	95	94	94	93
48	99	99	98	98	

Add 2" for 16.5" Battery Compartment;  
Sideshift is Standard on Double Reach

N30ZDR					
Truck with 14.5" Battery Compartment and 42" ID					
3 Stage - 4" Between Loads					
Pallet Length (inches)	Pallet Width (inches)				
		36	40	44	48
	36	90	90	90	90
	40	91	91	91	91
	44	95	94	94	93
48	99	99	98	98	

Add 2" for 16.5" Battery Compartment  
Sideshift is Standard on Double Reach

N35ZDR					
Truck with 16.5" Battery Compartment and 42" ID					
3 Stage - 4" Between Loads					
Pallet Length (inches)	Pallet Width (inches)				
		36	40	44	48
	36	92	91	91	91
	40	96	96	95	94
	44	101	100	100	99
48	105	105	104	104	

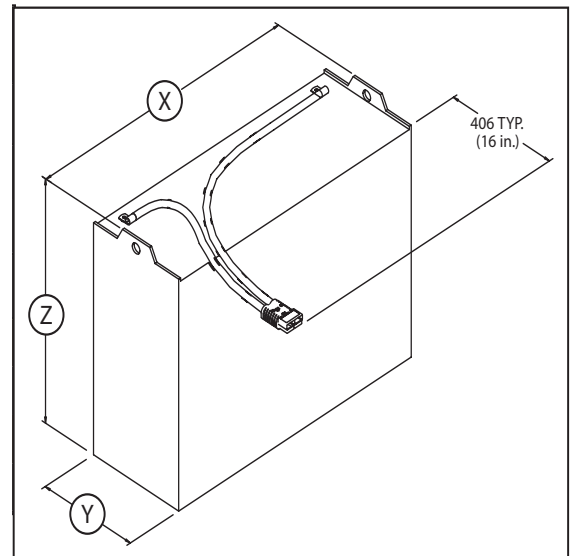
Add 2" for 18.5" Battery Compartment  
Add 5" for 21.5" Battery Compartment  
Sideshift is Standard on Double Reach

## N35-45ZR / N30-35ZDR

Battery and Compartment Specifications											
Battery Specifications											
Battery Compartment Size	Battery Voltage	Maximum 6 Hr Rate		Battery Dimensions						Minimum Batt. Wt.	Maximum Batt. Wt.
				"X" Max.		"Y" Max.		"Z" Max.			
		AH	KWH	in.	(mm)	in.	(mm)	in.	(mm)	lb. (kg)	lb. (kg)
14.5"	36	775	27.2	38.8	(985)	14.25	(362)	31.0	(788)	1600 (726)	2100 (953)
16.5"	36	930	32.6	38.8	(985)	16.25	(413)	31.0	(788)	1850 (839)	2350 (1066)
18.5"	36	1085	38.1	38.8	(985)	18.25	(464)	31.0	(788)	2200 (998)	2800 (1270)
21.5"	36	1240	43.5	38.8	(985)	21.25	(540)	31.0	(788)	2500 (1134)	3100 (1406)

## N35-40ZRS / N30ZDRS

Battery and Compartment Specifications											
Battery Specifications											
Battery Compartment Size	Battery Voltage	Maximum 6 Hr Rate		Battery Dimensions						Minimum Batt. Wt.	Maximum Batt. Wt.
				"X" Max.		"Y" Max.		"Z" Max.			
		AH	KWH	in.	(mm)	in.	(mm)	in.	(mm)	lb. (kg)	lb. (kg)
12.5"	24	1085	25.4	38.8	(985)	12.25	(311)	31.0	(788)	1400 (635)	1900 (862)
14.5"	24	1240	29.0	38.8	(985)	14.25	(362)	31.0	(788)	1600 (726)	2100 (953)
14.5"	36	775	27.2	38.8	(985)	14.25	(362)	31.0	(788)	1600 (726)	2100 (953)
16.5"	24	1395	32.6	38.8	(985)	16.25	(413)	31.0	(788)	1850 (839)	2350 (1066)
16.5"	36	930	32.6	38.8	(985)	16.25	(413)	31.0	(788)	1850 (839)	2350 (1066)



# MAST SPECIFICATIONS

## N35-40ZR/N30ZDR MAST DIMENSIONS (5.5" STANDARD DUTY)

Maximum Fork Ht. (TOF) in. (mm)	Overall Lowered Height in. (mm)	Overall Height (Mast Extended) Highest Point w/ 36" Load Backrest in. (mm)	Free-Lift (TOF) in. (mm)	Overhead Guard Height to Top in. (mm)	Operator Clearance in. (mm)	Head Length (Length to Face of Forks)			
						14.5" B.C.		16.5" B.C.	
						Single Reach	Double Reach	Single Reach	Double Reach
<b>3-STAGE FULL FREE-LIFT (FFL) VISTA MAST</b>									
191 (4851)	87 (2210)	230 (5842)	48 (1219)	86.5 (2197)	75.3 (1913)	52.12	58.02	54.12	60.02
203 (5156)	91 (2311)	242 (6147)	52 (1321)	90.5 (2299)	79.3 (2014)	52.12	58.02	54.12	60.02
212 (5385)	95 (2413)	251 (6375)	56 (1422)	94.5 (2400)	83.3 (2116)	52.12	58.02	54.12	60.02
227 (5766)	101 (2565)	266 (6756)	62 (1575)	91 (2311)	79.8 (2027)	52.12	58.02	54.12	60.02
242 (6147)	107 (2718)	281 (7137)	68 (1727)	91 (2311)	79.8 (2027)	52.12	58.02	54.12	60.02
251 (6375)	110 (2794)	290 (7366)	71 (1803)	91 (2311)	79.8 (2027)	52.12	58.02	54.12	60.02
272 (6909)	119 (3023)	311 (7899)	80 (2032)	91 (2311)	79.8 (2027)	52.12	58.02	54.12	60.02

## N45ZR/N35ZDR MAST DIMENSIONS (5.5" HEAVY DUTY)

Maximum Fork Ht. (TOF) in. (mm)	Overall Lowered Height in. (mm)	Overall Height (Mast Extended) Highest Point w/ 36" Load Backrest in. (mm)	Free-Lift (TOF) in. (mm)	Overhead Guard Height to Top in. (mm)	Operator Clearance in. (mm)	Head Length (Length to Face of Forks)					
						16.5" B.C.		18.5" B.C.		21.5" B.C.	
						Single Reach	Double Reach	Single Reach	Double Reach	Single Reach	Double Reach
<b>3-STAGE FULL FREE-LIFT (FFL) VISTA MAST</b>											
212 (5385)	95 (2413)	251 (6375)	56 (1422)	94.5 (2400)	83.3 (2116)	57.47	63.38	59.47	65.38	62.47	68.38
224 (5690)	101 (2565)	263 (6680)	62 (1575)	91 (2311)	79.8 (2027)	57.47	63.38	59.47	65.38	62.47	68.38
239 (6071)	107 (2718)	278 (7061)	68 (1727)	91 (2311)	79.8 (2027)	57.47	63.38	59.47	65.38	62.47	68.38
245 (6223)	110 (2794)	284 (7214)	71 (1803)	91 (2311)	79.8 (2027)	57.47	63.38	59.47	65.38	62.47	68.38
266 (6756)	119 (3023)	305 (7747)	80 (2032)	91 (2311)	79.8 (2027)	57.47	63.38	59.47	65.38	62.47	68.38
278 (7061)	125 (3175)	317 (8052)	86 (2184)	91 (2311)	79.8 (2027)	57.47	63.38	59.47	65.38	62.47	68.38
293 (7442)	131 (3327)	332 (8433)	92 (2337)	91 (2311)	79.8 (2027)	57.47	63.38	59.47	65.38	62.47	68.38

## N45ZR/N35ZDR MAST DIMENSIONS (6.9")

Maximum Fork Ht. (TOF) in. (mm)	Overall Lowered Height in. (mm)	Overall Height (Mast Extended) Highest Point w/ 36" Load Backrest in. (mm)	Free-Lift (TOF) in. (mm)	Overhead Guard Height to Top in. (mm)	Operator Clearance in. (mm)	Head Length (Length to Face of Forks)					
						16.5" B.C.		18.5" B.C.		21.5" B.C.	
						Single Reach	Double Reach	Single Reach	Double Reach	Single Reach	Double Reach
<b>3-STAGE FULL FREE-LIFT (FFL) VISTA MAST</b>											
272 (6909)	119 (3023)	311 (7899)	80 (2032)	91 (2311)	79.8 (2027)	57.59	63.50	59.60	65.50	62.59	68.50
287 (7290)	125 (3175)	326 (8280)	86 (2184)	91 (2311)	79.8 (2027)	57.59	63.50	59.60	65.50	62.59	68.50
302 (7671)	131 (3327)	341 (8661)	92 (2337)	91 (2311)	79.8 (2027)	57.59	63.50	59.60	65.50	62.59	68.50
320 (8128)	138 (3505)	359 (9119)	99 (2515)	91 (2311)	79.8 (2027)	57.59	63.50	59.60	65.50	62.59	68.50
332 (8433)	143 (3632)	371 (9423)	104 (2642)	91 (2311)	79.8 (2027)	57.59	63.50	59.60	65.50	62.59	68.50
341 (8661)	146 (3708)	380 (9652)	107 (2718)	91 (2311)	79.8 (2027)	57.59	63.50	59.60	65.50	62.59	68.50
368 (9347)	157 (3988)	407 (10338)	118 (2997)	91 (2311)	79.8 (2027)	57.59	63.50	59.60	65.50	62.59	68.50
401 (10185)	170 (4318)	440 (11176)	131 (3327)	91 (2311)	79.8 (2027)	57.59	63.50	59.60	65.50	62.59	68.50
422 (10719)	179 (4547)	461 (11709)	140 (3556)	91 (2311)	79.8 (2027)	57.59	63.50	59.60	65.50	62.59	68.50

## N35-40ZRS/N30ZDRS MAST DIMENSIONS (5.5" STANDARD DUTY)

Maximum Fork Ht. (TOF) in. (mm)	Overall Lowered Height in. (mm)	Overall Height (Mast Extended) Highest Point w/ 36" Load Backrest in. (mm)	Free-Lift (TOF) in. (mm)	Overhead Guard Height to Top in. (mm)	Operator Clearance in. (mm)	Head Length (Length to Face of Forks)			
						12.5", 14.5" B.C.		16.5" B.C.	
						Single Reach	Double Reach	Single Reach	Double Reach
<b>3-STAGE FULL FREE-LIFT (FFL) VISTA MAST</b>									
191 (4851)	87 (2210)	230 (5842)	48 (1219)	86.5 (2197)	75.3 (1913)	52.12	58.02	54.12	60.02
203 (5156)	91 (2311)	242 (6147)	52 (1321)	90.5 (2299)	79.3 (2014)	52.12	58.02	54.12	60.02
212 (5385)	95 (2413)	251 (6375)	56 (1422)	94.5 (2400)	83.3 (2116)	52.12	58.02	54.12	60.02
227 (5766)	101 (2565)	266 (6756)	62 (1575)	91 (2311)	79.8 (2027)	52.12	58.02	54.12	60.02
242 (6147)	107 (2718)	281 (7137)	68 (1727)	91 (2311)	79.8 (2027)	52.12	58.02	54.12	60.02
251 (6375)	110 (2794)	290 (7366)	71 (1803)	91 (2311)	79.8 (2027)	52.12	58.02	54.12	60.02
272 (6909)	119 (3023)	311 (7899)	80 (2032)	91 (2311)	79.8 (2027)	52.12	58.02	54.12	60.02

## Branches

### VICTORIA

#### Melbourne - Springvale (Head Office)

📍 1574 Centre Rd  
Springvale, VIC, 3171  
☎ [03] 9547 8000

#### Melbourne - Truganina

📍 42-44 Jessica Way  
Truganina, VIC, 3029  
☎ [03] 9394 4090

### NEW SOUTH WALES

#### Sydney (State Office)

📍 219 Newton Rd  
Wetherill Park, NSW, 2164  
☎ [02] 8788 1777

#### Port Kembla

📍 20-26 Flinders Street  
Port Kembla, NSW, 2505  
☎ 13 22 54

### QUEENSLAND

#### Brisbane (State Office)

📍 11 Lombank Street  
Acacia Ridge, QLD, 4110  
☎ [07] 3373 5111

#### Rockhampton

📍 62 Glenmore Road  
Park Avenue, Rockhampton  
QLD 4701  
☎ [07] 4922 8874

#### Townsville

📍 39 Duckworth Street  
Garbutt, QLD, 4814  
☎ [07] 4778 2000

### SOUTH AUSTRALIA/ NORTHERN TERRITORY

#### Adelaide (State Office)

📍 18-22 Churchill Rd. Nth.  
Dry Creek, SA, 5094  
☎ [08] 8360 3444

### WESTERN AUSTRALIA

#### Perth (State Office)

📍 Unit 1, 1-9 Kurnall Road  
Welshpool, WA, 6106  
☎ [08] 9352 9200

#### Karratha

📍 Lot 3873-Pemberton Road  
Karratha, WA, 6714  
☎ 13 22 54

### TASMANIA

#### Spreyton

📍 87a Devonport Road  
Spreyton, TAS, 7310  
☎ [03] 6427 3966

## Service Centres

### VICTORIA

Bendigo  
Warrnambool  
Ballarat  
Shepparton  
Wondonga  
Mildura

### TASMANIA

Hobart  
Launceston  
Burnie

### NEW SOUTH WALES

Dubbo  
Griffith  
Tamworth  
Newcastle  
Wollongong  
Canberra  
Tumut  
Bathurst  
Wagga Wagga  
Albury  
Gosford  
Coffs Harbour

### QUEENSLAND

Rockhampton  
Mackay  
Cairns  
Gladstone  
Townsville  
Mt Isa  
Toowoomba  
Gold Coast  
Sunshine Coast

### SOUTH AUSTRALIA/NT

Riverland  
Darwin

### WESTERN AUSTRALIA

Margaret River



# 13 22 54

[www.adaptalift.com.au](http://www.adaptalift.com.au)