

adaptalift **GROUP**



HYSTER

LITHIUM-ION POWERED PALLET TRUCK

PC1.5 / 1500 KG

13 22 54 | www.adaptalift.com.au

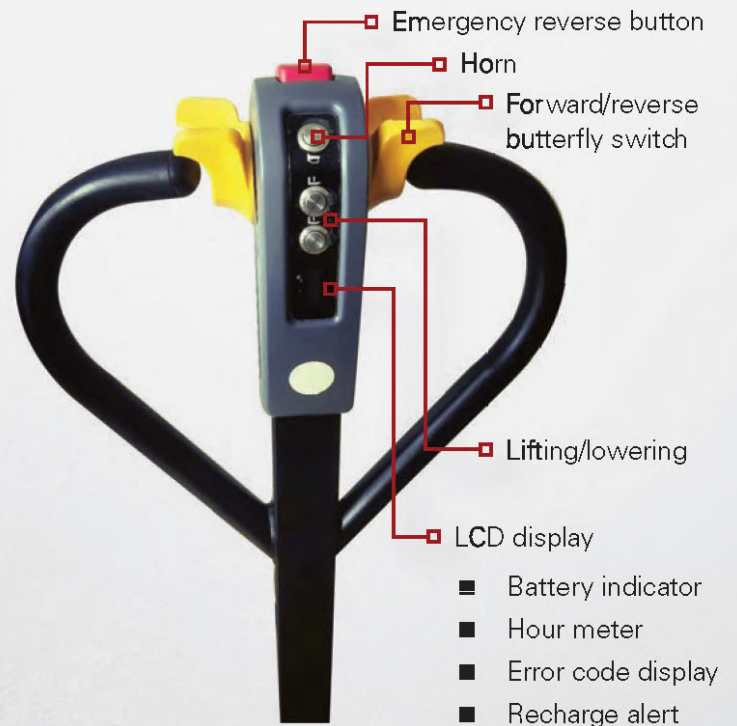
> OVERVIEW

PC1.5

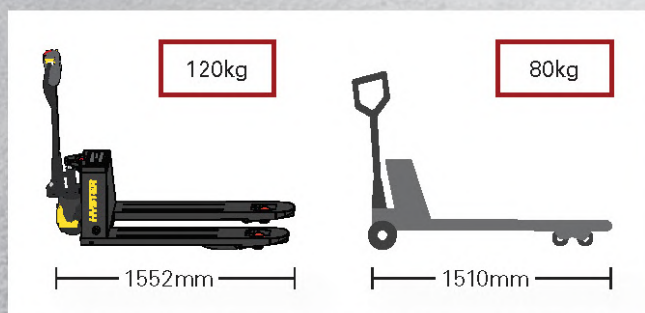
THE HYSTER® LITHIUM-ION POWERED PALLET TRUCK PC1.5 OFFERS IMPROVED EFFICIENCY, REDUCED STRAIN ON OPERATORS AND AN EXCELLENT COST OF OWNERSHIP. COMPACT AND LIGHTWEIGHT, WITH MINIMAL MAINTENANCE REQUIREMENTS, SIMILAR TO A HAND PALLET TRUCK. THE PC1.5 CAN WORK AT THREE TIMES THE INTENSITY AND WITH A 6-SECOND BATTERY EXCHANGE TIME, IS IDEAL FOR CONTINUOUS OPERATIONS.

Productivity ————— Cost of Ownership Delivered ————— Reliable

- Compact and lightweight design
- Powered travelling, lifting and lowering
- Efficiency is tripled over a hand pallet truck
- 6-second battery exchange; suitable for continuous operations
- Intelligent Remote Control key option (Standard for Australia)
- Re-charge alert
- Optional large battery with 3-hour fast charger
- Emergency reverse “belly” button
- Ergonomic, multi-function handle with LCD display to maximise uptime
- Easy and simple to maintain
- Maintenance free components; brushless drive motor and lithium-ion battery
- 60-second drive wheel replacement
- Durable steel frame and protective cover
- Performs well on gradients



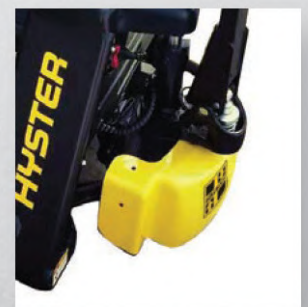
> POWERED PALLET TRUCK VS. HAND PALLET TRUCK



Compact and Lightweight



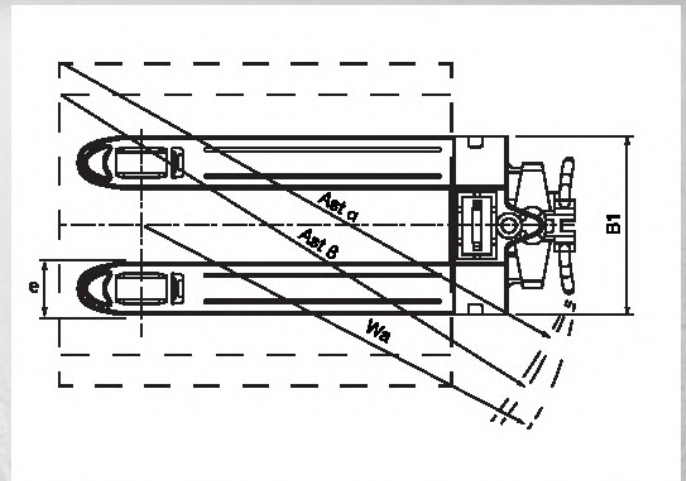
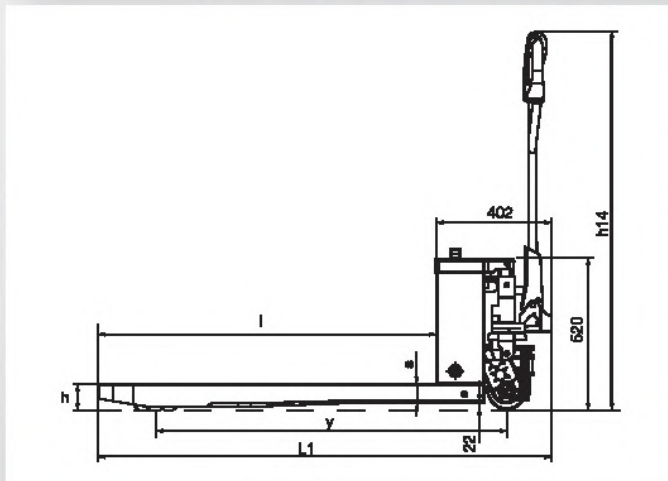
Single/Dual Tandem Load Wheels



Protective Cover

> SPECIFICATIONS AND DIMENSIONS

MANUFACTURER	MEASUREMENT	HYSTER	
Model designation		PC1.5	
Operator type		Pedestrian	
Rated capacity	Q (kg)	1500	
Load center	c (mm)	600	
Overall fork width	B1 (mm)	550 / 685	
Fork dimensions	s x e x l (mm)	58 x 160 x 1150	58 x 160 x 1220
Wheelbase	y (mm)	1197	1267
Overall length	L1 (mm)	1552	1622
Turning radius	Wa (mm)	1353	1426
Aisle width for pallets 1000 x 1200 crossways / 800 x 1200 lengthways	AST α / β (mm)	1718 / 1687	
Lowered height - top of forks	h (mm)	82	
Total lift	h3 (mm)	115	
Height of tiller (min. / max.)	h14 (mm)	820 / 1150	
Maximum gradeability (laden / unladen)	%	6% / 20%	
Travel speed (laden / unladen)	Km / h	4.0 / 4.5	
Control type		DC	
Drive / lift motor	Kw	0.75 / 0.5	
Lift speed - laden / unladen (lowering speed - laden / unladen)	m / s	0.018 / 0.023 (0.056 x 0.046)	
Travel brake type		Regenerative	
Service brake type		Electromagnetic	
Service weight (inc. battery)	Kg	120	125
Axle loading laden front / rear (unladen front / rear)	Kg	1134 / 486 (88 / 32)	
Drive wheel x(1)		Ø140 x 55 Poly	
Load wheel (single x(2) / dual x(4))		Ø80 x 93 Poly / Ø80 x 70 Poly	
Battery type		Lithium	
Battery capacity	Ah	10 / 15	
Battery voltage	V	48	
Power Consumption in accordance with VDI cycle	kWh / h	0.42	
Sound level at driver's ear EN12053	dB(A)	69	



> OPERATOR ASSIST FEATURES

Hold down horn, X2 forward

Speed Setting

Convenient fast / slow pre-set speeds

Press and hold: reverse button + forward throttle, power on

Up-Right Drive

Maximise efficiency in tight spaces

Hold down horn, power on

Service Mode

Utilise brake release in emergencies

Branches

VICTORIA

Melbourne - Springvale (Head Office)

📍 1574 Centre Rd
Springvale, VIC, 3171
☎ [03] 9547 8000

Melbourne - Truganina

📍 501 Robinsons Rd
Truganina, VIC, 3029
☎ [03] 9394 4000

NEW SOUTH WALES

Sydney (State Office)

📍 219 Newton Rd
Wetherill Park, NSW, 2164
☎ [02] 8788 1777

Port Kembla

📍 20-26 Flinders Street
Port Kembla, NSW, 2505
☎ 13 22 54

QUEENSLAND

Brisbane (State Office)

📍 11 Lombank Street
Acacia Ridge, QLD, 4110
☎ [07] 3373 5111

Rockhampton

📍 62 Glenmore Road
Park Avenue, Rockhampton
QLD 4701
☎ [07] 4922 8874

Townsville

📍 39 Duckworth Street
Garbutt, QLD, 4814
☎ [07] 4778 2000

SOUTH AUSTRALIA/ NORTHERN TERRITORY

Adelaide (State Office)

📍 18-22 Churchill Rd. Nth.
Dry Creek, SA, 5094
☎ [08] 8360 3444

WESTERN AUSTRALIA

Perth (State Office)

📍 Unit 1, 1-9 Kurnall Road
Welshpool, WA, 6106
☎ [08] 9352 9200

Karratha

📍 Lot 3873-Pemberton Road
Karratha, WA, 6714
☎ 13 22 54

TASMANIA

Spreyton

📍 87a Devonport Road
Spreyton, TAS, 7310
☎ [03] 6427 3966

Service Centres

VICTORIA

Bendigo
Warrnambool
Ballarat
Shepparton
Wondonga
Mildura

TASMANIA

Hobart
Launceston
Burnie

NEW SOUTH WALES

Dubbo
Griffith
Tamworth
Newcastle
Wollongong
Canberra
Tumut
Bathurst
Wagga Wagga
Albury
Gosford
Coffs Harbour

QUEENSLAND

Rockhampton
Mackay
Cairns
Gladstone
Townsville
Mt Isa
Toowoomba
Gold Coast
Sunshine Coast

SOUTH AUSTRALIA/NT

Riverland
Darwin

WESTERN AUSTRALIA

Margaret River