



**STRONG PARTNERS.
TOUGH TRUCKS.™**

FORTENS™



IC COUNTERBALANCED LIFT TRUCKS

H2.0-3.5FT FORTENS / FORTENS ADVANCE / FORTENS ADVANCE+



2000-3500 KG

FORTENS H2.0FT, H2.5FT, H3.0FT, H3.5FT

DISTINGUISHING MARK	1.1	Manufacturer (abbreviation)						
	1.2	Manufacturer's type designation						
		Model						
		Engine / transmission						
		Brake type						
	1.3	Drive: electric (battery or mains), diesel, petrol, fuel gas						
	1.4	Operator type: hand, pedestrian, standing, seated, order-pickler						
	1.5	Rated capacity/rated load	Q (t)					
	1.6	Load centre distance	c (mm)					
1.8	Load distance, centre of drive axle to fork	x (mm)						
1.9	Wheelbase	y (mm)						
WEIGHTS	2.1	Service weight	kg					
	2.2	Axle loading laden, front/rear	kg					
	2.3	Axle loading unladen, front/rear	kg					
TYRES/CHASSIS	3.1	Tyres: L=pneumatic, V=solid, SE=pneumatic-shaped solid						
	3.2	Tyre size, front						
	3.3	Tyre size, rear						
	3.5	Number of wheels, front/rear (X = driven)						
	3.6	Tread, front	b ₁₀ (mm)					
	3.7	Tread, rear	b ₁₁ (mm)					
	DIMENSIONS	4.1	Tilt of mast/fork carriage forward/backward	α/β (°)				
4.2		Height of mast, lowered	h ₁ (mm)					
4.3		Free lift, ¶	h ₂ (mm)					
4.4		Lift ¶	h ₃ (mm)					
4.5		Height of mast, extended +	h ₄ (mm)					
4.7		Height of overhead guard (cabin) ■	h ₅ (mm)					
4.7.1		Cab height (open cab)	mm					
4.8		Seat height relating to SIP/stand height ○	h ₇ (mm)					
4.12		Coupling height	h ₁₀ (mm)					
4.19		Overall length	l ₁ (mm)					
4.20		Length to face of forks	l ₂ (mm)					
4.21		Overall width ◊	b ₁ /b ₂ (mm)					
4.22		Fork dimensions DIN ISO 2331	s/e/l (mm)					
4.23		Fork carriage ISO 2328, class/type A, B						
4.24		Fork carriage width ●	b ₃ (mm)					
4.31		Ground clearance, laden, below mast	m ₁ (mm)					
4.32		Ground clearance, centre of wheelbase	m ₂ (mm)					
4.34.1		Aisle width for pallets 1000 × 1200 crossways ◆	Ast (mm)					
4.34.2		Aisle width for pallets 800 × 1200 lengthways ◆	Ast (mm)					
4.35		Turning radius	W ₁ (mm)					
4.36		Internal turning radius	b ₁₃ (mm)					
4.41		90° intersecting aisle (with pallet W = 1200mm, L = 1000mm)						
4.42		Step height (from ground to running board)	(mm)					
4.43		Step height (between intermediate steps between running board and floor)	(mm)					
PERFORMANCE DATA	5.1	Travel speed, laden/unladen	km/h					
	5.1.1	Travel speed, laden/unladen, backwards	km/h					
	5.2	Lift speed, laden/unladen	m/s					
	5.3	Lowering speed, laden/unladen	m/s					
	5.5	Drawbar pull, laden/unladen †	N					
	5.7	Gradeability, laden/unladen ††	%					
	5.9	Acceleration time, laden/unladen	sec					
	5.10	Service brake						
	COMBUSTION ENGINE	7.1	Engine manufacturer/type					
		7.2	Engine power according to ISO 1585	kW				
7.3		Rated speed	rpm					
7.4		Number of cylinders/displacement	cm ³					
7.5		Fuel consumption according to VDI cycle ^	l/h or kg/h					
ADDITIONAL DATA	8.1	Type of drive unit						
	10.1	Operating pressure for attachments	bar					
	10.2	Oil volume for attachments ◊	l/min					
	10.3	Hydraulic oil tank, capacity	litres					
	10.4	Fuel tank, capacity	litres					
	10.7	Sound pressure level at the driver's seat ◊	dB(A)					
	10.7.2	Guaranteed sound power 2001/14/EC						
	10.8	Towing coupling type						

Specification data is based on VDI 2198.

EQUIPMENT AND WEIGHT:

Weights (line 2.1) are based on the following specifications: Complete truck with 3 290 mm (H2.0-2.5FT) / 3 105 mm (H3.0-H3.5FT) 2-stage limited free lift mast, standard carriage and 1 000 mm forks with manual hydraulics, overhead guard and standard pneumatic shaped solid drive and steer tyres.

HYSTER		HYSTER		HYSTER		HYSTER		HYSTER		HYSTER		
H2.5FT		H3.0FT		H3.0FT		H3.0FT		H3.5FT		H3.5FT		1.2
Fortens		Fortens		Fortens		Fortens		Fortens		Fortens		
Mazda 2.2L** Basic Powershift 1 Speed		Yanmar 2.6L Basic Powershift 1 Speed		Yanmar3.3L* Basic Powershift 1 Speed		Mazda 2.2L** Basic Powershift 1 Speed		Yanmar3.3L* Basic Powershift 1 Speed		Mazda 2.2L Basic Powershift 1 Speed		
Drum Brakes		Drum Brakes		Drum Brakes		Drum Brakes		Drum Brakes		Drum Brakes		
LPG		Diesel		Diesel		LPG		Diesel		LPG		1.3
Seated		Seated		Seated		Seated		Seated		Seated		1.4
2.5		3.0		3.0		3.0		3.5		3.5		1.5
500		500		500		500		500		500		1.6
471		483		483		483		483		483		1.8
1623		1623		1623		1623		1700		1700		1.9

DISTINGUISHING MARK

3853		4437		4437		4329		4754		4646		2.1
5732	621	6662	775	6662	775	6619	710	7336	928	7283	863	2.2
1737	2116	1845	2592	1845	2592	1802	2527	1804	2950	1761	2885	2.3

WEIGHTS

SE		SE		SE		SE		SE		SE		
7.00 X 12 - 12		28 X 9 - 15		28 X 9 - 15		28 X 9 - 15		28 X 9 - 15		28 X 9 - 15		3.1
6.00 X 9		6.50 X 10		6.50 X 10		6.50 X 10		6.50 X 10		6.50 X 10		3.2
2x	2	2x	2	2x	2	2x	2	2x	2	2x	2	3.3
965		965		965		965		965		965		3.5
967		967		967		967		967		967		3.6
967		967		967		967		967		967		3.7

TIRES/CHASSIS

6	5	6	5	6	5	6	5	6	5	6	5	4.1
2170		2195		2195		2195		2195		2195		4.2
140		140		140		140		140		140		4.3
3250		3055		3055		3055		3055		3055		4.4
3900		3805		3805		3805		3805		3805		4.5
2160		2185		2185		2185		2185		2185		4.7
2181		2206		2206		2206		2206		2206		4.7.1
1061		1086		1086		1086		1086		1086		4.8
365		390		390		390		390		390		4.12
3559		3633		3633		3633		3734		3734		4.19
2559		2633		2633		2633		2734		2734		4.20
1157	1317	1601	1186	1321	1601	1186	1321	1601	1186	1321	1601	4.21
40	100	1000	50	120	1000	50	120	1000	50	120	1000	4.22
II A		III A		III A		III A		III A		III A		4.23
1070		1070		1070		1070		1070		1070		4.24
107		132		132		132		132		132		4.31
160		185		185		185		185		185		4.32
3887		3960		3960		3960		4063		4063		4.34.1
4087		4160		4160		4160		4263		4263		4.34.2
2216		2277		2277		2277		2380		2380		4.35
629		618		618		618		647		647		4.36
2020		2077		2077		2077		2111		2111		4.41
707		727		727		727		727		727		4.42
382		407		407		407		407		407		4.43

DIMENSIONS

17.1	18.0	18.2	19.1	20.0	21.1	18.0	19.1	20.0	21.1	18.0	19.1	5.1
17.1	18.0	18.2	19.1	20.0	21.1	18.0	19.1	20.0	21.1	18.0	19.1	5.1.1
0.54	0.57	0.47	0.62	0.60	0.60	0.45	0.50	0.60	0.60	0.49	0.50	5.2
0.58	0.50	0.53	0.47	0.53	0.47	0.53	0.47	0.53	0.47	0.53	0.47	5.3
16857	11450	16354	11708	17600	11100	16274	11708	17450	11000	15735	12594	5.5
16.0	29.0	15.0	26.6	18.7	26.5	14.0	25.0	16.5	24.3	13.5	23.0	5.7
5.6	4.5	6.2	5.3	5.8	4.7	6.0	4.8	6.0	4.8	6.2	4.9	5.9
Hydraulic		Hydraulic		Hydraulic		Hydraulic		Hydraulic		Hydraulic		5.10

PERFORMANCE DATA

Mazda F2		Yanmar 4TNE92		Yanmar 4TNE98		Mazda F2		Yanmar 4TNE98		Mazda F2		7.1
38.0		33.9		43.0		38.0		43.0		38.0		7.2
2700		2700		2600		2700		2600		2700		7.3
4	2184	4	2659	4	3319	4	2184	4	3319	4	2184	7.4
2.7		3.3		3.8		3.0		4.3		3.3		7.5

COMBUSTION ENGINE

Automatic		Automatic		Automatic		Automatic		Automatic		Automatic		8.1
0 - 155		0 - 155		0 - 155		0 - 155		0 - 155		0 - 155		10.1
62		75		75		62		75		62		10.2
45.8		45.8		45.8		45.8		45.8		45.8		10.3
-		52.8		52.8		-		52.8		-		10.4
79		79		79		79		79		79		10.7
102		102		102		102		102		102		10.7.2
Pin		Pin		Pin		Pin		Pin		Pin		10.8

ADDITIONAL DATA

FORTENS ADVANCE H2.0FT, H2.5FT, H3.0FT, H3.5FT

DISTINGUISHING MARK	1.1	Manufacturer (abbreviation)						
	1.2	Manufacturer's type designation						
		Model						
		Engine / transmission						
		Brake type						
	1.3	Drive: electric (battery or mains), diesel, petrol, fuel gas						
	1.4	Operator type: hand, pedestrian, standing, seated, order-pickier						
	1.5	Rated capacity/rated load	Q (t)					
	1.6	Load centre distance	c (mm)					
	1.8	Load distance, centre of drive axle to fork	x (mm)					
1.9	Wheelbase	y (mm)						
WEIGHTS	2.1	Service weight	kg					
	2.2	Axle loading laden, front/rear	kg					
	2.3	Axle loading unladen, front/rear	kg					
TYRES/CHASSIS	3.1	Tyres: L=pneumatic, V=solid, SE=pneumatic-shaped solid						
	3.2	Tyre size, front						
	3.3	Tyre size, rear						
	3.5	Number of wheels, front/rear (X = driven)						
	3.6	Tread, front	b ₁₀ (mm)					
	3.7	Tread, rear	b ₁₁ (mm)					
	DIMENSIONS	4.1	Tilt of mast/fork carriage forward/backward	α/β (°)				
4.2		Height of mast, lowered	h ₁ (mm)					
4.3		Free lift, ¶	h ₂ (mm)					
4.4		Lift ¶	h ₃ (mm)					
4.5		Height of mast, extended +	h ₄ (mm)					
4.7		Height of overhead guard (cabin) ■	h ₅ (mm)					
4.7.1		Cab height (open cab)	mm					
4.8		Seat height relating to SIP/stand height ○	h ₇ (mm)					
4.12		Coupling height	h ₁₀ (mm)					
4.19		Overall length	l ₁ (mm)					
4.20		Length to face of forks	l ₂ (mm)					
4.21		Overall width ◊	b ₁ /b ₂ (mm)					
4.22		Fork dimensions DIN ISO 2331	s/e/l (mm)					
4.23		Fork carriage ISO 2328, class/type A, B						
4.24		Fork carriage width ●	b ₃ (mm)					
4.31		Ground clearance, laden, below mast	m ₁ (mm)					
4.32		Ground clearance, centre of wheelbase	m ₂ (mm)					
4.34.1		Aisle width for pallets 1000 × 1200 crossways ◆	Ast (mm)					
4.34.2		Aisle width for pallets 800 × 1200 lengthways ◆	Ast (mm)					
4.35		Turning radius	W ₁ (mm)					
4.36		Internal turning radius	b ₁₃ (mm)					
4.41		90° intersecting aisle (with pallet W = 1200mm, L = 1000mm)						
4.42		Step height (from ground to running board)	(mm)					
4.43	Step height (between intermediate steps between running board and floor)	(mm)						
PERFORMANCE DATA	5.1	Travel speed, laden/unladen	km/h					
	5.1.1	Travel speed, laden/unladen, backwards	km/h					
	5.2	Lift speed, laden/unladen	m/s					
	5.3	Lowering speed, laden/unladen	m/s					
	5.5	Drawbar pull, laden/unladen †	N					
	5.7	Gradeability, laden/unladen ††	%					
	5.9	Acceleration time, laden/unladen	sec					
	5.10	Service brake						
	COMBUSTION ENGINE	7.1	Engine manufacturer/type					
		7.2	Engine power according to ISO 1585	kW				
7.3		Rated speed	rpm					
7.4		Number of cylinders/displacement	cm ³					
7.5		Fuel consumption according to VDI cycle ^	l/h or kg/h					
ADDITIONAL DATA	8.1	Type of drive unit						
	10.1	Operating pressure for attachments	bar					
	10.2	Oil volume for attachments ◊	l/min					
	10.3	Hydraulic oil tank, capacity	litres					
	10.4	Fuel tank, capacity	litres					
	10.7	Sound pressure level at the driver's seat ◊	dB(A)					
	10.7.2	Guaranteed sound power 2001/14/EC						
	10.8	Towing coupling type						

Specification data is based on VDI 2198.

EQUIPMENT AND WEIGHT:

Weights (line 2.1) are based on the following specifications: Complete truck with 3 290 mm (H2.0-2.5FT) / 3 105 mm (H3.0-H3.5FT) 2-stage limited free lift mast, standard carriage and 1 000 mm forks with e-hydraulics, overhead guard and standard pneumatic shaped solid drive and steer tyres.

HYSTER		HYSTER		HYSTER		HYSTER		HYSTER		1.1
H3.0FT		H3.0FT		H3.5FT		H3.5FT		H3.5FT		1.2
Fortens Advance		Fortens Advance		Fortens Advance		Fortens Advance		Fortens Advance		
Yanmar 2.6L DuraMatch™ 1 Speed		Mazda 2.2L DuraMatch™ 1 Speed		Yanmar 3.3L* DuraMatch™ 1 Speed		Yanmar 3.0L DuraMatch™ 2 Speed		Mazda 2.2L DuraMatch™ 1 Speed		
ADS Drum or Wet Brakes		ADS Drum or Wet Brakes		ADS Drum		Wet Brakes		ADS Drum or Wet Brakes		
Diesel		LPG		Diesel		Diesel		LPG		1.3
Seated		Seated		Seated		Seated		Seated		1.4
3.0		3.0		3.5		3.5		3.5		1.5
500		500		500		500		500		1.6
483		483		483		483		483		1.8
1623		1623		1700		1700		1700		1.9

DISTINGUISHING MARK

4437		4329		4754		4754		4646		2.1
6662	775	6619	710	7336	928	7336	928	7283	863	2.2
1845	2592	1802	2527	1804	2950	1804	2950	1761	2885	2.3

WEIGHTS

SE		SE		SE		SE		SE		3.1
28 X 9 - 15		28 X 9 - 15		28 X 9 - 15		28 X 9 - 15		28 X 9 - 15		3.2
6.50 X 10		6.50 X 10		6.50 X 10		6.50 X 10		6.50 X 10		3.3
2x	2	2x	2	2x	2	2x	2	2x	2	3.5
965		965		965		965		965		3.6
967		967		967		967		967		3.7

TYRES/CHASSIS

6	5	6	5	6	5	6	5	6	5	4.1		
2195		2195		2195		2195		2195		4.2		
140		140		140		140		140		4.3		
3055		3055		3055		3055		3055		4.4		
3805		3805		3805		3805		3805		4.5		
2185		2185		2185		2185		2185		4.7		
2206		2206		2206		2206		2206		4.7.1		
1086		1086		1086		1086		1086		4.8		
390		390		390		390		390		4.12		
3633		3633		3734		3734		3734		4.19		
2633		2633		2734		2734		2734		4.20		
1186	1321	1601	1186	1321	1601	1186	1321	1601	1186	1321	1601	4.21
50	120	1000	50	120	1000	50	120	1000	50	120	1000	4.22
III A		III A		III A		III A		III A		4.23		
1070		1070		1070		1070		1070		4.24		
132		132		132		132		132		4.31		
185		185		185		185		185		4.32		
3960		3960		4063		4063		4063		4.34.1		
4160		4160		4263		4263		4263		4.34.2		
2277		2277		2380		2380		2380		4.35		
618		618		647		647		647		4.36		
2077		2077		2111		2111		2111		4.41		
727		727		727		727		727		4.42		
407		407		407		407		407		4.43		

DIMENSIONS

18.2	19.1	18.0	19.1	20.0	21.1	21.1	21.4	18.0	19.1	5.1
18.2	19.1	18.0	19.1	20.0	21.1	16.2	16.6	18.0	19.1	5.1.1
0.51	0.57	0.48	0.49	0.55	0.55	0.52	0.56	0.48	0.49	5.2
0.53	0.47	0.53	0.47	0.53	0.47	0.53	0.47	0.53	0.47	5.3
16354	11708	16274	11708	17450	11000	19700	11400	15735	12594	5.5
15.0	26.6	14.0	25.0	16.5	24.3	16.1	24.3	13.5	23.0	5.7
6.2	5.3	6.0	4.8	6.0	4.8	6.2	5.3	6.2	4.9	5.9
Hydraulic		Hydraulic		Hydraulic		Hydraulic		Hydraulic		5.10

PERFORMANCE DATA

Yanmar 4TNE92		Mazda F2		Yanmar 4TNE98		Yanmar 4TNE94L		Mazda F2		7.1
33.9		38.0		43.0		34.2		38.0		7.2
2700		2700		2600		2450		2700		7.3
4	2659	4	2184	4	3319	4	3054	4	2184	7.4
3.3		3.0		4.3		3.8		3.3		7.5

COMBUSTION ENGINE

Automatic		Automatic		Automatic		Automatic		Automatic		8.1
0 - 155		0 - 155		0 - 155		0 - 155		0 - 155		10.1
75		62		75		75		62		10.2
45.8		45.8		45.8		45.8		45.8		10.3
52.8		-		52.8		52.8		-		10.4
79		79		79		79		79		10.7
102		102		102		102		102		10.7.2
Pin		Pin		Pin		Pin		Pin		10.8

ADDITIONAL DATA

FORTENS ADVANCE+ H2.0FT, H2.5FT

DISTINGUISHING MARK	1.1	Manufacturer (abbreviation)	
	1.2	Manufacturer's type designation	
		Model	
		Engine / transmission	
		Brake type	
	1.3	Drive: electric (battery or mains), diesel, petrol, fuel gas	
	1.4	Operator type: hand, pedestrian, standing, seated, order-picker	
	1.5	Rated capacity/rated load	Q (t)
	1.6	Load centre distance	c (mm)
	1.8	Load distance, centre of drive axle to fork	x (mm)
1.9	Wheelbase	y (mm)	

WEIGHTS	2.1	Service weight	kg
	2.2	Axle loading laden, front/rear	kg
	2.3	Axle loading unladen, front/rear	kg

TYRES/CHASSIS	3.1	Tyres: L=pneumatic, V=solid, SE=pneumatic-shaped solid	
	3.2	Tyre size, front	
	3.3	Tyre size, rear	
	3.5	Number of wheels, front/rear (X = driven)	
	3.6	Tread, front	b ₁₀ (mm)
	3.7	Tread, rear	b ₁₁ (mm)

DIMENSIONS	4.1	Tilt of mast/fork carriage forward/backward	α/β (°)
	4.2	Height of mast, lowered	h ₁ (mm)
	4.3	Free lift, \uparrow	h ₂ (mm)
	4.4	Lift \uparrow	h ₃ (mm)
	4.5	Height of mast, extended \uparrow	h ₄ (mm)
	4.7	Height of overhead guard (cabin) \blacksquare	h ₅ (mm)
	4.7.1	Cab height (open cab)	mm
	4.8	Seat height relating to SIP/stand height \circ	h ₇ (mm)
	4.12	Coupling height	h ₁₀ (mm)
	4.19	Overall length	l ₁ (mm)
	4.20	Length to face of forks	l ₂ (mm)
	4.21	Overall width \diamond	b ₁ /b ₂ (mm)
	4.22	Fork dimensions DIN ISO 2331	s/e/l (mm)
	4.23	Fork carriage ISO 2328, class/type A, B	
	4.24	Fork carriage width \bullet	b ₃ (mm)
	4.31	Ground clearance, laden, below mast	m ₁ (mm)
	4.32	Ground clearance, centre of wheelbase	m ₂ (mm)
	4.34.1	Aisle width for pallets 1000 x 1200 crossways \blacklozenge	Ast (mm)
	4.34.2	Aisle width for pallets 800 x 1200 lengthways \blacklozenge	Ast (mm)
	4.35	Turning radius	W ₁ (mm)
	4.36	Internal turning radius	b ₁₃ (mm)
	4.41	90° intersecting aisle (with pallet W = 1200mm, L = 1000mm)	
	4.42	Step height (from ground to running board)	(mm)
	4.43	Step height (between intermediate steps between running board and floor)	(mm)

PERFORMANCE DATA	5.1	Travel speed, laden/unladen	km/h
	5.1.1	Travel speed, laden/unladen, backwards	km/h
	5.2	Lift speed, laden/unladen	m/s
	5.3	Lowering speed, laden/unladen	m/s
	5.5	Drawbar pull, laden/unladen \dagger	N
	5.7	Gradeability, laden/unladen $\dagger\dagger$	%
	5.9	Acceleration time, laden/unladen	sec
	5.10	Service brake	

COMBUSTION-ENGINE	7.1	Engine manufacturer/type	
	7.2	Engine power according to ISO 1585	kW
	7.3	Rated speed	rpm
	7.4	Number of cylinders/displacement	cm ³
	7.5	Fuel consumption according to VDI cycle \wedge	l/h or kg/h

ADDITIONAL DATA	8.1	Type of drive unit	
	10.1	Operating pressure for attachments	bar
	10.2	Oil volume for attachments \diamond	l/min
	10.3	Hydraulic oil tank, capacity	litres
	10.4	Fuel tank, capacity	litres
	10.7	Sound pressure level at the driver's seat \diamond	dB(A)
	10.7.1	Sound power level during the workcycle $\diamond\diamond$	dB(A)
	10.7.2	Guaranteed sound power 2001/14/EC	
	10.8	Towing coupling type	

HYSTER		HYSTER		HYSTER		HYSTER	
H2.0FT		H2.0FT		H2.0FT		H2.0FT	
Fortens Advance +		Fortens Advance +		Fortens Advance +		Fortens Advance +	
Yanmar 3.0L Duramatch™ 2 Speed		Yanmar 3.0L Duramatch™ Plus 2 Extended 2 Speed		Kubota 2.5L Duramatch™ 1 Speed		Kubota 2.5L Duramatch™ 2 Speed	
Wet Brakes		Wet Brakes		ADS Drum or Wet Brakes		Wet Brakes	
Diesel		Diesel		LPG		LPG	
Seated		Seated		Seated		Seated	
2.0		2.0		2.0		2.0	
500		500		500		500	
471		471		471		471	
1623		1623		1623		1623	

3515		3515		3515		3515	
5003	512	5003	512	5003	512	5003	512
1807	1708	1807	1708	1807	1708	1807	1708

SE		SE		SE		SE	
7.00 X 12 - 12		28 X 9 - 15		7.00 X 12 - 12		7.00 X 12 - 12	
6.00 X 9		6.00 X 9		6.00 X 9		6.00 X 9	
2x	2	2x	2	2x	2	2x	2
965		965		965		965	
967		967		967		967	

6			5			6			5			6			5		
2170			2170			2170			2170			2170			2170		
140			140			140			140			140			140		
3250			3250			3250			3250			3250			3250		
3900			3900			3900			3900			3900			3900		
2160			2160			2160			2160			2160			2160		
2181			2206			2181			2181			2181			2181		
1061			1061			1061			1061			1061			1061		
365			365			365			365			365			365		
3486			3486			3486			3486			3486			3486		
2486			2486			2486			2486			2486			2486		
1157	1317	1601	1186	1321	1601	1157	1317	1601	1157	1317	1601	1157	1317	1601	1157	1317	1601
40	100	1000	40	100	1000	40	100	1000	40	100	1000	40	100	1000	40	100	1000
II A			II A			II A			II A			II A			II A		
1070			1070			1070			1070			1070			1070		
107			107			107			107			107			107		
160			160			160			160			160			160		
3820			3820			3820			3820			3820			3820		
4020			4020			4020			4020			4020			4020		
2149			2149			2149			2149			2149			2149		
629			629			629			629			629			629		
1987			1987			1987			1987			1987			1987		
702			727			702			702			702			702		
382			407			382			382			382			382		

19.1	19.8	21.3	20.9	16.7	17.0	20.8	21.2
14.7	15.2	16.5	16.8	16.7	17.0	16.3	16.6
0.61	0.64	0.61	0.64	0.62	0.64	0.58	0.61
0.58	0.50	0.58	0.50	0.58	0.50	0.58	0.50
21900	11450	17230	11450	19085	11000	20875	11000
25.5	32.7	22.0	32.7	25.5	32.1	26.5	32.1
5.4	4.8	5.6	5.0	4.5	4.0	4.9	4.3
Hydraulic		Hydraulic		Hydraulic		Hydraulic	

Yanmar 4TNE94L		Yanmar 4TNE94L		Kubota 2.5L		Kubota 2.5L	
34.2		34.2		43.9		43.9	
2450		2450		2500		2500	
4	3054	4	3054	4	2491	4	2491
2.9		2.9		2.6		2.7	

Automatic		Automatic		Automatic		Automatic	
0 - 155		0 - 155		0 - 155		0 - 155	
75		75		66		66	
45.8		45.8		45.8		45.8	
52.8		52.8		-		-	
79		79		78		78	
-		-		96		96	
102		102		100		100	
Pin		Pin		Pin		Pin	

Specification data is based on VDI 2198.

EQUIPMENT AND WEIGHT:

Weights (line 2.1) are based on the following specifications: Complete truck with 3 290 mm (H2.0-2.5FT) / 3 105 mm (H3.0-H3.5FT) 2-stage limited free lift mast, standard carriage and 1 000 mm forks with e-hydraulics, overhead guard and standard pneumatic shaped solid drive and steer tyres.

HYSTER		HYSTER		HYSTER		HYSTER		HYSTER		HYSTER		
H2.0FT		H2.5FT		H2.5FT		H2.5FT		H2.5FT		H2.5FT		1.1
Fortens Advance +		Fortens Advance +		Fortens Advance +		Fortens Advance +		Fortens Advance +		Fortens Advance +		1.2
Kubota 2.5L Duramatch™ Plus 2 Speed		Yanmar 3.0L Duramatch™ 2 Speed		Yanmar3.0L* Duramatch™ Plus 2 Extended 2 Speed		Kubota 2.5L Duramatch™ 1 Speed		Kubota 2.5L Duramatch™ 2 Speed		Kubota 2.5L Duramatch™ Plus 2 Speed		
Wet Brakes		Wet Brakes		Wet Brakes		ADS Drum or Wet Brakes		Wet Brakes		Wet Brakes		
LPG		LPG		LPG		LPG		LPG		LPG		1.3
Seated		Seated		Seated		Seated		Seated		Seated		1.4
2.0		2.5		2.5		2.5		2.5		2.5		1.5
500		500		500		500		500		500		1.6
471		471		471		471		471		471		1.8
1623		1623		1623		1623		1623		1623		1.9

DISTINGUISHING MARK

3515		3515		3515		3853		3853		3853		2.1
5003	512	5003	512	5003	512	5732	621	5732	621	5732	621	2.2
1807	1708	1807	1708	1807	1708	1737	2116	1737	2116	1737	2116	2.3

WEIGHTS

SE		SE		SE		SE		SE		SE		
28 X 9 - 15		7.00 X 12 - 12		28 X 9 - 15		7.00 X 12 - 12		7.00 X 12 - 12		28 X 9 - 15		3.1
6.00 X 9		6.00 X 9		6.00 X 9		6.00 X 9		6.00 X 9		6.00 X 9		3.2
2x	2	2x	2	2x	2	2x	2	2x	2	2x	2	3.3
965		965		965		965		965		965		3.5
967		967		967		967		967		967		3.6
967		967		967		967		967		967		3.7

TIRES/CHASSIS

6	5	6	5	6	5	6	5	6	5	6	5	6	5	4.1	
2170		2170		2170		2170		2170		2170		2170		4.2	
140		140		140		140		140		140		140		4.3	
3250		3250		3250		3250		3250		3250		3250		4.4	
3900		3900		3900		3900		3900		3900		3900		4.5	
2160		2160		2160		2160		2160		2160		2160		4.7	
2206		2181		2206		2181		2181		2181		2206		4.7.1	
1061		1061		1061		1061		1061		1061		1061		4.8	
365		365		365		365		365		365		365		4.12	
3486		3486		3486		3559		3559		3559		3559		4.19	
2486		2486		2486		2559		2559		2559		2559		4.20	
1186	1321	1601	1157	1317	1601	1186	1321	1601	1157	1317	1601	1186	1321	1601	4.21
40	100	1000	40	100	1000	40	100	1000	40	100	1000	40	100	1000	4.22
II A		II A		II A		II A		II A		II A		II A		4.23	
1070		1070		1070		1070		1070		1070		1070		4.24	
107		107		107		107		107		107		107		4.31	
160		160		160		160		160		160		160		4.32	
3820		3820		3820		3887		3887		3887		3887		4.34.1	
4020		4020		4020		4087		4087		4087		4087		4.34.2	
2149		2149		2149		2216		2216		2216		2216		4.35	
629		629		629		629		629		629		629		4.36	
1987		2020		2020		2020		2020		2020		2020		4.41	
727		702		727		702		702		702		727		4.42	
407		382		407		382		382		407		407		4.43	

DIMENSIONS

22.6	23.0	19.1	19.8	21.3	20.9	16.7	17.0	20.8	21.2	22.6	23.0	5.1
17.8	18.1	14.7	15.2	16.5	16.8	16.7	17.0	16.3	16.6	17.8	18.1	5.1.1
0.58	0.61	0.61	0.64	0.61	0.64	0.62	0.64	0.57	0.61	0.57	0.61	5.2
0.58	0.50	0.58	0.50	0.58	0.50	0.58	0.50	0.58	0.50	0.58	0.50	5.3
19613	11000	21750	11450	17070	11450	18946	10500	20825	10500	19460	10500	5.5
25.7	32.1	22.3	28.7	18.7	28.7	21.8	28.0	22.7	28.0	22.0	28.0	5.7
4.9	4.3	5.7	5.0	5.9	5.2	4.7	4.1	5.1	4.4	5.1	4.4	5.9
Hydraulic		Hydraulic		Hydraulic		Hydraulic		Hydraulic		Hydraulic		5.10

PERFORMANCE DATA

Kubota 2.5L		Yanmar 4TNE94L		Yanmar 4TNE94L		Kubota 2.5L		Kubota 2.5L		Kubota 2.5L		7.1
43.9		34.2		34.2		43.9		43.9		43.9		7.2
2500		2450		2450		2500		2500		2500		7.3
4	2491	4	3054	4	3054	4	2491	4	2491	4	2491	7.4
2.7		2.9		2.9		2.8		2.9		2.9		7.5

COMBUSTION-ENGINE

Automatic		Automatic		Automatic		Automatic		Automatic		Automatic		8.1
0 - 155		0 - 155		0 - 155		0 - 155		0 - 155		0 - 155		10.1
66		75		75		66		66		66		10.2
45.8		45.8		45.8		45.8		45.8		45.8		10.3
-		52.8		52.8		-		-		-		10.4
78		79		79		78		78		78		10.7
96		-		-		96		96		96		10.7.1
100		102		102		100		100		100		10.7.2
Pin		Pin		Pin		Pin		Pin		Pin		10.8

ADDITIONAL DATA

FORTENS ADVANCE+ H3.0FT, H3.5FT

DISTINGUISHING MARK	1.1	Manufacturer (abbreviation)	
	1.2	Manufacturer's type designation	
		Model	
		Engine / transmission	
		Brake type	
	1.3	Drive: electric (battery or mains), diesel, petrol, fuel gas	
	1.4	Operator type: hand, pedestrian, standing, seated, order-pickier	
	1.5	Rated capacity/rated load	Q (t)
	1.6	Load centre distance	c (mm)
1.8	Load distance, centre of drive axle to fork	x (mm)	
1.9	Wheelbase	y (mm)	

WEIGHTS	2.1	Service weight	kg
	2.2	Axle loading laden, front/rear	kg
	2.3	Axle loading unladen, front/rear	kg

TYRES/CHASSIS	3.1	Tyres: L=pneumatic, V=solid, SE=pneumatic-shaped solid	
	3.2	Tyre size, front	
	3.3	Tyre size, rear	
	3.5	Number of wheels, front/rear (X = driven)	
	3.6	Tread, front	b ₁₀ (mm)
	3.7	Tread, rear	b ₁₁ (mm)

DIMENSIONS	4.1	Tilt of mast/fork carriage forward/backward	α/β (°)
	4.2	Height of mast, lowered	h ₁ (mm)
	4.3	Free lift, ¶	h ₂ (mm)
	4.4	Lift ¶	h ₃ (mm)
	4.5	Height of mast, extended +	h ₄ (mm)
	4.7	Height of overhead guard (cabin) ■	h ₅ (mm)
	4.7.1	Cab height (open cab)	mm
	4.8	Seat height relating to SIP/stand height ○	h ₇ (mm)
	4.12	Coupling height	h ₁₀ (mm)
	4.19	Overall length	l ₁ (mm)
	4.20	Length to face of forks	l ₂ (mm)
	4.21	Overall width ◊	b ₁ /b ₂ (mm)
	4.22	Fork dimensions DIN ISO 2331	s/e/l (mm)
	4.23	Fork carriage ISO 2328, class/type A, B	
	4.24	Fork carriage width ●	b ₃ (mm)
	4.31	Ground clearance, laden, below mast	m ₁ (mm)
	4.32	Ground clearance, centre of wheelbase	m ₂ (mm)
	4.34.1	Aisle width for pallets 1000 × 1200 crossways ◆	Ast (mm)
	4.34.2	Aisle width for pallets 800 × 1200 lengthways ◆	Ast (mm)
	4.35	Turning radius	W ₁ (mm)
	4.36	Internal turning radius	b ₁₃ (mm)
	4.41	90° intersecting aisle (with pallet W = 1200mm, L = 1000mm)	
	4.42	Step height (from ground to running board)	(mm)
	4.43	Step height (between intermediate steps between running board and floor)	(mm)

PERFORMANCE DATA	5.1	Travel speed, laden/unladen	km/h
	5.1.1	Travel speed, laden/unladen, backwards	km/h
	5.2	Lift speed, laden/unladen	m/s
	5.3	Lowering speed, laden/unladen	m/s
	5.5	Drawbar pull, laden/unladen †	N
	5.7	Gradeability, laden/unladen ††	%
	5.9	Acceleration time, laden/unladen	sec
	5.10	Service brake	

COMBUSTION ENGINE	7.1	Engine manufacturer/type	
	7.2	Engine power according to ISO 1585	kW
	7.3	Rated speed	rpm
	7.4	Number of cylinders/displacement	cm ³
	7.5	Fuel consumption according to VDI cycle ^	l/h or kg/h

ADDITIONAL DATA	8.1	Type of drive unit	
	10.1	Operating pressure for attachments	bar
	10.2	Oil volume for attachments ◊	l/min
	10.3	Hydraulic oil tank, capacity	litres
	10.4	Fuel tank, capacity	litres
	10.7	Sound pressure level at the driver's seat ◊	dB(A)
	10.7.1	Sound power level during the workcycle ◊ ◊	dB(A)
	10.7.2	Guaranteed sound power 2001/14/EC	
	10.8	Towing coupling type	

HYSTER		HYSTER		HYSTER		HYSTER	
H3.0FT		H3.0FT		H3.0FT		H3.0FT	
Fortens Advance +		Fortens Advance +		Fortens Advance +		Fortens Advance +	
Yanmar 3.0L Duramatch™ 2 Speed		Yanmar 3.0L Duramatch™ Plus 2 Extended 2 Speed		Kubota 2.5L Duramatch™ 1 Speed		Kubota 2.5L Duramatch™ 2 Speed	
Wet Brakes		Wet Brakes		ADS Drum or Wet Brakes		Wet Brakes	
Diesel		Diesel		LPG		LPG	
Seated		Seated		Seated		Seated	
3.0		3.0		3.0		3.0	
500		500		500		500	
483		483		483		483	
1623		1623		1623		1623	

4437		4437		4329		4329	
6662	775	6662	775	6619	710	6619	710
1845	2592	1845	2592	1802	2527	1802	2527

SE		SE		SE		SE	
28 X 9 - 15		28 X 9 - 15		28 X 9 - 15		28 X 9 - 15	
6.50 X 10		6.50 X 10		6.50 X 10		6.50 X 10	
2x	2	2x	2	2x	2	2x	2
965		965		965		965	
967		967		967		967	

6			5			6			5			6			5		
2195			2195			2195			2195			2195			2195		
140			140			140			140			140			140		
3055			3055			3055			3055			3055			3055		
3805			3805			3805			3805			3805			3805		
2185			2185			2185			2185			2185			2185		
2206			2206			2206			2206			2206			2206		
1086			1086			1086			1086			1086			1086		
390			390			390			390			390			390		
3633			3633			3633			3633			3633			3633		
2633			2633			2633			2633			2633			2633		
1186	1321	1601	1186	1321	1601	1186	1321	1601	1186	1321	1601	1186	1321	1601	1186	1321	1601
50	120	1000	50	120	1000	50	120	1000	50	120	1000	50	120	1000	50	120	1000
III A			III A			III A			III A			III A			III A		
1070			1070			1070			1070			1070			1070		
132			132			132			132			132			132		
185			185			185			185			185			185		
3960			3960			3960			3960			3960			3960		
4160			4160			4160			4160			4160			4160		
2277			2277			2277			2277			2277			2277		
618			618			618			618			618			618		
2077			2077			2077			2077			2077			2077		
727			727			727			727			727			727		
407			407			407			407			407			407		

21.1	21.4	21.1	21.4	17.8	18.2	22.0	22.7
16.2	16.6	16.2	16.6	17.8	18.2	17.5	17.9
0.52	0.56	0.52	0.56	0.55	0.56	0.49	0.53
0.53	0.47	0.53	0.47	0.53	0.47	0.53	0.47
19850	11400	19850	11400	17380	10800	19270	10800
18.2	26.5	18.2	26.5	17.6	26.1	18.5	26.1
5.9	5.2	5.9	5.2	4.9	4.2	5.4	4.6
Hydraulic		Hydraulic		Hydraulic		Hydraulic	

Yanmar 4TNE94L		Yanmar 4TNE94L		Kubota 2.5L		Kubota 2.5L	
34.2		34.2		43.9		43.9	
2450		2450		2500		2500	
4	3054	4	3054	4	2491	4	2491
3.5		3.5		3.0		3.2	

Automatic		Automatic		Automatic		Automatic	
0 - 155		0 - 155		0 - 155		0 - 155	
75		75		75		75	
45.8		45.8		45.8		45.8	
52.8		52.8		-		-	
79		79		78		78	
-		-		96		96	
102		102		100		100	
Pin		Pin		Pin		Pin	

Specification data is based on VDI 2198.

HYSTER		HYSTER		HYSTER		HYSTER		HYSTER		1.1
H3.0FT		H3.5FT		H3.5FT		H3.5FT		H3.5FT		1.2
Fortens Advance +		Fortens Advance +		Fortens Advance +		Fortens Advance +		Fortens Advance +		
Kubota 2.5L Duramatch™ Plus 2 Speed		Yanmar 3.0L Duramatch™ Plus 2 Extended 2 Speed		Kubota 2.5L Duramatch™ 1 Speed		Kubota 2.5L Duramatch™ 2 Speed		Kubota 2.5L Duramatch™ Plus 2 Speed		
Wet Brakes		Wet Brakes		ADS Drum or Wet Brakes		Wet Brakes		Wet Brakes		
LPG		Diesel		LPG		LPG		LPG		1.3
Seated		Seated		Seated		Seated		Seated		1.4
3.0		3.5		3.5		3.5		3.5		1.5
500		500		500		500		500		1.6
483		483		483		483		483		1.8
1623		1700		1700		1700		1700		1.9

DISTINGUISHING MARK

4329		4816		646		4646		4646		2.1
6619	710	7392	925	7283	863	7283	863	7283	863	2.2
1802	2527	1868	2948	1761	2885	1761	2885	1761	2885	2.3

WEIGHTS

SE		SE		SE		SE		SE		3.1
28 X 9 - 15		28 X 9 - 15		28 X 9 - 15		28 X 9 - 15		28 X 9 - 15		3.2
6.50 X 10		6.50 X 10		6.50 X 10		6.50 X 10		6.50 X 10		3.3
2x	2	2x	2	2x	2	2x	2	2x	2	3.5
965		965		965		965		965		3.6
967		967		967		967		967		3.7

TYRES/CHASSIS

6	5	6	5	6	5	6	5	6	5	4.1		
2195		2195		2195		2195		2195		4.2		
140		140		140		140		140		4.3		
3055		3055		3055		3055		3055		4.4		
3805		3805		3805		3805		3805		4.5		
2185		2185		2185		2185		2185		4.7		
2206		2206		2206		2206		2206		4.7.1		
1086		1086		1086		1086		1086		4.8		
390		390		390		390		390		4.12		
3633		3734		3734		3734		3734		4.19		
2633		2734		2734		2734		2734		4.20		
1186	1321	1601	1186	1321	1601	1186	1321	1601	1186	1321	1601	4.21
50	120	1000	50	120	1000	50	120	1000	50	120	1000	4.22
III A		III A		III A		III A		III A		4.23		
1070		1070		1070		1070		1070		4.24		
132		132		132		132		132		4.31		
185		185		185		185		185		4.32		
3960		4063		4063		4063		4063		4.34.1		
4160		4263		4263		4263		4263		4.34.2		
2277		2380		2380		2380		2380		4.35		
618		647		647		647		647		4.36		
2077		2111		2111		2111		2111		4.41		
727		727		727		727		727		4.42		
407		407		407		407		407		4.43		

DIMENSIONS

22.0	22.7	21.1	21.4	17.8	18.2	22.0	22.7	22.0	22.7	5.1
17.5	17.9	16.2	16.6	17.5	17.9	17.5	17.9	17.5	17.9	5.1.1
0.49	0.53	0.52	0.56	0.56	0.56	0.48	0.53	0.48	0.53	5.2
0.53	0.47	0.53	0.47	0.53	0.47	0.53	0.47	0.53	0.47	5.3
19270	10800	19700	11400	17230	10600	19120	10600	19120	10600	5.5
18.5	26.1	16.1	24.3	15.6	23.9	16.4	23.9	16.4	23.9	5.7
5.4	4.6	6.2	5.3	5.2	4.3	5.6	4.7	5.6	4.7	5.9
Hydraulic		Hydraulic		Hydraulic		Hydraulic		Hydraulic		5.10

PERFORMANCE DATA

Kubota 2.5L		Yanmar 4TNE94L		Kubota 2.5L		Kubota 2.5L		Kubota 2.5L		7.1
43.9		34.2		43.9		43.9		43.9		7.2
2500		2450		2500		2500		2500		7.3
4	2491	4	3054	4	2491	4	2491	4	2491	7.4
3.2		3.8		3.2		3.4		3.4		7.5

COMBUSTION-ENGINE

Automatic		Automatic		Automatic		Automatic		Automatic		8.1
0 - 155		0 - 155		0 - 155		0 - 155		0 - 155		10.1
75		75		66		66		66		10.2
45.8		45.8		45.8		45.8		45.8		10.3
-		52.8		-		-		-		10.4
78		79		78		78		78		10.7
96		-		96		96		96		10.7.1
100		102		100		100		100		10.7.2
Pin		Pin		Pin		Pin		Pin		10.8

ADDITIONAL DATA

MAST AND CAPACITY INFORMATION

H2.0-2.5FT MASTS

	Maximum fork height (mm)	Back tilt	Overall lowered height (mm)	Overall Extended height (mm)	Free lift (top of forks) (mm)
2-stage Limited Free Lift	3290	5°	2170	4515 ❖	140 ▽
	3790	5°	2420	5015 ❖	140 ▽
	4330	5°	2770	5555 ❖	140 ▽
	4830	5°	3020	6055 ❖	140 ▽
2-stage Full Free Lift	3300	5°	2170	4525 ❖	1555 ▽
3-stage Full Free Lift	4350	5°	1970	5570 ❖	1380 ▽
	4950	5°	2170	6170 ❖	1580 ▽
	5550	5°	2420	6770 ❖	1830 ▽
	6000	5°	2620	7220 ❖	2030 ▽

H3.0-3.5FT Masts

	Maximum fork height (mm)	Back tilt	Overall lowered height (mm)	Overall Extended height (mm)	Free lift (top of forks) (mm)
2-stage Limited Free Lift	3105	5°	2195	4335 ❖	150 ▽
	3605	5°	2445	4835 ❖	150 ▽
	4105	5°	2795	5335 ❖	150 ▽
	4605	5°	3045	5835 ❖	150 ▽
2-stage Full Free Lift	3110	5°	2195	4335 ❖	1495 ▽
3-stage Full Free Lift	4015	5°	1995	5245 ❖	1315 ▽
	4615	5°	2195	5845 ❖	1515 ▽
	4915	5°	2345	6145 ❖	1665 ▽
	5215	5°	2445	6445 ❖	1765 ▽
	5815	5°	2695	7045 ❖	2015 ▽

H2.0-3.5FT - Capacity Chart in kg @ 500mm Load Centre

Pneumatic Shaped Solid Tyres										
	Maximum fork height (mm)	Without sideshift		With ISS & FP		Maximum fork height (mm)	Without sideshift		With ISS & FP	
		H2.0FT	H2.5FT	H2.0FT	H2.5FT		H3.0FT	H3.5FT	H3.0FT	H3.5FT
2-stage Limited Free Lift	3290	2000	2500	2000	2500	3105	3000	3500	2970	3490
	3790	2000	2500	2000	2500	3605	3000	3500	2950	3480
	4330	2000	2500	1990	2480	4105	3000	3500	2940	3460
	4830	1910	2400	1890	2370	4605	2890	3390	2830	3340
2-stage Full Free Lift	3300	2000	2500	2000	2500	3110	3000	3500	2960	3490
3-stage Full Free Lift	4350	2000	2500	1970	2500	4015	3000	3500	2930	3460
	4950	1890	2370	1850	2370	4615	2900	3400	2830	3350
	5550	1760	2240 ◀	1720	2220 ◀	4915	2840	3320 ◀	2760	3260
	6000	1660	2120 ◀	1600	2090 ◀	5215	2740	3250 ◀	2680	3180 ◀
					5815	2610 ◀	2950 ◀	2510 ◀	2970 ◀	

H2.0-3.5FT - Capacity Chart in kg @ 600mm Load Centre

Pneumatic Shaped Solid Tyres										
	Maximum fork height (mm)	Without sideshift		With ISS & FP		Maximum fork height (mm)	Without sideshift		With ISS & FP	
		H2.0FT	H2.5FT	H2.0FT	H2.5FT		H3.0FT	H3.5FT	H3.0FT	H3.5FT
2-stage Limited Free Lift	3290	1920	2370	1840	2280	3105	2820	3310	2700	3180
	3790	1910	2360	1830	2270	3605	2810	3300	2690	3170
	4330	1890	2350	1810	2250	4105	2790	3290	2670	3150
	4830	1800	2240	1720	2150	4605	2690	3170	2570	3040
2-stage Full Free Lift	3300	1920	2380	1840	2280	3110	2820	3310	2700	3180
3-stage Full Free Lift	4350	1880	2380	1790	2280	4015	2800	3290	2670	3150
	4950	1760	2250	1690	2160	4615	2700	3190	2580	3050
	5550	1630	2110 ◀	1570	2020 ◀	4915	2630	3110 ◀	2510	2980
	6000	1530	1990 ◀	1460	1900 ◀	5215	2560	3030 ◀	2440	2900 ◀
					5815	2400 ◀	2860 ◀	2290 ◀	2730 ◀	

H2.0-3.5FT - Capacity Chart in kg @ 500mm Load Centre

Pneumatic Radial Tyres										
	Maximum fork height (mm)	Without sideshift		With ISS & FP		Maximum fork height (mm)	Without sideshift		With ISS & FP	
		H2.0FT	H2.5FT	H2.0FT	H2.5FT		H3.0FT	H3.5FT	H3.0FT	H3.5FT
2-stage Limited Free Lift	3290	2000	2500	2000	2500	3105	3000	3500	2970	3490
	3790	2000	2500	2000	2500	3605	3000	3500	2950	3480
	4330	2000	2500	1990	2480	4105	3000	3500	2940	3460
	4830	1900	2390 ◀	1890	2360 ◀	4605	2890	3340	2820	3340
2-stage Full Free Lift	3300	2000	2500	2000	2500	3110	3000	3500	2960	3490
3-stage Full Free Lift	4350	2000	2500 ◀	1970	2500 ◀	4015	3000	3500 ◀	2930	3430
	4950	1880 ◀	2370 ◀	1850 ◀	2370 ◀	4615	2900 ◀	3400 ◀	2830 ◀	3350 ◀
	5550	1760 ◀	2240 ✖	1710 ◀	2220 ✖	4915	2830 ◀	3330 ✖	2750 ◀	3270 ✖
	6000	1650 ◀	2130 ✖	1600 ◀	2100 ✖	5215	2760 ◀	3250 ✖	2680 ◀	3190 ✖
					5815	2610 ✖	3080 ✖	2510 ✖	3000 ✖	

H2.0-3.5FT - Capacity Chart in kg @ 600mm Load Centre

Pneumatic Radial Tyres										
	Maximum fork height (mm)	Without sideshift		With ISS & FP		Maximum fork height (mm)	Without sideshift		With ISS & FP	
		H2.0FT	H2.5FT	H2.0FT	H2.5FT		H3.0FT	H3.5FT	H3.0FT	H3.5FT
2-stage Limited Free Lift	3290	1920	2370	1840	2280	3105	2820	3310	2700	3180
	3790	1910	2360	1830	2270	3605	2810	3300	2690	3170
	4330	1890	2350	1810	2250	4105	2790	3290	2670	3150
	4830	1790	2240 ◀	1720	2150 ◀	4605	2690	3170	2570	3040
2-stage Full Free Lift	3300	1920	2380	1840	2280	3110	2820	3310	2700	3180
3-stage Full Free Lift	4350	1880	2380 ◀	1790	2280 ◀	4015	2800	3290 ◀	2670	3150
	4950	1760 ◀	2250 ◀	1680 ◀	2150 ◀	4615	2700 ◀	3190 ◀	2580 ◀	3050 ◀
	5550	1630 ◀	2110 ✖	1560 ◀	2020 ✖	4915	2630 ◀	3110 ✖	2510	2980 ✖
	6000	1520 ◀	1990 ✖	1450 ◀	1910 ✖	5215	2550 ◀	3040 ✖	2440 ◀	2900 ✖
					5815	2400 ✖	2860 ✖	2290 ✖	2740 ✖	

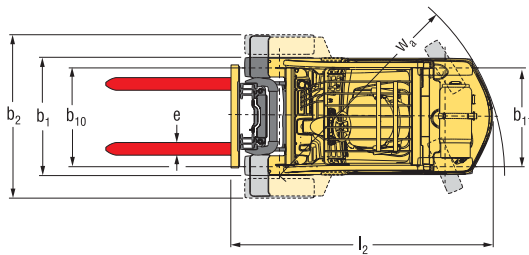
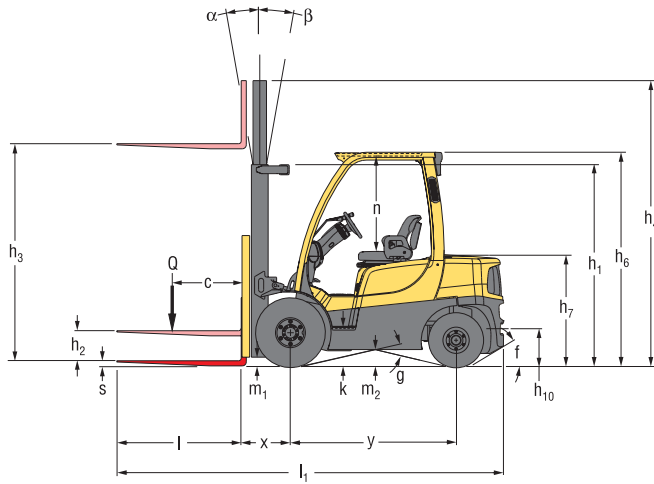
NOTES

To calculate truck capacities with alternative truck specifications to the ones shown in the above tables, please consult your Hyster dealer.

The rated capacities shown are for masts in a vertical position on trucks equipped with standard or sideshift carriage, and nominal length forks. Masts above the maximum fork heights shown in the mast table are classified as high lift, and depending on the tyre/tread configuration may require reduced capacity, restricted back tilt or wide tread.

Values shown are for standard equipment. When using non-standard equipment, these values may change. Please contact your Hyster dealer for information.

TRUCK DIMENSIONS



= Centre of gravity of unladen truck

$Ast = W_a + x + l_g + a$ (see lines 4.34.1 & 4.34.2)

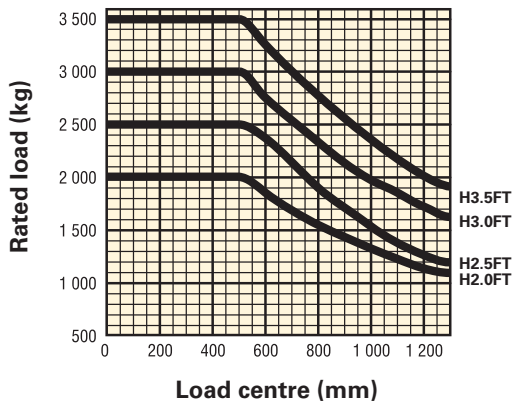
a = Minimum operating clearance

(VDI standard = 200 mm BITA recommendation = 300 mm)

l_g = Load length

Dimensions (mm)	H2.0FT	H2.5FT	H3.0FT	H3.5FT
f	48%	44%	52%	54%
g	25,3°	25,3°	28,0°	28,0°
k	382	382	407	407
n	1068	1068	1068	1068

RATED CAPACITIES



Load centre
Distance from front of forks to centre of gravity of load.

Rated load
Based on vertical masts up to 4350 mm (H2.0-2.5FT) and 4015 mm (H3.0-3.5FT).

NOTE:

Specifications are affected by the condition of the vehicle and how it is equipped, as well as the nature and condition of the operating area. If these specifications are critical, the proposed application should be discussed with your dealer.

- ¶ Top of forks
- ◆ Without load backrest
- h_6 subject to +/- 5 mm tolerance. H2.0FT - H2.5FT add 25mm when front tyre size 28X9-15 is selected
- Full-suspension seat in depressed position
- ◇ Standard/Wide/Dual. When wet axle selected values are (1186 / 1321 / 1601) for all capacities
- Add 32 mm without load backrest
- ◆ Stacking aisle width (lines 4.34.1 & 4.34.2) are based on the VDI standard calculation as shown on illustration. The British Industrial Truck Association recommends the addition of 100 mm to the total clearance (dimension a) for extra operating margin at the rear of the truck.
- † Gradeability figures (line 5.7) are provided for comparison of tractive performance, but are not intended to endorse the operation of the vehicle on the stated inclines. Follow instructions in the operating manual regarding operation on inclines.
- For Fortens Advance models supplied with manual levers, the values for lifting speeds (line 5.2) and fuel consumption (line 7.5) are as stated on the Fortens VDI table.
- † at 1.6 km/h
- †† at 4.8 km/h
- ^ With Load Sensing Hydraulics (LSH)
- ≠ Variable
- ◇ L_{PAZ} Measured according to the test cycles and based on the weighting values contained in EN12053
- ▽ L_{WAZ} measured according to the test cycles and based on the weighting values contained in EN12053

MAST TABLES:

- ❖ With load backrest
- ▽ Without load backrest
- Wide tread or Dual Drive Wheels required for this rating
- * Dual Drive Wheels required for this rating

* For non EU markets

NOTICE

Care must be exercised when handling elevated loads. When the carriage and/or load is elevated, truck stability is reduced. It is important that mast tilt in either direction be kept to a minimum when loads are elevated. Operators must be trained and adhere to the instructions contained in the Operating Manual.

Hyster products are subject to change without notice. Lift trucks illustrated may feature optional equipment.



This truck conforms to the current EU requirements.

PRODUCT PACKAGES

The Hyster Fortens™ range has been designed to match the vast range of application requirements and business objectives that customers demand.

The H2.0-3.5FT Series is available in several truck packages, with multiple powertrain combinations to choose from, to best match operational demands. Each configuration offers improved efficiency, advanced dependability, lower cost of operations and simple serviceability.

Model / Bundle	H2.0FT			H2.5FT		
DIESEL	Engine	Transmission	Brakes	Engine	Transmission	Brakes
Fortens	Yanmar 2.6l	Electronic Powershift 1 speed	Drum	Yanmar 2.6l	Electronic Powershift 1 speed	Drum
	-	-	-	Yanmar 3.3l *	Electronic Powershift 1 speed	Drum
Fortens Advance	Yanmar 2.6l	DuraMatch™ 1 speed	ADS Drum	Yanmar 2.6l	DuraMatch™ 1 speed	ADS Drum
	Yanmar 2.6l	DuraMatch™ 1 speed	Wet Brakes	Yanmar 2.6l	DuraMatch™ 1 speed	Wet Brakes
Fortens Advance+	Yanmar 3.0l	DuraMatch™ 2 speed	Wet Brakes	Yanmar 3.0l	DuraMatch™ 2 speed	Wet Brakes
	Yanmar 3.0l	DuraMatch™ Plus2 extended 2 speed	Wet Brakes	Yanmar 3.0l	DuraMatch™ Plus2 extended 2 speed	Wet Brakes

Model / Bundle	H3.0FT			H3.5FT		
DIESEL	Engine	Transmission	Brakes	Engine	Transmission	Brakes
Fortens	Yanmar 2.6l	Electronic Powershift 1 speed	Drum	-	-	-
	Yanmar 3.3l *	Electronic Powershift 1 speed	Drum	Yanmar 3.3l *	Electronic Powershift 1 speed	Drum
Fortens Advance	Yanmar 2.6l	DuraMatch™ 1 speed	ADS Drum	Yanmar 3.3l *	DuraMatch™ 1 speed	ADS Drum
	Yanmar 2.6l	DuraMatch™ 1 speed	Wet Brakes	Yanmar 3.0l	DuraMatch™ 2 speed	Wet Brakes
Fortens Advance+	Yanmar 3.0l	DuraMatch™ 2 speed	Wet Brakes	-	-	-
	Yanmar 3.0l	DuraMatch™ Plus2 extended 2 speed	Wet Brakes	Yanmar 3.0l	DuraMatch™ Plus2 extended 2 speed	Wet Brakes

Model / Bundle	H2.0FT			H2.5FT		
LPG	Engine	Transmission	Brakes	Engine	Transmission	Brakes
Fortens	Mazda 2.2l	Electronic Powershift 1 speed	Drum	Mazda 2.2l	Electronic Powershift 1 speed	Drum
Fortens Advance	Mazda 2.2l	DuraMatch™ 1 speed	ADS Drum	Mazda 2.2l	DuraMatch™ 1 speed	ADS Drum
	Mazda 2.2l	DuraMatch™ 1 speed	Wet Brakes	Mazda 2.2l	DuraMatch™ 1 speed	Wet Brakes
Fortens Advance+	Kubota 2.5l	DuraMatch™ 1 speed	ADS Drum	Kubota 2.5l	DuraMatch™ 1 speed	ADS Drum
	Kubota 2.5l	DuraMatch™ 1 speed	Wet Brakes	Kubota 2.5l	DuraMatch™ 1 speed	Wet Brakes
	Kubota 2.5l	DuraMatch™ 2 speed	Wet Brakes	Kubota 2.5l	DuraMatch™ 2 speed	Wet Brakes
	Kubota 2.5l	DuraMatch™ Plus2 2 speed	Wet Brakes	Kubota 2.5l	DuraMatch™ Plus2 2 speed	Wet Brakes

Model / Bundle	H3.0FT			H3.5FT		
LPG	Engine	Transmission	Brakes	Engine	Transmission	Brakes
Fortens	Mazda 2.2l	Electronic Powershift 1 speed	Drum	Mazda 2.2l	Electronic Powershift 1 speed	Drum
Fortens Advance	Mazda 2.2l	DuraMatch™ 1 speed	ADS Drum	Mazda 2.2l	DuraMatch™ 1 speed	ADS Drum
	Mazda 2.2l	DuraMatch™ 1 speed	Wet Brakes	Mazda 2.2l	DuraMatch™ 1 speed	Wet Brakes
Fortens Advance+	Kubota 2.5l	DuraMatch™ 1 speed	ADS Drum	Kubota 2.5l	DuraMatch™ 1 speed	ADS Drum
	Kubota 2.5l	DuraMatch™ 1 speed	Wet Brakes	Kubota 2.5l	DuraMatch™ 1 speed	Wet Brakes
	Kubota 2.5l	DuraMatch™ 2 speed	Wet Brakes	Kubota 2.5l	DuraMatch™ 2 speed	Wet Brakes
	Kubota 2.5l	DuraMatch™ Plus2 2 speed	Wet Brakes	Kubota 2.5l	DuraMatch™ Plus2 2 speed	Wet Brakes

Please refer to the Price List for full option configurations.

PRODUCT FEATURES

THIS SERIES OF TRUCKS IS AVAILABLE IN THREE CONFIGURATIONS.

The Fortens™ truck offers first-rate performance for many applications, geared to minimise cost of acquisition without compromising performance.

The Fortens Advance truck provides excellent performance for applications, optimised for lowest hourly operating cost.

The Fortens Advance+ truck delivers maximum performance for medium to heavy-duty applications with state-of-the-art features and industry leading power.

MASTS

The Fortens™ trucks are equipped with new mast which provides excellent visibility both through the mast and all around. They are manufactured without compromise to provide robust and reliable performance, with minimal maintenance cost over the lifetime of the product. The mast has a robust design and offers excellent rigidity particularly at full lift height.

ENGINES & FUEL SYSTEM

The Fortens truck is powered by a range of heavy duty industrial engines, designed to deliver power efficiently over a 20,000 hour design life with 500 hour service intervals. All engines feature Cast Iron Blocks and a 5 main bearing design; engines are fully isolated from the frame and axle to prevent direct transmission of noise and vibration, resulting in low vehicle noise and vibration levels.

Variations in LPG fuel and its higher burning temperatures present challenges for converted Gasoline Engines and Hyster has developed state of the art electronic fuel injection systems, which use closed loop control to maintain proper fuelling in all operating conditions. These advanced Industrial Engines feature coil over plug spark designs, and specially hardened intake and exhaust valve seats to ensure long operating life.

The high performance Kubota 2.5L LPG engine maximises performance and productivity for intensive operations, and with Cast Iron head and special 9.5 Litre Oil capacity is designed to do so reliably for the life of the truck. Advanced engine controls allow fuel mapping to be optimised to allow highly efficient operation in ECO-eLo mode, with minimum loss of performance.

Heavy Duty Diesel Engines from Yanmar have super quick glow plugs allowing the engine to start quickly and reliably under cold conditions, the cold start device delivering a cleaner exhaust by advancing the fuel injection timing based on water temperature. Emissions have been reduced by controlling fuel injection timing according to engine load.

TRANSMISSION

The Standard Fortens model features an Electronic Powershift Transmission.

The Fortens Advance & Fortens Advance+ models are available with the electronically controlled **DuraMatch™ transmission**, providing:

- **Auto Deceleration System (ADS)** automatically slows the truck when the accelerator pedal is released, and finally brings the truck to a stop, which helps to significantly extend brake life. In addition, this feature assists the driver to accurately position the truck in front of a load. There are 10 ADS settings, programmable via the dash display by a service technician, which deliver different braking characteristics, from very gradual to aggressive, to suit the needs of the application.
- **Controlled Power Reversal;** the Pacesetter VSM™ controls the transmission to deliver smooth direction changes. The VSM reduces the throttle to slow the engine, initiates auto-deceleration to stop the truck, changes the transmission direction automatically and increases the throttle to accelerate the truck. The system virtually eliminates tyre spin and shock loads on the transmission and significantly increases tyre life. As with ADS, the system is programmable via the dash display by a service technician, with settings from 1 to 10, to suit the needs of the application.
- **Controlled Roll-Back on Ramp;** the transmission controls the rate of descent of the truck on a ramp, when the brake and throttle pedal are released, to provide maximum control on a grade and increase operator productivity.

The Fortens Advance+ models feature high power engines, and are available with **DuraMatch™ 2** 2 speed automatic transmissions. The **DuraMatch™ 2** transmission, in addition to the above, features:

- **Throttle Response Management** allows the operator to manage his travel speed, according to the position of his foot on the accelerator pedal. For example, a certain speed can be maintained both on the flat and on a gradient, without the need to depress the pedal further. The system also compensates for hydraulic operation and drawbar pull.
- **Auto-Speed Hydraulics with Automatic Inching Control;** when lifting a load, the engine speed is automatically increased to provide full hydraulic power. The Pacesetter VSM™ maintains the current travel speed (or prevents travel) until operator steps on accelerator. No operator inching is required and productivity is increased by simplifying operator actions.

PRODUCT FEATURES (2)

- **First Gear offers increased Drawbar Pull** for use on gradients
- **Second Gear provides maximum engine efficiency** in applications where longer travel distances are common
- Selected DuraMatch™ transmissions are available with **Autospeed Hydraulics**.

The transmissions are compatible with oil cooler and a superior counterweight tunnel design coupled with a “pusher” type fan, to provide the industry’s best cooling.

The available Oil-immersed brakes offer reduced maintenance & repair time and costs, which results in extended truck dependability and uptime.

Trucks fitted with Oil-immersed brakes are ideally suited to applications in wet, dirty or corrosive environments, and ensure consistent braking performance over the lifetime of the truck. This is thanks to the sealed unit that houses and protects the brakes, so preventing contaminants and damage.

AUTOSPEED HYDRAULICS

With Autospeed Hydraulics the engine speed is automatically increased to provide full hydraulic power. The Pacesetter VSM maintains the current travel speed (or prevents travel) until the operator steps on the accelerator. No operator inching is required and productivity and efficiency is increased by simplifying operator actions.

All powertrains are controlled, protected and managed by The **Pacesetter™ VSM** industrial on-board computer featuring a CANbus communications network.

This system permits adjustment and optimisation of the truck’s performance, in addition to monitoring key functions. It enables quick, easy diagnostics, minimising repair downtime and unnecessary parts swapping.

Hassle-Free Hydraulic systems, featuring Leak-free O-ring face seal fittings reduce leaks for enhanced reliability.

Non-mechanical, Hall-Effect sensors and switches have been fitted and are designed to outlast the life of the truck.

Load Sensing Hydraulics (LSH) deliver increased operational efficiency, providing a 15% reduction in fuel consumption on the VDI cycle, with no loss in productivity*. Variable displacement piston pumps match the flow rate and lifting speed continuously to the demands of the duty cycle. The engine therefore supplies only power to the hydraulic pumps when required, so more power is available for driving. This provides increased responsiveness and acceleration, which increases productivity and lowers fuel consumption, reducing overall operating costs.

With LSH Hyster also offers an ECO-eLo (Fuel Efficiency) mode, reducing engine speed by 20% and optimising throttle response, so that the truck operates in the most economical power range. This results in a reduction in fuel consumption of a further 5%*, but has a limited effect on overall truck productivity under application conditions. The ECO-eLo mode also delivers lower noise levels by up to 3dB(A). If a faster work rate, or higher productivity is required, the truck can easily be reprogrammed to HiP (High Performance) mode of operation through the dash display, with access secured by a unique customer password.

(*Hyster Productivity Test Cycle: Load Sensing Hydraulics is available on trucks with TouchPoint mini-levers. The ECO-eLo function is only available on trucks with DuraMatch™ transmissions).

The operator compartment features class-leading **Ergonomics** for maximum driver comfort and productivity.

- Operator space is optimised with spacious operator compartment/cab and significantly more floor space.
- The Easy-to-use 3-point entry design of the operator compartment has an open non-slip step with a height of just 38 cm.
- The Full Suspension Seat together with the isolated powertrain provide best in class Whole-Body Vibration levels of 0.6m/s², ensuring that the operator remains comfortable throughout the shift and fatigue, aches and pains are kept to a minimum.
- The new mini-lever armrest features a new contoured design, and - in addition to the hydraulic functions - features a horn and direction switch, ensuring that all key truck functions are within constant, easy reach.
- The rear grab handle with horn button facilitates reverse driving.
- An infinitely adjustable steering column, 30 cm diameter steering wheel with spinner knob and full-suspension seat enhance driver comfort.

The Hyster Fortens is the fastest and easiest lift truck to **Service**.

- Complete cowl-to-counterweight service access and simplified layout of wiring and hydraulics offers greater access to components, which in turn decreases service time for unscheduled repairs and regular maintenance.
- Fast, colour-coded daily checks and diagnostic systems can be managed via the dash display.
- An Engine coolant change and Hydraulic oil change interval of 4000 hours also contributes to reduced downtime.



STRONG PARTNERS. TOUGH TRUCKS.™

FOR DEMANDING OPERATIONS, EVERYWHERE.

Hyster supplies a complete range of warehouse equipment, IC and electric counterbalanced trucks, container handlers and reach stackers. Hyster is committed to being much more than a lift truck supplier.

Our aim is to offer a complete partnership capable of responding to the full spectrum of material handling issues: Whether you need professional consultancy on your fleet management, fully qualified service support, or reliable parts supply, you can depend on Hyster.

Our network of highly trained dealers provides expert, responsive local support. They can offer cost-effective finance packages and introduce effectively managed maintenance programmes to ensure that you get the best possible value. Our business is dealing with your material handling needs so you can focus on the success of your business today and in the future.



HYSTER EUROPE

Centennial House, Frimley Business Park, Frimley, Surrey GU16 7SG, England.

Tel: +44 (0) 1276 538500



www.hyster.eu



infoeurope@hyster.com



[/HysterEurope](https://www.facebook.com/HysterEurope)





[@HysterEurope](https://twitter.com/HysterEurope)



[/HysterEurope](https://www.youtube.com/HysterEurope)



HYSTER,  and FORTENS are registered trademarks in the European Union and certain other jurisdictions.
MONOTROL is a registered trademark, and DURAMATCH and  are trademarks in the United States and in certain other jurisdictions.
Hyster products are subject to change without notice. Lift trucks illustrated may feature optional equipment.
A division of NACCO Materials Handling Limited.