

adapta**lift**GROUP



R1.4-R2.5

1400-2500 KG

REACH
TRUCK



**THE SOLUTION TO YOUR
APPLICATION NEEDS**

13 22 54

www.adaptalift.com.au

R1.4-R2.5

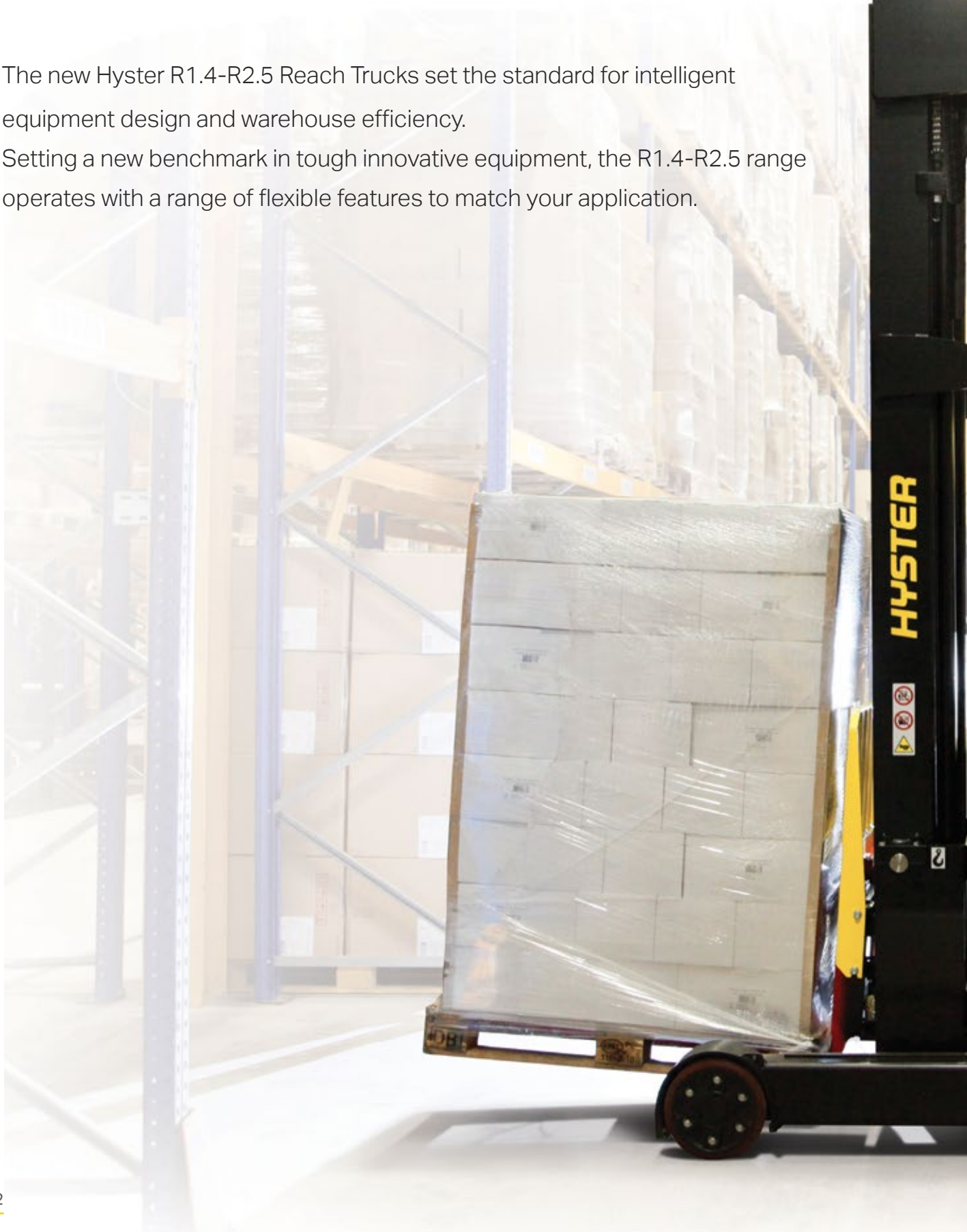
1400 - 2500 KG

REACH
TRUCK

DRIVEN BY INNOVATION AND DESIGNED FOR PERFORMANCE

The new Hyster R1.4-R2.5 Reach Trucks set the standard for intelligent equipment design and warehouse efficiency.

Setting a new benchmark in tough innovative equipment, the R1.4-R2.5 range operates with a range of flexible features to match your application.



- ✓ The seven models in four chassis lengths are tailored to meet the demands of indoor applications
- ✓ Innovative mast for all-round visibility and optimum positioning at height

- ✓ New and advanced operator features and functionality to excel in intense operations
- ✓ Intelligent design providing reliable performance and energy efficiency
- ✓ Aftermarket parts, service and support.



R1.4-R2.5

1400 - 2500 KG

REACH
TRUCK

ADVANCED FEATURES

1



CLEAR VISIBILITY

Excellent all-round and 'past-the-mast' visibility for enhanced accuracy, productivity and performance in operation.

2



ECO-ELO AND HIP PERFORMANCE MODES

Drive down operating costs by switching to Energy Efficiency Mode and reduce energy consumption by up to 20% without affecting productivity.

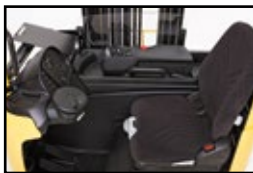
3



ERGONOMIC CONTROLS*

The joystick matches the natural handgrip of the operator, providing easy access for all lift functions, forward/reverse, and the horn. The TouchPoint mini-lever module with built-in controls maximises operator familiarity, while additional function buttons are integrated into the adjustable armrest.

4



PRACTICAL OPERATOR COMPARTMENT

Low step height with easy reach grab handles ensure a three point entry with plenty of operator foot and leg room.

5



VEHICLE CONTROL MANAGER

One main truck master controller provides fully integrated controls for traction, steering, displays and other on-board electronics.

6

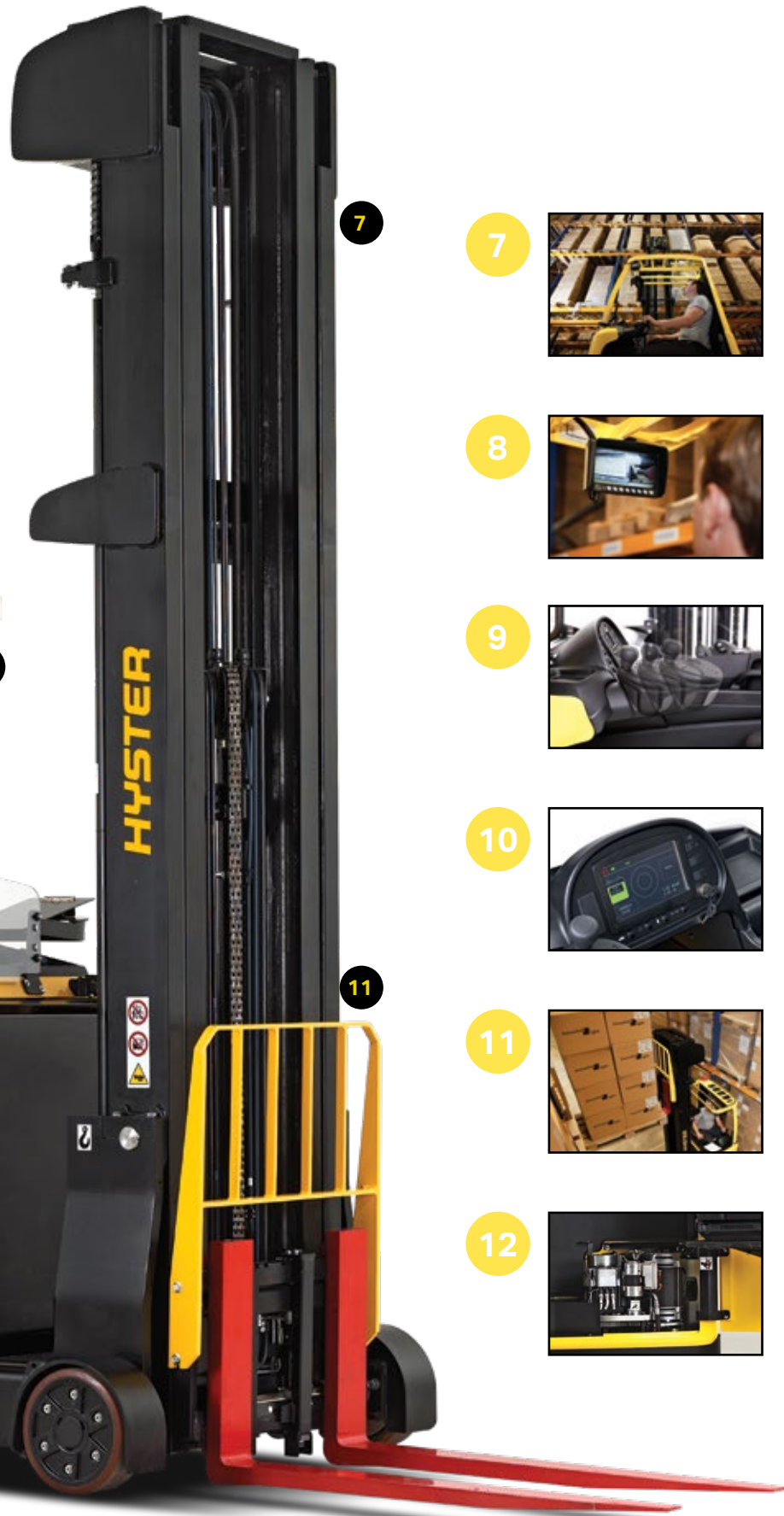


DUAL CANBUS

The VCM uses a dual CANbus to speed up fault diagnostics and allows the truck to operate in 'drive home' should a problem occur.



* Optional Feature



7

7



HEIGHT PRE-SELECTION*

Includes drive assist feature for higher lift to increase in load handling and prevent damage to loads and racks.

8



CAMERA SYSTEM*

Excellent all round visibility including a camera on the carriage allowing operators to pick-up loads at height. This ensures excellent visibility providing a clear field of vision, resulting in pallet damage reduction.

9



TOUGH STEERING COLUMN

Tested to withstand a downward force of 250kg, the extendable column allows for easy 'on/off' access and operator positioning.

10



PREMIUM DISPLAY*

The industry first premium touch screen display provides PIN access, height preselect, fleet management information, weight indication, lift interrupt override and creep speed.

11

11



EXCELLENT STABILITY

Robust mast design provides high residual capacities and stable load handling.

12



EASY ACCESS SERVICE AREAS

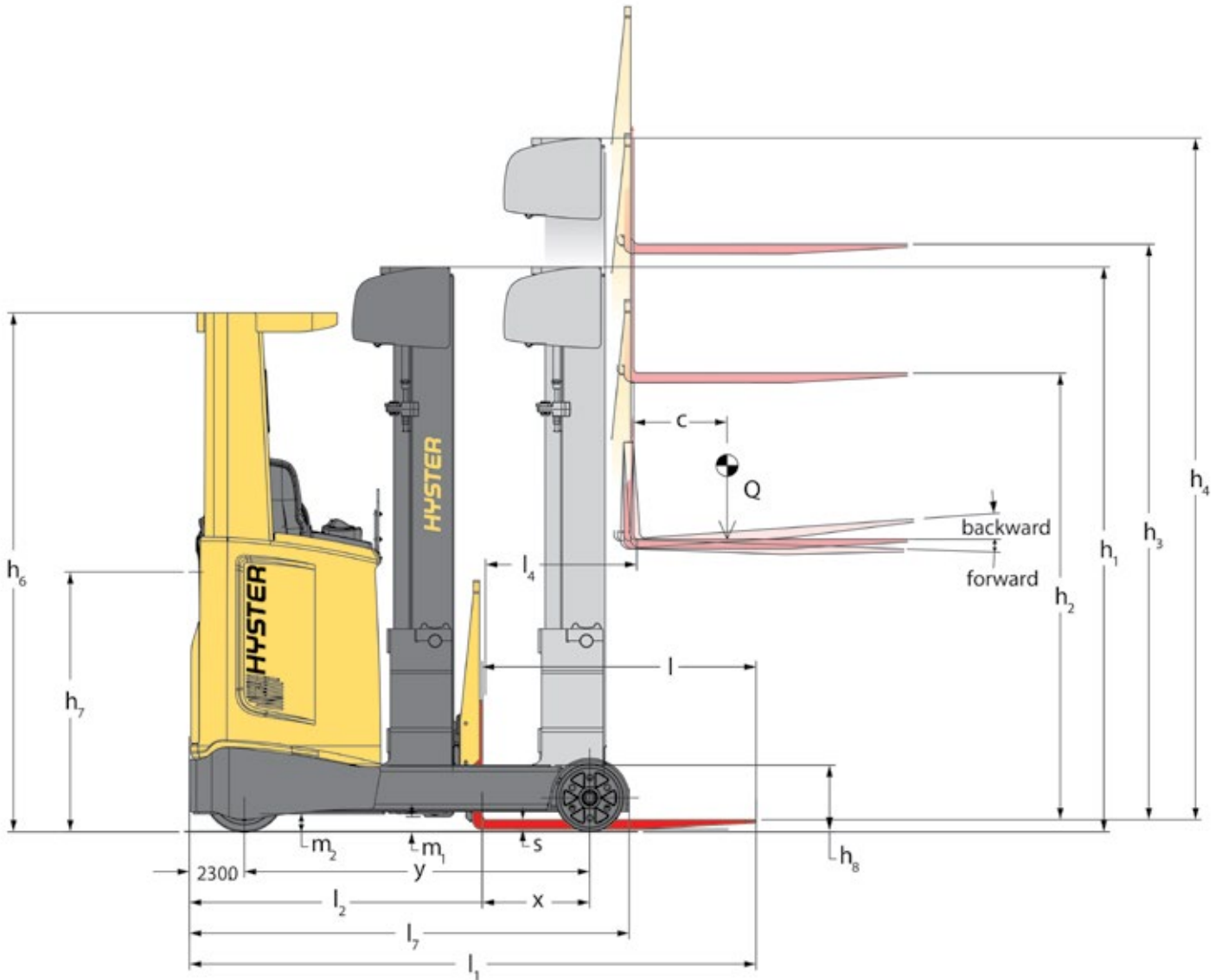
Easy access to motors, hydraulics and other components including a single plug-in access point for diagnostics.

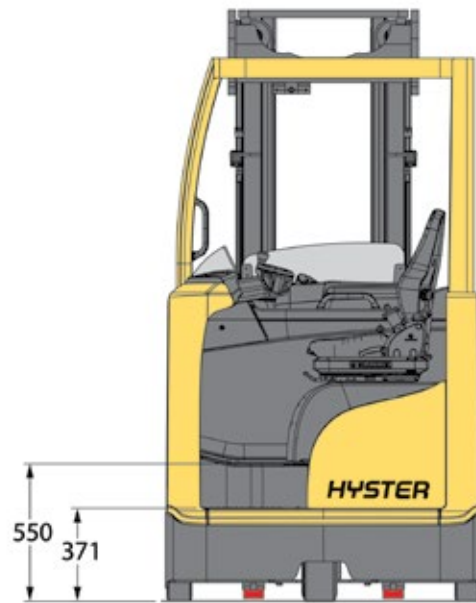
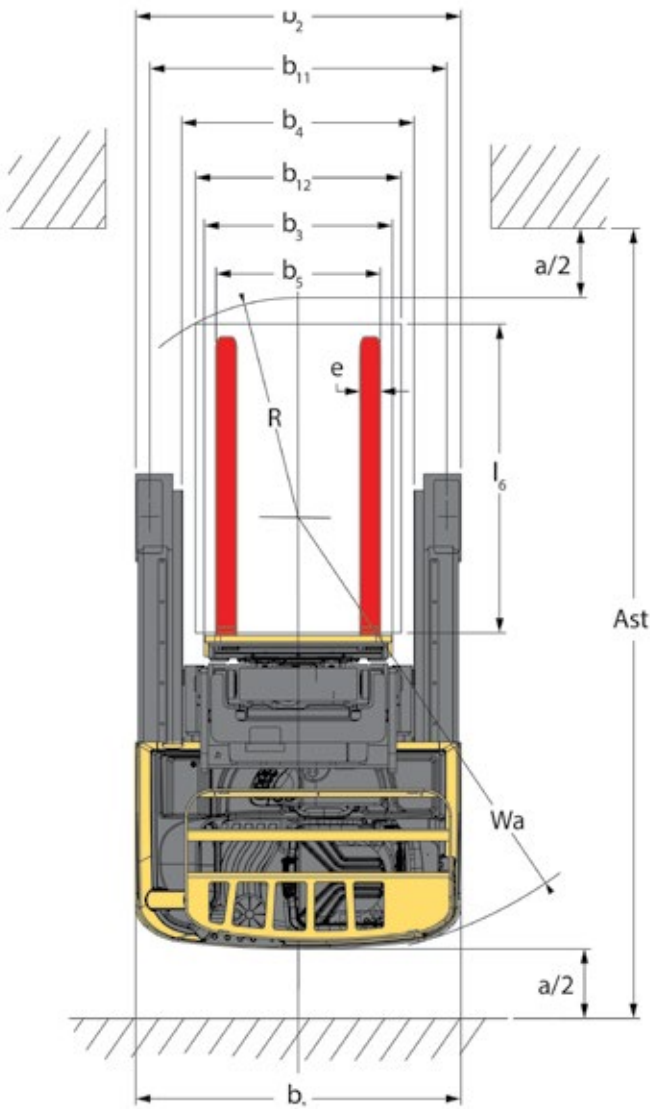
R1.4-R2.5

1400 - 2500 KG

REACH
TRUCK

DIMENSIONS CHART





$$Ast = Wa + R + a$$

(see lines 4.34.1 and 4.34.2)

$$R = \sqrt{(l_6 - x)^2 + \left(\frac{b_{12}}{2}\right)^2}$$

$$a = 200\text{mm}$$

R1.4-R2.5 SPECIFICATIONS

	1.1	MANUFACTURER		HYSTER											
		Manufacturer's type designation		R1.4		R1.6		R1.6N			R2.0				
GENERAL	1.3	Drive: electric (battery or mains), diesel, petrol, fuel, gas		Electric (battery)		Electric (battery)		Electric (battery)			Electric (battery)				
	1.4	Operator type: hand, pedestrian, standing, seated, order-picker		Seated		Seated		Seated			Seated				
	1.5	Rated capacity/Rated load	Q (t)	1.4		1.6		1.6			2.0				
	1.6	Load centre distance	c (mm)	600		600		600			600				
	1.8	Load distance, centre of drive axle to fork	x (mm)	402		452		382			430				
	1.9	Wheelbase	y (mm)	1400		1450		1450			1500				
	WEIGHTS	2.1	Service weight	kg	3112		3162		3111			3615			
		2.3	Axle loading, unladen front/rear ◆	kg	1977	1135	2018	1144	1922	1189	2261	1354			
2.4		Axle loading fork advanced, laden front/rear	kg	682	3830	601	4162	569	4142	671	4943				
TYRE/CHASSIS	2.5	Axle loading fork retracted, laden front/rear	kg	1778	2735	1853	2909	1680	3032	2032	3583				
	3.1	Tyres: polyurethane, tophane, vulkollan, front/rear		Vulkollan/Vulkollan		Vulkollan/Vulkollan		Vulkollan/Vulkollan			Vulkollan/Vulkollan				
	3.2	Tyre size, front	ø mm x mm	343x140		343x140		343x140			343x140				
	3.3	Tyre size, rear	ø mm x mm	285x100		285x100		285x100			285x100				
	3.5	Wheels, number front/rear (x = driven wheels)		1x/2		1x/2		1x/2			1x/2				
DIMENSIONS	3.7	Tread, rear	b _r (mm)	1155		1155		1025			1155				
	4.1	Tilt of mast/fork carriage forward/backward	α / β (°)	2/4		2/4		2/4			2/4				
	4.2	Height of mast, lowered	h ₁ (mm)	2195		2195		2195			2195				
	4.3	Free lift	h ₂ (mm)	1648		1648		1648			1582				
	4.4	Lift	h ₃ (mm)	5000		5000		5000			4650				
	4.5	Height, mast extended ▶	h ₄ (mm)	5563		5563		5563			5263				
	4.7	Height of overhead guard (cabin) □	h ₅ (mm)	2175		2175		2175			2175				
	4.8	Seat height relating to SIP	h ₆ (mm)	1082		1082		1082			1082				
	4.10	Height of wheel arms	h ₇ (mm)	308		308		308			308				
	4.19	Overall length	l ₁ (mm)	2379		2379		2449			2451				
	4.20	Length to face of forks	l ₂ (mm)	1229		1229		1299			1301				
	4.21	Overall width ▲	b ₁ / b ₂ (mm)	1265		1265		1125			1265				
	4.22	Fork dimensions DIN ISO 2331	s/e/l (mm)	40	80	1150	40	120	1150	40	120	1150	40	120	1150
	4.23	Fork carriage ISO 2328, class/type A, B		2A		2A		2A			2A				
	4.24	Fork-carriage width	b ₃ (mm)	700		700		700			700				
	4.25	Distance between fork-arms min./max. ☹	b ₄ (mm)	220/640		260/680		260/680			260/680				
	4.26	Distance between wheel arms/loading surfaces	b ₅ (mm)	900		900		795			900				
	4.28	Reach distance	l ₃ (mm)	585		635		565			613				
	4.31	Ground clearance, laden, below mast	m ₁ (mm)	75		75		75			65				
	4.32	Ground clearance, centre of wheelbase	m ₂ (mm)	75		75		75			65				
	4.34.1	Aisle width for pallets 1000mm x 1200mm crossways	Ast (mm)	2718		2731		2762			2795				
4.34.2	Aisle width for pallets 800mm x 1200mm lengthwise	Ast (mm)	2764		2767		2811			2835					
4.35	Turning radius	Wa (mm)	1671		1718		1700			1767					
4.37	Length across wheel arms	l7 (mm)	1795		1845		1845			1895					
4.43	Step height	(mm)	371		371		371			371					
PERFORMANCE	5.1	Travel speed, laden/unladen ○	km/h	11/11 (14/14)		11/11 (14/14)		11/11 (14/14)			14/14				
	5.1.1	Travel speed, laden/unladen, backwards ○	km/h	11/11 (14/14)		11 / 11 (14/14)		11/11 (14/14)			14/14				
	5.2	Lift speed, laden/unladen	m/s	0.37/0.63 (0.47/0.73)		0.32/0.63 (0.42/0.73)		0.32/0.63 (0.42/0.73)			0.37/0.64				
	5.3	Lowering speed, laden/unladen	m/s	0.55/0.55		0.55/0.55		0.55/0.55			0.55/0.50				
	5.4	Reaching speed, laden/unladen	m/s	0.15/0.15		0.15/0.15		0.15/0.15			0.15/0.15				
	5.7	Gradeability, laden/unladen	%	12/15		11/15		11/15			10/15				
	5.8	Max. gradeability laden/unladen	%	12/15		12/15		12/15			12/15				
	5.9	Acceleration time laden/unladen	s	On request		On request		On request			On request				
	5.10	Service brake		Electric		Electric		Electric			Electric				
	POWER UNIT	6.1	Drive motor S2 60 minute rating	kW	6.4		6.4		6.4			6.4			
6.2		Lift motor, S3 15% rating	kW	14		14		14			14				
6.3		Battery according to DIN 43531/35/36 A,B,C, no		C		C		C			C				
6.4		Battery voltage/nominal capacity K5	(V)/(Ah)	48/420 ■		48/420 ■		48/420 ■			48/560 ■				
6.5		Battery weight	kg	750		750		750			939				
6.6		Energy consumption according to VDI cycle	kWh/h at number of cycles	On request		On request		On request			On request				
OTHER	8.1	Type of drive unit		AC		AC		AC			AC				
	10.1	Operating pressure for attachments	bar	180		180		180			180				
	10.2	Oil volume for attachment	l/min	20		20		20			20				
	10.7	Sound pressure level at the driver's seat	dB(A)	<69.7		<69.7		<69.7			<69.7				

	HYSTER										
	R2.5			R1.6HD			R2.0HD				
GENERAL	1.1										
	1.2	Electric (battery)			Electric (battery)			Electric (battery)			
	1.3	Seated			Seated			Seated			
	1.4	2.5			1.6			2.0			
	1.5	600			600			600			
	1.6	503			308			353			
	1.7	1650			1450			1500			
	1.8	4038			4038			4425			
	1.9	2520	1518	2417	1621	2567	1858				
WEIGHTS	2.3	773	5765	883	4755	891	5534				
	2.4	2371	4167	2172	3466	2235	4189				
	2.5	Vulkollan/Vulkollan			Vulkollan/Vulkollan			Vulkollan/Vulkollan			
	3.1	343x140			343x140			343x140			
	3.2	285x140			285x100			285x140			
TYRE/CHASSIS	3.3	1x/2			1x/2			1x/2			
	3.4	1195			1155			1195			
	3.5	2/4			2/4			2/4			
	3.6	2195			3227			3227			
	3.7	1582			2680			2614			
	3.8	4650			8050			7900			
	3.9	5263			8613			8513			
	3.10	2175			2175			2175			
	3.11	1082			1082			1082			
	3.12	308			308			308			
DIMENSIONS	3.13	2528			2523			2528			
	3.14	1378			1373			1378			
	3.15	1345			1265			1345			
	3.16	45	120	1150	40	120	1150	45	120	1150	
	3.17	2A			2A			2A			
	3.18	700			700			700			
	3.19	260/680			260/680			260/680			
	3.20	900			900			900			
	3.21	686			491			536			
	3.22	65			65			65			
	3.23	65			65			65			
	3.24	2890			2834			2850			
	3.25	2915			2896			2904			
	3.26	1911			1718			1767			
	3.27	2045			1845			1895			
	3.28	371			371			371			
	3.29	14/14			14/14			14/14			
	3.30	14/14			14/14			14/14			
	PERFORMANCE	3.31	0.30/0.64			0.42/0.73			0.37/0.68		
		3.32	0.55/0.50			0.55/0.55			0.55/0.55		
3.33		0.15/0.15			0.15/0.15			0.15/0.15			
3.34		8/14			10/14			8/13			
3.35		12/15			12/15			12/15			
3.36		On request			On request			On request			
3.37		Electric			Electric			Electric			
3.38		6.4			6.4			6.4			
3.39		14			14			14			
3.40		C			C			C			
POWER UNIT	3.41	48/700 ■			48/560 ■			48/700 ■			
	3.42	1119			939			1119			
	3.43	On request			On request			On request			
	3.44	AC			AC			AC			
	3.45	180			180			180			
	3.46	20			20			20			
OTHER	3.47	<69.7			<69.7			<69.7			
	3.48	<69.7			<69.7			<69.7			

NOTE:

Specifications are affected by the condition of the vehicle and how it is equipped, as well as the nature and condition of the operating area. If these specifications are critical, the proposed application should be discussed with your dealer.

- ▶ With load backrest h4
+ 508mm (R1.4-R1.6-R1.6N-R1.6HD),
+ 443mm (R2.0-R2.5 R2.0HD).
- With beacon h6 + 120mm;
With OHG Grid Protector h6 + 20mm; With OHG
Screen Protector h6 + 30mm
- ▲ With load wheels lateral covers:
1289mm (R1.4-R1.6-R2.0-R1.6HD),
1153mm (R1.6N),
1373mm (R2.5-R2.0HD).
- ▼ These values may vary of +/- 5%.
- ◆ Forks retracted.
- Battery information
- Values in brackets are optional.
- ⌘ Side shift stroke is +/-75mm on all trucks. Reduced to
+/-25mm for R1.6N.

MAST TABLES

- ❖ All weights are: mast structures (weldment, cylinders,
chain, pulley) + carriage + load backrest + oil.
EXCLUDED: forks, accessories.

BATTERY TABLES

- ⊗ These values may vary of +/- 5%.
- ← Forks retracted.

All weights (2.1 to 2.5) are with lowest mast and standard forks.

STANDARD EQUIPMENT AND OPTIONS

Includes:

- End of stroke slow down on lift
- Soft stop on lowering
- Height controlled mast cushioning over Free Lift
Mainlift mast section
- Height indicator

DIN C battery on R1.4 / R1.6 / R2.0 / R2.5 / R1.6HD / R2.0HD

DIN B battery on R1.6N

NOTICE

Care must be exercised when handling elevated loads. When the carriage and/or load is elevated, truck stability is reduced. It is important that mast tilt in either direction be kept to a minimum when loads are elevated.

Operators must be trained and adhere to the instructions contained in the Operating Manual.

Hyster products are subject to change without notice. Lift trucks illustrated may feature optional equipment.

All values are nominal values and they are subject to tolerances. For further information, please contact the manufacturer.

Values may vary with alternative configurations.

MAST

R1.4, R1.6 & R1.6N						
STANDARD MAST - 3 STAGE FULL FREE LIFT (1400KG/1600KG)						
Manufacturer's type designation	Lift (h3) mm	Free Lift (h2) mm	Height of mast lowered (h1) mm	Height, mast extended ▶ (h4) mm	Weight ❖ kg	
R1.4 R1.6	R1.6N	5000	1648	2195	5563	911
		5250	1734	2281	5813	936
		5500	1820	2367	6063	961
		5750	1906	2453	6313	986
		6000	1992	2539	6563	1010
		6250	2078	2625	6813	1035
		6500	2164	2711	7063	1060
		6750	2250	2797	7313	1090
		7000	2336	2883	7563	1115
		7250	2422	2969	7813	1140
	7500	2508	3055	8063	1164	
	7750	2594	3141	8313	1220	
	8000	2680	3227	8563	1244	
	8250	2766	3313	8813	1269	
	8500	2852	3399	9063	1299	
	8750	2938	3485	9313	1324	
	9000	3024	3571	9563	1349	
	R1.6HD	9250	3110	3657	9813	1376
		9500	3196	3743	10063	1400
		9750	3282	3829	10313	1425
10000		3368	3915	10563	1454	
10250		3454	4001	10813	1478	
10500	3540	4087	11063	1503		

R1.6HD					
HEAVY DUTY MAST - 3 STAGE FULL FREE LIFT (1600KG)					
Manufacturer's type designation	Lift (h3) mm	Free Lift (h2) mm	Height of mast lowered (h1) mm	Height, mast extended ▶ (h4) mm	Weight ❖ kg
R1.6HD	7900	2680	3227	8463	1376
	8150	2766	3313	8713	1404
	8400	2852	3399	8963	1438
	8650	2938	3485	9213	1466
	8900	3024	3571	9463	1495
	9150	3110	3657	9713	1524
	9400	3196	3743	9963	1552
	9650	3282	3839	10213	1580
	9900	3368	3925	10463	1612
	10150	3454	4011	10713	1641
	10400	3540	4097	10963	1699
	10650	3626	4183	11213	1728
	10900	3712	4269	11463	1756
	11150	3798	4355	11713	1785
	11400	3884	4441	11963	1813

R2.0 & R2.5					
STANDARD MAST - 3 STAGE FULL FREE LIFT (2000KG/2500KG)					
Manufacturer's type designation	Lift (h3) mm	Free Lift (h2) mm	Height of mast lowered (h1) mm	Height, mast extended ▶ (h4) mm	Weight ❖ kg
R2.0 R2.5	4650	1582	2195	5263	958
	4900	1668	2281	5513	985
	5150	1754	2367	5763	1012
	5400	1840	2453	6013	1038
	5650	1926	2539	6263	1065
	5900	2012	2625	6513	1092
	6150	2098	2711	6763	1118
	6400	2184	2797	7013	1150
	6650	2270	2883	7263	1177
	6900	2356	2969	7513	1204
	7150	2442	3055	7763	1230
	7400	2528	3141	8013	1288
	7650	2614	3227	8263	1314
	7900	2700	3313	8513	1341
	8150	2786	3399	8763	1373

R2.0HD					
HEAVY DUTY MAST - 3 STAGE FULL FREE LIFT (2000KG)					
Manufacturer's type designation	Lift (h3) mm	Free Lift (h2) mm	Height of mast lowered (h1) mm	Height, mast extended ▶ (h4) mm	Weight ❖ kg
R2.0HD	7750	2614	3227	8363	1402
	8000	2700	3313	8613	1431
	8250	2786	3399	8863	1465
	8500	2872	3485	9113	1494
	8750	2958	3571	9363	1523
	9000	3044	3657	9613	1552
	9250	3130	3743	9863	1581
	9500	3216	3839	10113	1609
	9750	3302	3925	10363	1638
	10000	3388	4011	10613	1671
	10250	3474	4097	10863	1729
	10500	3560	4183	11113	1758
	10750	3646	4269	11363	1787
	11000	3732	4355	11613	1816
	11250	3818	4441	11863	1844
	11500	3904	4527	12113	1873
	11750	3990	4613	12363	1902
	12000	4076	4699	12613	1931
	12250	4162	4785	12863	1959
12500	4248	4871	13113	1988	

Values shown are for standard equipment. When using non-standard equipment these values may change. Please contact your Hyster dealer for information.

▶ With load backrest h4. + 508mm (R1.4-R1.6-R1.6N-R1.6HD), + 443mm (R2.0-R2.5 R2.0HD).

❖ All weights are: mast structures (weldment, cylinders, chain, pulley) + carriage + load backrest + oil. EXCLUDED: forks, accessories.

R1.4 - R2.5 FEATURES & OPTIONS

Feature	R1.4/1.6	R1.6N	R2.0/2.5	R1.6HD	R2.0HD
Intermediate step	x	x	x	x	x
Grab handle on overhead guard post	x	x	x	x	x
Grab handle under armrest	x	x	x	x	x
TouchPoint mini-levers mounted on adjustable length armrest	x	x	x	x	x
Joystick mounted on adjustable length armrest	o	o	o	o	o
Full suspension seat - 60mm suspension travel cloth upholstery	x	x	x	x	x
Full suspension seat - 80mm suspension travel cloth upholstery	o	o	o	o	o
- Headrest (cloth version only)	o	o	o	o	o
- Synchronised seat cushion and backrest movement (cloth version only)	o	o	o	o	o
- Seat belt	o	o	o	o	o
- Heated seat	o	o	o	o	o
- Antistatic seat (cloth version only)	o	o	o	o	o
Vinyl seat upholstery	o	o	o	o	o
Standard display	x	x	x	x	x
Premium display with touch screen	o	o	o	o	o
Keyless access	o	o	o	o	o
Adjustable steering column	x	x	x	x	x
Automatic park brake	x	x	x	x	x
180° steering	x	x	x	x	x
360° steering	o	o	o	o	o
Driver select steering mode 180 / 360° (push button)	o	o	o	o	o
Travel speed 11km/h	x	x	-	-	-
Travel speed 14km/h with electric load wheel braking	o	o	x	x	x
Speed slow down mast reached forward	x	x	x	x	x
Speed slow down on cornering	x	x	x	x	x
Speed slow down over free lift	x	x	x	x	x
3 stage mast/tilting carriage	x	x	x	x	x
Simultaneous lift/reach functionality	x	x	x	x	x
Simultaneous hydraulic functionality - 3 functions	o	o	o	o	o
Mast cushioning over free lift/main lift sections - fixed sensor mounting	x	x	x	x	-
Lift Comfort package ✓	o	o	o	x	x
Lift Performance package	o	o	-	x	x
Laser line fork positioning aid (above free lift)	o	o	o	o	o
Auto side shift centring	o	o	o	o	o
Auto fork levelling in the horizontal position	o	o	o	o	o
Height preselector (with/without pallet detection device)	o	o	o	o	o
Fork mounted camera/monitor	o	o	o	o	o
Weight indicator	o	o	o	o	o
5th hydraulic function	o	o	o	o	o
Universal support bracket	o	o	o	o	o
Beverage holder and document tray	o	o	o	o	o
A4 clipboard	o	o	o	o	o
Stretch film roll holder	o	o	o	o	o
Lift limit with override (1 x height setting)	o	o	o	o	o
Lift limit with override (2 x height settings)	o	o	o	o	o
Lower limit (with override option)	o	o	o	o	o
Flashing beacon	o	o	o	o	o
Work lights x 2 (mast side)	o	o	o	o	o
Work lights x 1 (drive side)	o	o	o	o	o
Polycarbonate (lexan) protection on overhead guard	o	o	o	o	o
Metal grid protection on overhead guard	o	o	o	o	o
Top/front load wheel protection	x	x	x	x	x
Side load wheel protection	o	o	o	o	o
High temperature environment	o	o	o	o	o
Side battery change - rollers	o	o	o	o	o
Side battery change - tray	o	o	o	o	o
Extension cable	o	o	o	o	o
Drive-in overhead guard (w 930 x h 1400 / w 930 x h 1700mm)	o	o	o	o	o
Antistatic drive and load wheels	o	o	o	o	o
Wet surface drive and load wheels	o	o	o	o	o
Side guidance rollers	o	o	o / ★	o	★
DC / DC converter (choice of 12V/48V, 24V/48V, 12-24V/48V options)	o	o	o	o	o
Audible alarm (choice of forks leading, forks trailing, both travel directions)	o	o	o	o	o
Load backrest (choice of heights 1000/1500mm)	o	o	o	o	o

✓ Includes: End of stroke slow down on lift. Soft stop on lowering. Height controlled mast cushioning over Free Lift/Main lift mast section. Height indicator.
 X Standard — Not available
 O Optional ★ SPED

BATTERY

	Truck dimensions for different batteries	Battery type	C "Super"	C	C "Super"	C	C "Super"	
R1.4	1.2	Manufacturer's type designation	R1.4	R1.4	R1.4	R1.4	R1.4	
	1.8	Load distance, centre of drive axle to fork	x (mm)	402	330	330	258	258
	1.9	Wheelbase	y (mm)	1400	1400	1400	1400	1400
	2.1	Service weight	kg	3112	3309	3320	3495	3541
	2.3	Axle loading, unladen front/rear ←	kg	1977/1135	2025/1285	2032/1289	2055/1440	2084/1457
	2.4	Axle loading fork advanced, laden front/rear	kg	682/3830	792/3917	800/3921	885/4010	914/4027
	2.5	Axle loading fork retracted, laden front/rear	kg	1778/2735	1753/2956	1760/2960	1711/3184	1741/3201
	4.19	Overall length	l1 (mm)	2379	2451	2451	2523	2523
	4.20	Length to face of forks	l2 (mm)	1229	1301	1301	1373	1373
	4.28	Reach distance	l4 (mm)	585	513	513	441	441
	4.34.1	Aisle width for pallets 1000mm x 1200mm crossways	Ast (mm)	2718	2771	2771	2825	2826
	4.34.2	Aisle width for pallets 800mm x 1200mm lengthwise	Ast (mm)	2764	2829	2829	2895	2895
	4.35	Turning radius	Wa (mm)	1671	1671	1671	1671	1671
	6.3	Battery according to DIN 43531/35/36 A,B,C, no		C "Super"	C	C "Super"	C	C "Super"
	6.4	Battery voltage/nominal capacity K5	(V) / (Ah)	48/ 465	48/560	48/620	48/700	48/775
	6.5	Battery weight ⊕	kg	750	939	950	1119	1165
	Truck dimensions for different batteries	Battery type	C "Super"	C	C "Super"	C	C "Super"	
R1.6	1.2	Manufacturer's type designation	R1.6	R1.6	R1.6	R1.6	R1.6	
	1.8	Load distance, centre of drive axle to fork	x (mm)	452	380	380	308	308
	1.9	Wheelbase	y (mm)	1450	1450	1450	1450	1450
	2.1	Service weight	kg	3162	3360	3371	3546	3592
	2.3	Axle loading, unladen front/rear ←	kg	2018/1144	2069/1291	2077/1294	2103/1443	2133/1459
	2.4	Axle loading fork advanced, laden front/rear	kg	601/4162	714/4246	721/4250	810/4336	839/4352
	2.5	Axle loading fork retracted, laden front/rear	kg	1853/2909	1825/3135	1832/3139	1779/3367	1809/3383
	4.19	Overall length	l1 (mm)	2379	2451	2451	2523	2523
	4.20	Length to face of forks	l2 (mm)	1229	1301	1301	1373	1373
	4.28	Reach distance	l4 (mm)	635	563	563	491	491
	4.34.1	Aisle width for pallets 1000mm x 1200mm crossways	Ast (mm)	2731	2781	2781	2834	2834
	4.34.2	Aisle width for pallets 800mm x 1200mm lengthwise	Ast (mm)	2767	2830	2830	2896	2896
	4.35	Turning radius	Wa (mm)	1718	1718	1718	1718	1718
	6.3	Battery according to DIN 43531/35/36 A,B,C, no		C "Super"	C	C "Super"	C	C "Super"
	6.4	Battery voltage/nominal capacity K5	(V) / (Ah)	48/465	48/560	48/620	48/700	48/775
	6.5	Battery weight ⊕	kg	750	939	950	1119	1165
	Truck dimensions for different batteries	Battery type	B "Super"	B	B "Super"	B	B "Super"	
R1.6N	1.2	Manufacturer's type designation	R1.6N	R1.6N	R1.6N	R1.6N	R1.6N	
	1.8	Load distance, centre of drive axle to fork	x (mm)	382	292	292	202	202
	1.9	Wheelbase	y (mm)	1450	1450	1450	1450	1450
	2.1	Service weight	kg	3115	3309	3317	3498	3514
	2.3	Axle loading, unladen front/rear ←	kg	1924/1191	1947/1362	1952/1365	1955/1543	1965/1549
	2.4	Axle loading fork advanced, laden front/rear	kg	572/4143	672/4237	677/4240	757/4341	766/4347
	2.5	Axle loading fork retracted, laden front/rear	kg	1682/3033	1606/3303	1611/3306	1514/3584	1524/3590
	4.19	Overall length	l1 (mm)	2449	2539	2539	2629	2629
	4.20	Length to face of forks	l2 (mm)	1299	1389	1389	1479	1479
	4.28	Reach distance	l4 (mm)	565	475	475	385	385
	4.34.1	Aisle width for pallets 1000mm x 1200mm crossways	Ast (mm)	2762	2828	2828	2898	2899
	4.34.2	Aisle width for pallets 800mm x 1200mm lengthwise	Ast (mm)	2811	2893	2893	2976	2976
	4.35	Turning radius	Wa (mm)	1700	1700	1700	1700	1700
	6.3	Battery according to DIN 43531/35/36 A,B,C, no		B "Super"	B	B "Super"	B	B "Super"
	6.4	Battery voltage/nominal capacity K5	(V) / (Ah)	48/465	48/560	48/620	48/700	48/775
	6.5	Battery weight ⊕	kg	750	937	945	1119	1135

R2.0		Truck dimensions for different batteries	Battery type	C "Super	C	C "Super"
	1.2	Manufacturer's type designation		R2.0	R2.0	R2.0
	1.8	Load distance, centre of drive axle to fork	x (mm)	430	358	358
	1.9	Wheelbase	y (mm)	1500	1500	1500
	2.1	Service weight	kg	3626	3801	3847
	2.3	Axle loading, unladen front/rear ←	kg	2268/1358	2296/1504	2326/1520
	2.4	Axle loading fork advanced, laden front/rear	kg	679/4947	770/5030	801/5046
	2.5	Axle loading fork retracted, laden front/rear	kg	2039/3586	1971/3829	2002/3845
	4.19	Overall length	l1 (mm)	2451	2523	2523
	4.20	Length to face of forks	l2 (mm)	1301	1373	1373
	4.28	Reach distance	l4 (mm)	613	541	541
	4.34.1	Aisle width for pallets 1000mm x 1200mm crossways	Ast (mm)	2795	2846	2846
	4.34.2	Aisle width for pallets 800mm x 1200mm lengthwise	Ast (mm)	2835	2900	2900
	4.35	Turning radius	Wa (mm)	1767	1767	1767
	6.3	Battery according to DIN 43531/35/36 A,B,C, no		C "Super"	C	C "Super"
6.4	Battery voltage/nominal capacity K5	(V) / (Ah)	48/620	48/700	48/775	
6.5	Battery weight ⊗	kg	950	1119	1165	
R2.5		Truck dimensions for different batteries	Battery type	C "Super	C	C "Super"
	1.2	Manufacturer's type designation		R2.5	R2.5	R2.5
	1.8	Load distance, centre of drive axle to fork	x (mm)	503	431	431
	1.9	Wheelbase	y (mm)	1650	1650	1650
	2.1	Service weight	kg	4084	4230	4292
	2.3	Axle loading, unladen front/rear ←	kg	2552/1532	2565/1665	2606/1686
	2.4	Axle loading fork advanced, laden front/rear	kg	804/5780	876/5855	917/5875
	2.5	Axle loading fork retracted, laden front/rear	kg	2402/4182	2306/4424	2348/4444
	4.19	Overall length	l1 (mm)	2528	2600	2600
	4.20	Length to face of forks	l2 (mm)	1378	1450	1450
	4.28	Reach distance	l4 (mm)	686	614	614
	4.34.1	Aisle width for pallets 1000mm x 1200mm crossways	Ast (mm)	2890	2938	2938
	4.34.2	Aisle width for pallets 800mm x 1200mm lengthwise	Ast (mm)	2915	2978	2978
	4.35	Turning radius	Wa (mm)	1911	1911	1911
	6.3	Battery according to DIN 43531/35/36 A,B,C, no		C "Super"	C	C "Super"
6.4	Battery voltage/nominal capacity K5	(V) / (Ah)	48/775	48/840	48/930	
6.5	Battery weight ⊗	kg	1165	1306	1368	
R1.6HD		Truck dimensions for different batteries	Battery type	C "Super	C	C "Super"
	1.2	Manufacturer's type designation		R1.6HD	R1.6HD	R1.6HD
	1.8	Load distance, centre of drive axle to fork	x (mm)	308	308	308
	1.9	Wheelbase	y (mm)	1450	1450	1450
	2.1	Service weight	kg	4049	4224	4270
	2.3	Axle loading, unladen front/rear ←	kg	2424/1625	2428/1796	2457/1813
	2.4	Axle loading fork advanced, laden front/rear	kg	891/4758	979/4845	1009/4861
	2.5	Axle loading fork retracted, laden front/rear	kg	2180/3469	2104/3720	2134/3736
	4.19	Overall length	l1 (mm)	2523	2523	2523
	4.20	Length to face of forks	l2 (mm)	1373	1373	1373
	4.28	Reach distance	l4 (mm)	491	491	491
	4.34.1	Aisle width for pallets 1000mm x 1200mm crossways	Ast (mm)	2834	2834	2834
	4.34.2	Aisle width for pallets 800mm x 1200mm lengthwise	Ast (mm)	2896	2896	2896
	4.35	Turning radius	Wa (mm)	1718	1718	1718
	6.3	Battery according to DIN 43531/35/36 A,B,C, no		C "Super"	C	C "Super"
6.4	Battery voltage/nominal capacity K5	(V) / (Ah)	48/620	48/700(6)	48/775	
6.5	Battery weight ⊗	kg	950	1119	1165	
R2.0HD		Truck dimensions for different batteries	Battery type	C "Super	C	C "Super"
	1.2	Manufacturer's type designation		R2.0HD	R2.0HD	R2.0HD
	1.8	Load distance, centre of drive axle to fork	x (mm)	353	281	281
	1.9	Wheelbase	y (mm)	1500	1500	1500
	2.1	Service weight	kg	4471	4617	4679
	2.3	Axle loading, unladen front/rear ←	kg	2597/1874	2577/2040	2616/2063
	2.4	Axle loading fork advanced, laden front/rear	kg	921/5550	985/5632	1024/5655
	2.5	Axle loading fork retracted, laden front/rear	kg	2266/4205	2149/4468	2189/4490
	4.19	Overall length	l1 (mm)	2528	2600	2600
	4.20	Length to face of forks	l2 (mm)	1378	1450	1450
	4.28	Reach distance	l4 (mm)	536	464	464
	4.34.1	Aisle width for pallets 1000mm x 1200mm crossways	Ast (mm)	2850	2903	2903
	4.34.2	Aisle width for pallets 800mm x 1200mm lengthwise	Ast (mm)	2904	2970	2970
	4.35	Turning radius	Wa (mm)	1767	1767	1767
	6.3	Battery according to DIN 43531/35/36 A,B,C, no		C "Super"	C	C "Super"
6.4	Battery voltage/nominal capacity K5	(V) / (Ah)	48/775	48/840	48/930	
6.5	Battery weight ⊗	kg	1165	1306	1368	

R1.4-R2.5

1400 - 2500 KG

REACH
TRUCK

STANDARD FEATURES AND OPTIONS

OPERATOR COMPARTMENT

- ✓ Intermediate step
- ✓ Grab handle on overhead guard post
- ✓ Grab handle under armrest
- ✓ TouchPoint mini-levers mounted on adjustable length armrest
- ✓ Full suspension seat – 60mm suspension travel – cloth upholstery
- ✓ Standard display
- ✓ Adjustable steering column
- ✓ Automatic park brake
- ✓ 180° steering

TRAVEL PERFORMANCE

- ✓ Travel speed 11km/h (R1.4,1.6,1.6N only)
- ✓ Travel speed 14km/h with electric load wheel braking (R2.0, R2.5, R1.6HD, R2.0HD only)
- ✓ Speed slow down mast reached forward
- ✓ Speed slow down on cornering
- ✓ Speed slow down over free lift

LIFT PERFORMANCE/DRIVER ASSIST

- ✓ 3 stage mast/tilting carriage
- ✓ Simultaneous lift/reach functionality
- ✓ Mast positioning over free lift/main lift sections –fixed sensor mounting*
- ✓ Lift comfort package (R1.6HD, R2.0HD only)
- ✓ Lift performance package (R1.6HD, R2.0HD only)

APPLICATION ENVIRONMENT

- ✓ Top/front load wheel protection

CHASSIS WIDTH (MAX)

- 1265mm (R1.4, R1.6, R1.6HD and R2.0 only)
Not available on R1.6N, R2.5 and R2.0HD
- 1125mm (R1.6N only)
Not available on R1.4, R1.6, R2.0, R2.5, R1.6HD and R2.0HD
- 1345mm (R2.5 and R2.0HD only)
Not available on R1.4, R1.6, R1.6N, R2.0 and R1.6HD

STANDARD WARRANTY

- ✓ Truck 12 months (2000 hours)
- ✓ Powertrain 24 months (4000 hours)

OPERATOR COMPARTMENT

- ✓ Joystick mounted on adjustable length armrest
- ✓ Full suspension seat – 80mm suspension travel – cloth upholstery
- ✓ Head rest (cloth version only)
- ✓ Synchronised seat cushion and back rest movement (cloth version only)
- ✓ Heated seat
- ✓ Antistatic seat (cloth version only)
- ✓ Vinyl seat upholstery
- ✓ Premium display with touch screen
- ✓ Keyless access
- ✓ 360° steering
- ✓ Driver select steering mode 180/360° (push button)

LIFT PERFORMANCE/DRIVER ASSIST

- ✓ Simultaneous hydraulic functionality – 3 functions
- ✓ Lift Comfort Package >
- ✓ Lift Performance Package
- ✓ Laser line fork positioning aid (above free lift)
- ✓ Auto side shift centring
- ✓ Auto fork levelling in the horizontal position
- ✓ Height preselector (with/without pallet detection device)
- ✓ Fork mounted camera/monitor
- ✓ Load weight indicator



APPLICATION ENVIRONMENT

- 5th hydraulic function
- Universal support bracket
- Beverage holder and document tray
- A4 clipboard
- Stretch film roll holder
- Lift limit with override (1 x height setting)
- Lift limit with override (2 x height setting)
- Lower limit (with override option)
- Flashing beacon
- Work lights x 2 (mast side)
- Work lights x 1 (drive side)
- Polycarbonate (lexan) protection on overhead guard
- Metal grid protection on overhead guard
- Side load wheel protection
- High temperature environment
- Side battery change – rollers
- Side battery change – tray
- Extension cable
- Drive-in overhead guard
(w 930 x h 1400 / 930 x h 1700mm)
- Antistatic drive and load wheels
- Wet surface drive and load wheels
- Side guidance rollers
- DC/DC converter (choice of 12V/48V, 24V/48V,
12-24V/48V options)
- Audible alarm (choice of fork leading, forks trailing,
both travel directions)
- Load backrest (choice of heights 1000/1500mm)
- Extendable forks – double deep option
- Speed reduction to 3km/h with forks raised
- Cold store cabin

BATTERY SIZES

(DIN C battery on R1.4/R1.6/R2.0/R2.5/R1.6HD/R2.0HD)

- 420-465Ah (R1.4, R1.6 and R1.6N only)
Not available on R2.0, R2.5, R1.6HD and R2.0HD
- 560-620Ah (R1.4, R1.6, R1.6N, R2.0 and R1.6HD only)
Not available on R2.5 and R2.0HD
- 700-775Ah (R1.4, R1.6, R1.6N, R2.0, R2.5, R1.6HD
and R2.0HD only)
- 840-930Ah (R2.5 and R2.0HD only)
Not available on R1.4, R1.6, R1.6N, R2.0 and R1.6HD

> Includes:

- End of stroke slow down on lift
- Soft stop on lowering
- Height controlled mast cushioning over
Free Lift/Main Lift mast section
- Height indicator

* Not available on R2.0HD



Branches

VICTORIA

Melbourne - Springvale (Head Office)

📍 1574 Centre Rd
Springvale, VIC, 3171
☎ [03] 9547 8000

Melbourne - Truganina

📍 42-44 Jessica Way
Truganina, VIC, 3029
☎ [03] 9394 4090

NEW SOUTH WALES

Sydney (State Office)

📍 219 Newton Rd
Wetherill Park, NSW, 2164
☎ [02] 8788 1777

Port Kembla

📍 20-26 Flinders Street
Port Kembla, NSW, 2505
☎ 13 22 54

QUEENSLAND

Brisbane (State Office)

📍 11 Lombank Street
Acacia Ridge, QLD, 4110
☎ [07] 3373 5111

Rockhampton

📍 62 Glenmore Road
Park Avenue, Rockhampton
QLD 4701
☎ [07] 4922 8874

Townsville

📍 39 Duckworth Street
Garbutt, QLD, 4814
☎ [07] 4778 2000

SOUTH AUSTRALIA/ NORTHERN TERRITORY

Adelaide (State Office)

📍 18-22 Churchill Rd. Nth.
Dry Creek, SA, 5094
☎ [08] 8360 3444

WESTERN AUSTRALIA

Perth (State Office)

📍 Unit 1, 1-9 Kurnall Road
Welshpool, WA, 6106
☎ [08] 9352 9200

Karratha

📍 Lot 3873-Pemberton Road
Karratha, WA, 6714
☎ 13 22 54

TASMANIA

Spreyton

📍 87a Devonport Road
Spreyton, TAS, 7310
☎ [03] 6427 3966

Service Centres

VICTORIA

Bendigo
Warrnambool
Ballarat
Shepparton
Wondonga
Mildura

TASMANIA

Hobart
Launceston
Burnie

NEW SOUTH WALES

Dubbo
Griffith
Tamworth
Newcastle
Wollongong
Canberra
Tumut
Bathurst
Wagga Wagga
Albury
Gosford
Coffs Harbour

QUEENSLAND

Rockhampton
Mackay
Cairns
Gladstone
Townsville
Mt Isa
Toowoomba
Gold Coast
Sunshine Coast

SOUTH AUSTRALIA/NT

Riverland
Darwin

WESTERN AUSTRALIA

Margaret River



13 22 54

www.adaptalift.com.au