

BRANCHES

VICTORIA

Melbourne - Springvale

- 📍 (Head Office)
1574 Centre Rd,
Springvale, VIC 3171
☎ [03] 9547 8000

Melbourne - Truganina

- 📍 42-44 Jessica Way
Truganina, VIC 3029
☎ [03] 9394 4000

QUEENSLAND

Brisbane (State Office)

- 📍 11 Lombank St,
Acacia Ridge, QLD 4110
☎ [07] 3373 5111

Rockhampton

- 📍 62 Glenmore Rd, Park Avenue,
Rockhampton, QLD 4701
☎ [07] 4922 8874

Townsville

- 📍 39 Duckworth St,
Garbutt, Townsville, QLD 4814
☎ [07] 4778 2000

TASMANIA

Spreyton

- 📍 87a Devonport Rd,
Spreyton, TAS 7310
☎ [03] 6427 3966

NEW SOUTH WALES

Sydney (State Office)

- 📍 219 Newton Rd,
Wetherill Park, NSW 2164
☎ [02] 8788 1777

Riverina

- 📍 5 Favell St,
Griffith, NSW 2680
☎ [02] 6962 7343

SOUTH AUSTRALIA

Adelaide (State Office)

- 📍 18-22 Churchill Rd. Nth.
Dry Creek, SA 5094
☎ [08] 8360 3444

Mt. Gambier

- ☎ 13 22 54

WESTERN AUSTRALIA

Perth (State Office)

- 📍 Unit 1, 1-9 Kurnall Road
Welshpool, WA 6106
☎ [08] 9352 9200

Karratha

- 📍 Lot 3873-Pemberton Rd,
Karratha, WA 6106
☎ 13 22 54

adaptalift **GROUP**



Summit **SC1018AWD/ SC1218AWD**

ALL TERRAIN SCISSOR LIFTS



13 22 54

dingliaustralia.com.au

Dingli Summit SC1018AWD/SC1218AWD

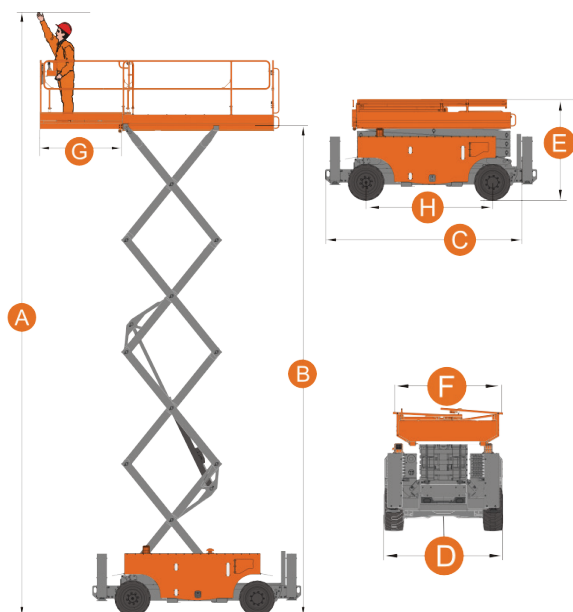
All Terrain Scissor Lifts




Standard Equipment:

- Proportional controls
- Self-lock gate on platform
- Drivable at full height
- Onboard diagnostic system
- Non marking tyres
- Automatic 4 wheel brakes
- Emergency lowering system
- Emergency stop buttons
- Cylinder holding valve
- Extension platform
- Forklift pockets
- Motion alarm
- 4WD
- Hour meter
- Flashing beacon
- Tilt sensor with alarm
- Folding guardrails
- Overload sensor with alarm
- AC Power to platform
- Oscillating Axle

Options:

- Platform work lights
- Airline to platform



Specifications		SC1018AWD	SC1218AWD
	S.W.L	454 kg	363 kg
	S.W.L on Extension	136 kg	136 kg
	Max. Occupants (Indoor / Outdoor)	4 / 2	3 / 2
	A Max. Working Height	12.00 m	14.30 m
	B Max. Platform Floor Height	10.00 m (33 ft)	12.30 m (40 ft)
	C Overall Length (With / Without Outriggers)	3.84 m / 3.19 m	3.84 m / 3.19 m
	D Overall Width	1.76 m	1.76 m
	Overall Height (Rails Up)	2.59 m	2.74 m
	E Overall Height (Rails Down)	1.82 m	1.97 m
	Platform Size (Length / Width) F	2.88 m x 1.52 m	2.88 m x 1.52 m
	G Platform Extension Size	1.43 m	1.43 m
	Ground Clearance	0.24 m	0.24 m
	H Wheelbase	2.29 m	2.29 m
	Turning Radius (Inside / Outside)	2.15 m / 4.85 m	2.15 m / 4.85 m
	Engine (Kubota D1105)	18.6 kW / 2,400 rpm	18.6 kW / 2,400 rpm
	Travel Speed (Stowed)	5.2 km/h	5.2 km/h
	Travel Speed (Raised)	0.48 km/h	0.48 km/h
	Up / Down Speed	38 / 46 sec	45 / 46 sec
	Gradeability	40%	40%
	Max Working Slope (ANSI)	2° / 3°	2° / 3°
	Max Working Slope (CE)	1.5° / 3°	1.5° / 3°
	Hydraulic Tank	71 L	71 L
	Diesel Tank	47 L	47 L
	Tyres	26 x 12 - 16.5	26 x 12 - 16.5
	Weight (With / Without Outriggers)	4,300 kg / 3,900 kg	5,050 kg / 5,050 kg

* Product specifications and prices are subject to change without notice or obligation. The photographs and/or drawings in this document are for illustrative purposes only.