

adaptalift **GROUP**



# R30XM3 SERIES

*R30XM3, R30XMA3, R30XMF3, R30XMS3*

ORDERPICKER  
SERIES



THE SOLUTION TO YOUR  
APPLICATION NEEDS

**13 22 54**  
[www.adaptalift.com.au](http://www.adaptalift.com.au)

# R30XM3 SERIES

R30XM3, R30XMA3, R30XMF3, R30XMS3

ORDERPICKER  
SERIES

## BETTER PRODUCTIVITY THROUGH BETTER COMFORT

Every Hyster® OrderPicker truck comes with more than 80 years of materials handling expertise behind it. And during those 80 years, we've designed every truck with our customers in mind. The more comfortable your operators are, the more productive they are. And productivity is the bottom line for any business.

- ✓ Every Hyster® OrderPicker truck comes with more than 80 years of materials handling expertise behind it. And during those 80 years, we've designed every truck with our customers in mind. The more comfortable your operators are, the more productive they are. And productivity is the bottom line for any business.
- ✓ 1-inch thick shock-absorbent floor mat and flush-mounted foot switch allow a natural stance for driving in chassis-first or forks-first position. A 32" deep operator platform is available.
- ✓ Console has a concave design that allows the operator to comfortably lean when driving in the forks-first direction, along with mounted fan for excellent upper-body ventilation.
- ✓ Adjustable multifunction control handle comes with three position adjustments that allow your operators to tailor its position relative to their preferred operating stance on the truck.
- ✓ Optional 6-inch height adjustable console dash facilitates a workstation tailored to a variety of operators.
- ✓ Superb rack visibility via a "see-through" cantilevered grid-style overhead guard and widely spaced mast channels with rear mounted lift cylinders.
- ✓ Optional light package with high illumination spotlights for better visibility in those dimly lit areas of your warehouse.







Before you take delivery of a new truck, you can be assured it's been put through a series of product proving tests and inspections before it arrives. Every Hyster OrderPicker is built tough for years of dependability and service.

## **Designed for Longevity**

- All critical harness connections utilize sealed connectors.
- O-ring face seals on all high pressure hydraulic connections to reduce hydraulic leaks.
- Solid state devices eliminate the use of potentiometers.
- Drip loops incorporated to keep condensation away from connectors for added reliability.
- CANbus control system reduces wiring and improves diagnostic capabilities.
- The Hyster-designed thermal management system maximizes performance during continuous operation, while preventing damage to components due to heat.
- Base arms are welded to the frame, separate from mast assembly, to provide structural strength. This unique design allows a mast to be easily interchanged. Toe cap protection on the base arms help protect load wheels from damage.
- Rear frame and inner arm weldments are reinforced for added strength and rigidity.

## **Heavy-Duty Design**

The unitized design and welded steel construction of the frame provide better rigidity and excellent protection for the internal components. The exceptional strength and durability of the frame are designed and tested using computer-generated finite element analysis.

The exclusive VISTA™ mast provides a superior life with low maintenance costs. Stress tested, hot-rolled mast channels give you a high-load carrying capacity. Nested channel design features durable, dual lift cylinders positioned behind channels for protection. Chrome plated cylinder rods resist corrosion and scoring. Side thrust wear plugs allow mast adjustment without the need for mast removal.

# R30XM3 SERIES

R30XM3, R30XMA3, R30XMF3, R30XMS3

ORDERPICKER  
SERIES

## MORE BANG FOR YOUR BUCK

The superior design of Hyster® OrderPicker trucks helps to lower your cost of ownership and increase productivity. Extended maintenance intervals, along with longer brake and tire life, all play a part in lowering the overall operating costs. Our trucks are designed and tested to stand up to your toughest applications, minimizing service interruptions and saving you money.

### Simplified Serviceability

The OrderPicker utilizes Hyster i3 Technology™ CANbus communications to simplify wiring and improve serviceability. Hyster i3 Technology™ integrates commonality among Hyster warehouse products and simplifies the way in which operators and technicians alike handle and service the truck. The integrated Intelligent Interface ties together functionality, software, diagnostic codes, similar interfaces and is Hyster Tracker compatible.

### Adjustable Mast

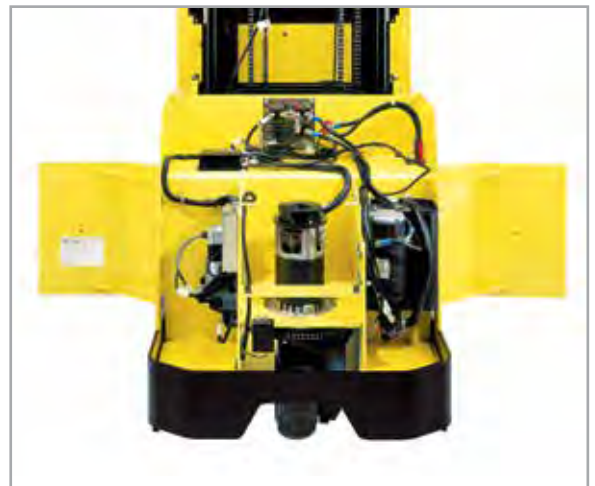
- ✓ Side thrust adjustable mast allows technicians to quickly and easily adjust all mast channel rollers in the field to compensate for wear.
- ✓ Adjustment can be accomplished without special tools or mast disassembly.
- ✓ Trunnion mounted mast allows for simple mast removal saving both time and money.
- ✓ Brushless design of the traction, hoist and steer motors provides improved reliability and extended maintenance intervals.

### Fewer Parts for Maximum Uptime

A view of the OrderPicker's motor compartment reveals uncluttered access with fewer components. Fewer parts means less to service and helps to maximize truck uptime while minimizing your cost of ownership. Commutating brushes are eliminated with the use of the AC traction and hoist motors. And our side thrust plugs on the mast help simplify mast adjustments. All trucks come with a 12 month / unlimited hours full truck warranty, and 3 year / 6,000 hour powertrain warranty lifetime frame warranty.



Side thrust adjustable mast

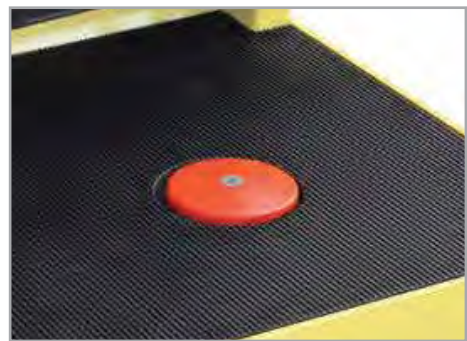




## BUILT FOR COMFORT

Hyster® OrderPickers are designed for a comfortable ride and made to fit operators of various sizes with a truly flexible operator compartment. A low step height, a wide cushioned floor, a foot switch position that promotes a natural stance and a one-inch thick padded rubber floor mat enhance comfort and ease of movement.

- ✓ Vertically adjustable console is optional on all models and offers 6" of vertical height adjustment to accommodate a wide range of operators, while the optional console-mounted fan provides upper body ventilation for improved comfort.
- ✓ Spring assisted adjustable side gates for simple one hand operation. The ease of operation provides quick access to and from the operator's compartment. Side gate interlock switches are provided to disable lift/lower and traction control while side gates are raised.
- ✓ The work station features a low step height, wide cushioned floor and a one-inch thick padded rubber floor mat for supportive comfort.
- ✓ Clear visibility through the mast with safety glass windshield.
- ✓ Flush-mounted foot switch allows for a natural operating stance.
- ✓ Low step height for easy compartment entry/exit.



*Flush-mounted foot switch allows for a natural operating stance*



*Low step height for easy compartment entry/exit*

# R30XM3 SERIES

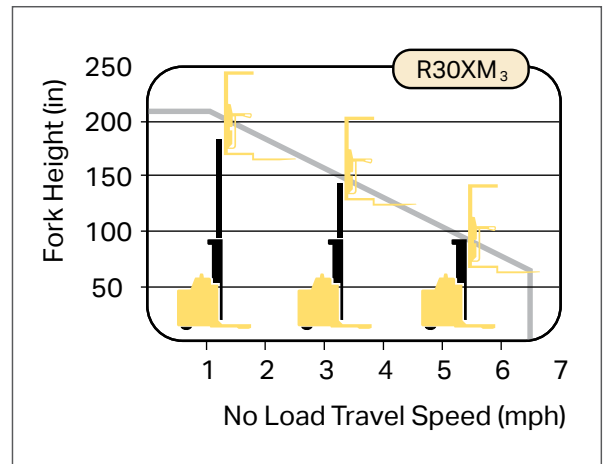
R30XM3, R30XMA3, R30XMF3, R30XMS3

ORDERPICKER  
SERIES

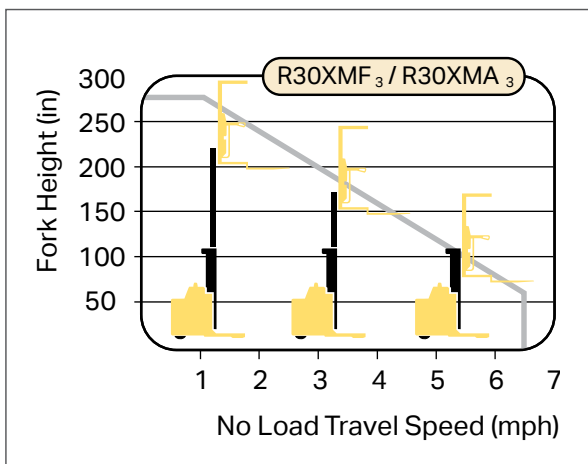
## INCREASED PRODUCTIVITY. BOTTOM LINE.

To increase your speed, efficiency and productivity, our OrderPickers are equipped with the HySense™ continuous height-sensing control system. It replaces the “step-downs” at preset intervals with smooth, gradual linear speed reduction that is barely noticeable to your operators. This enables a more refined braking action while traveling at extended heights, bolstering confidence and productivity. And productivity is the bottom line for any business.

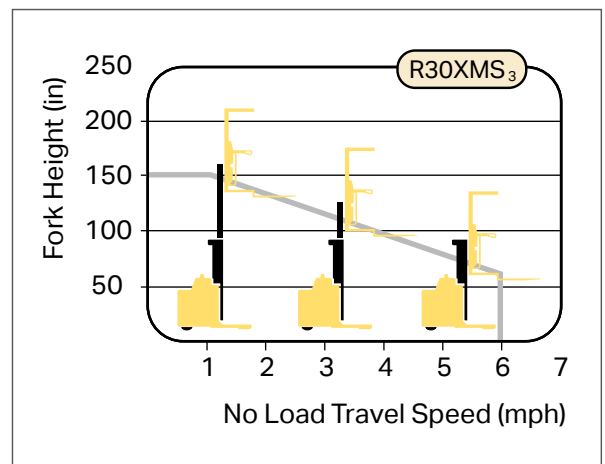
*Note: Steer angle on all models are < 10°.*



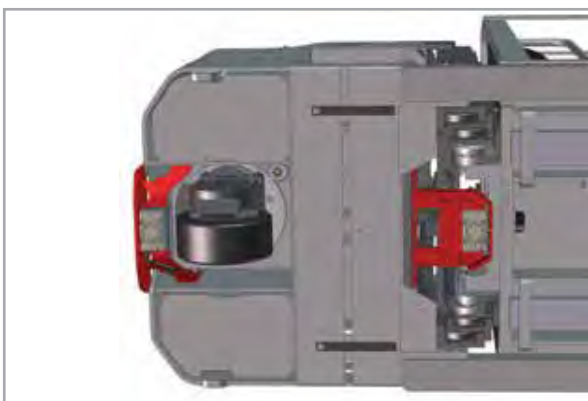
*Travel height above 212" is optional.  
Capacity reduction required.*



*Travel height above 272" is optional.  
Capacity reduction required.*



*Travel height above 150" is optional.  
Capacity reduction required.*



### Wire Guidance System

Our wire guidance system lets the operator focus on the pick task without worrying about steering. It holds the wire firmly, giving the operator the security to achieve high pick rates. The supported wire frequencies include 5.2 kHz or 6.25 kHz and are user-selectable through the dash setup menu. Antennas are adjusted through truck software instead of having to manually move the antennas themselves.



*Steer tiller handle position and steer effort are adjustable to help reduce operator fatigue.*



*The multi-function control handle can be rotated to one of three positions for a comfortable operating stance.*



*The pallet clamp automatically centers and grips the pallet to allow fast, easy order picking.*





# R30XM3 SERIES

R30XM3, R30XMA3, R30XMF3, R30XMS3

ORDERPICKER  
SERIES

## FOUR MODEL CONFIGURATIONS TO MEET YOUR NEEDS



### R30XM3

#### HEAVY DUTY COUNTERBALANCE

- ✓ Heights to 300"
- ✓ 24V system (optional 36V)
- ✓ AC drive and optional AC hoist
- ✓ Variable lift speed control
- ✓ Maximum travel speed: 6.5 mph
- ✓ Maximum lift speed: 67 ft/min
- ✓ Maximum lower speed: 80 ft/min

### R30XMA3

#### STRADDLES LOADS

- ✓ Heights to 360"
- ✓ 24V system (optional 36V)
- ✓ AC drive and optional
- ✓ AC hoist Variable lift speed control
- ✓ Maximum travel speed: 6.5 mph
- ✓ Maximum lift speed: 67 ft/min
- ✓ Maximum lower speed: 80 ft/min





## R30XMS3

### STANDARD DUTY COUNTERBALANCE

- ✓ Heights to 240"
- ✓ 24V system
- ✓ AC drive and DC hoist
- ✓ Single lift speed control
- ✓ Maximum travel speed: 6 mph
- ✓ Maximum lift speed: 40 ft/min
- ✓ Maximum lower speed: 52 ft/min

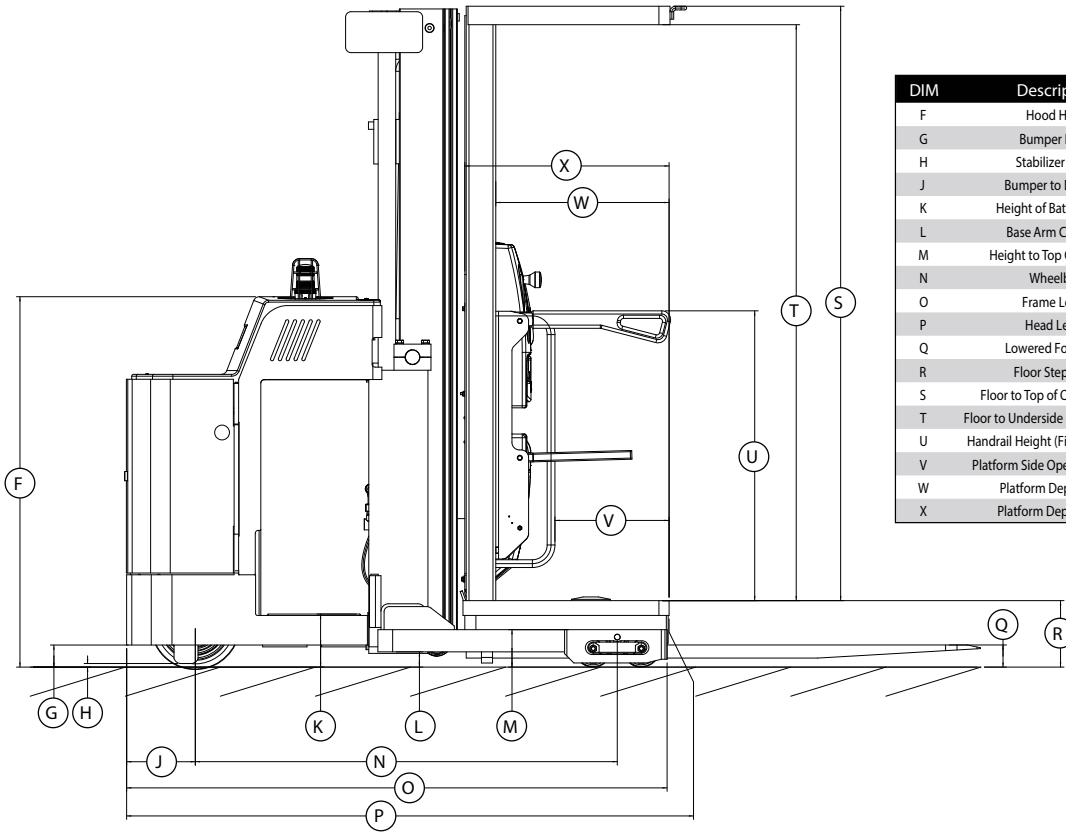


## R30XMF3

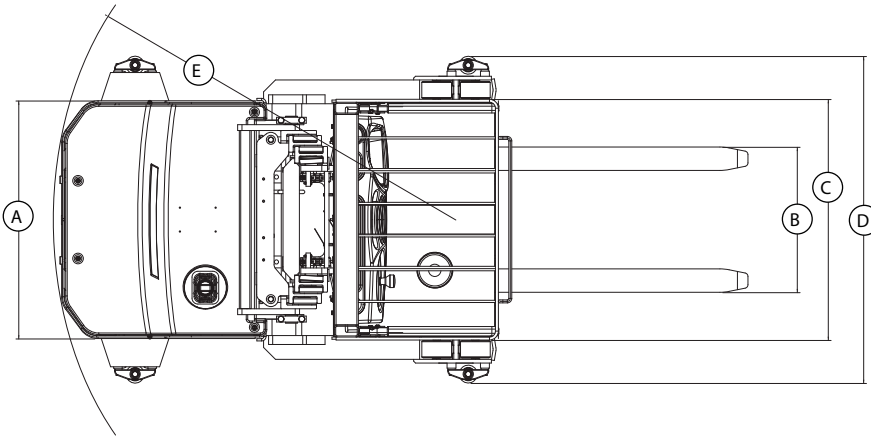
### LOADS UP TO 96" LONG

- ✓ Heights to 360"
- ✓ 24V system (optional 36V)
- ✓ AC drive and DC hoist
- ✓ Variable lift speed control
- ✓ Maximum travel speed: 6.5 mph
- ✓ Maximum lift speed: 67 ft/min
- ✓ Maximum lower speed: 80 ft/min

# R30XM3 DIMENSIONS



DIM	Description	Value in. (mm)
F	Hood Height	50.0 (1270)
G	Bumper Height	3.0 (76)
H	Stabilizer Height	0.5 (12.3)
J	Bumper to Drive Axle	9.3 (236)
K	Height of Battery Rollers	7.2 (182)
L	Base Arm Clearance	2.1 (52)
M	Height to Top Of Base Arms	5.1 (129)
N	Wheelbase	57.1 (1450)
O	Frame Length	73.1 (1856)
P	Head Length	73.3 (1863)
Q	Lowered Fork Height	3.0 (76)
R	Floor Step Height	9.0 (228)
S	Floor to Top of Overhead Guard	80.4 (2042)
T	Floor to Underside of Overhead Guard	77.9 (1978)
U	Handrail Height (Fixed / Retractable)	39.0 / 39.2 (990 / 995)
V	Platform Side Opening (Fixed Rail)	15.4 (392)
W	Platform Depth (Inside)	23.4 (595)
X	Platform Depth (Overall)	27.6 (702)



DIM	Description	Value in. (mm)
A	Frame Width	40.0 (1016)
B	Fork Spread	20.9 to 30.0 (530 to 711)
C	Platform Width	40.2 (1022)
D	Overall Width (w/o Guide Rollers)	40.7 (1043) / 48.3 (1226)
	Overall Width (with Guide Rollers)	48.3 (1227) / 56.0 (1396)
E	Turning Radius*	67.7 (1719)

\*Turning Radius is the same with or without guide rollers

# R30XM3 MAST INFORMATION

Mast Dimensions			
	Maximum Fork Height (TOF)	Overall Lowered Height	Overall Extended Height
	in. (mm)	in. (mm)	in. (mm)
	195" (4953)	89" (2260)	282" (7162)
3-Stage (5.5")	213" (5410)	95" (2415)	300" (7620)
	240" (6096)	105" (2665)	327" (8306)
3-Stage (6.9")	276" (7010)	119" (3023)	363" (9220)
	300" (7620)	131" (3325)	387" (9830)

Lift heights over 300" (7620 mm) maximum fork height may require reduced capacity depending upon OEC dimensions.

Mast Performance				
	Lifting Speed		Lowering Speed	
	Empty	Rated Load†	Empty	Rated Load†
24V DC	67 ft/min (0.340 m/s)	45 ft/min (0.229 m/s)	80 ft/min (0.406 m/s)	80 ft/min (0.406 m/s)
36V DC	78 ft/min (0.396 m/s)	63 ft/min (0.320 m/s)	80 ft/min (0.406 m/s)	80 ft/min (0.406 m/s)
36V AC	85 ft/min (0.432 m/s)	60 ft/min (0.305 m/s)	80 ft/min (0.406 m/s)	80 ft/min (0.406 m/s)

† Rated load figures are based on 3000 lb. (1361 kg) load and a 24" load center.

NOTE: Performance specifications are for truck with Standard Equipment. Performance specifications are affected by the condition of the vehicle and how it is equipped as well as the nature and condition of the operating area. If these specifications are critical, the proposed application should be discussed with your dealer.



# R30XM3 SPECIFICATIONS

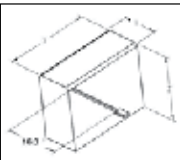
GENERAL	1 Manufacturer			HYSTER	HYSTER	
		2 Model Designation			R30XM <sub>3</sub>	R30XM <sub>3</sub>
	3 Power / Voltage			Electric / 24 Volts	Electric / 36 Volts	
	4 Operation Type			Stand-up	Stand-up	
	5 Rated Capacity		lb. (kg)	3000 (1361)	3000	
	6 Load Center		in. (mm)	24 (609)	24 (609)	
	7 Tire Type, front / rear		load / drive	Poly / Poly	Poly / Poly	
	8 Wheels (X=driven)		front / rear	4 / (1X)	4 / (1X)	
	9 Mast - 3-Stage (TOF)		in. (mm)	See Mast Chart	See Mast Chart	
	10 Operator Clearance Height		in. (mm)	77.9 (1978)	77.9 (1978)	
	11 Forks, Width / Thickness		in. (mm)	4 / 1.8 (102 / 46)	4 / 1.8 (102 / 46)	
DIMENSIONS	12 Fork Spread, Inside to Inside		Minimum / Maximum	in. (mm)	13 / 20 (330 / 508)	13 / 20 (330 / 508)
	13 Fork Spread, Outside to Outside		Minimum / Maximum	in. (mm)	21 / 28 (533 / 710)	21 / 28 (533 / 710)
	14 Top of Fork, Mast Lowered			in. (mm)	3 (76)	3 (76)
	15 Head Length, length to face of operator deck		3-Stage	in. (mm)	73.3 (1863)	73.3 (1863)
	16 Base Width 41" / width across guide rollers			in. (mm)	40.7 / 48.3 (1035 / 1226)	40.7 / 48.3 (1035 / 1226)
	17 Base Width 48" / width across guide rollers			in. (mm)	48.3 / 56 (1226 / 1396)	48.3 / 56 (1219 / 1396)
	18 Height, Standard 3 Stage Mast Lowered			in. (mm)	89 (2261)	89 (2261)
	19 Operator Platform Size		Width / Depth	in. (mm)	40 / 27.5 (1016 / 698)	40 / 27.5 (1022 / 698)
	20 Turning Radius, minimum outside			in. (mm)	67.7 (1719)	67.7 (1719)
	21 Stacking Aisle, Zero Clearance		5.5" 3-Stage Mast	in. (mm)	122.7 (3116)	122.7 (3116)
	22 Intersecting Aisle, equal aisles 40" W x 48" L pallet		Standard Mast	in. (mm)	70.1 (1780)	70.1 (1780)
	23 Stability, Comply with ANSI?				YES	YES
PERFORM.	24 Travel Speed*		NL / RL	mph (km/h)	6.5 / 6.5 (10.5 / 10.5)	6.5 / 6.5 (10.5 / 10.5)
	25 Lift Speed		NL / RL	ft/min	See Performance Chart	See Performance Chart
	26 Lower Speed		NL / RL	ft/min	See Performance Chart	See Performance Chart
WT.	27 Truck Weight		Without Battery	NL	lb. (kg)	3845 (1744)
	28 Axle Loading - Drive		Static with Max. Wt. Battery	NL / RL	lb. (kg)	3338 / 2321 (1514 / 1053)
	29 Axle Loading - Load Wheels		Static with Max. Wt. Battery	NL / RL	lb. (kg)	2407 / 6422 (1092 / 2913)
WHEELS/TIRES	30 Tire Size, Drive			in. (mm)	12 / 5.5 (305 / 140)	12 / 5.5 (305 / 140)
	31 Tire Size, Loadwheel			in. (mm)	5.0 / 3.0 (127 / 76)	5.0 / 3.0 (127 / 76)
	32 Wheelbase			in. (mm)	57.1 (1450)	57.1 (1450)
	33 Ground Clearance		No load, lowest point	in. (mm)	0.6 (14)	0.6 (14)
	34 Ground Clearance		No load, center wheelbase	in. (mm)	1.9 (47)	1.9 (47)
ELECTRIC	35 Brakes, Method of Control		Service / Parking		Foot	Foot
	36 Brakes, Method of Operation		Service / Parking		Spring Applied / Electric Released	Spring Applied / Electric Released
	37 Battery		Type		Lead Acid	Lead Acid
	38		Volts		24	36
	39		Minimum Weight	lb. (kg)	1600 (726)	1600 (726)
	40 Traction Motor Control Method				AC Transistor	AC Transistor
	41 Pump Motor Control Method				Contactora	Contactora
42 Number of Travel Speeds				Infinitely Variable	Infinitely Variable	

Right Angle Stack and Equal Intersecting Aisle dimensions provided with a 40" wide x 48" long pallet load, allowing zero clearance.

\*Speeds are the same in either direction, with or without rated load. Steer angle <10 degrees.

CERTIFICATION: These Hyster lift trucks meet design specifications of Part II ANSI B56.1-1969, as required by OSHA Section 1910.178(a)(2) and also comply with Part III ANSI B56.1-revision in effect at time of manufacture. Certification of compliance with the applicable ANSI standards appears on the lift truck. Performance specifications are for a truck equipped as described under Standard Equipment on this Technical Guide. Performance specifications are affected by the condition of the vehicle and how it is equipped, as well as by the nature, condition of the operating area, proper service and maintenance of the vehicle. If these specifications are critical, the proposed application should be discussed with your dealer.

Battery Specifications							
Number of Cells	Cell Size	Plates per Cell	Capacity 6 Hr Rate amp hr (kwh)	Battery Dimensions			Weight lb. (kg)
				"X" (Width) in. (mm)	"Y" (Length) in. (mm)	"Z" (Height) in. (mm)	
12	125	17	1000 (23.4)	38.1 (969)	13.5 (342)	30.6 (776)	1818 (825)
12	140	17	1120 (26.2)	38.1 (969)	13.5 (342)	30.6 (776)	1851 (840)
12	155	17	1240 (29.0)	38.1 (969)	13.5 (342)	30.6 (776)	1860 (844)
18	125	11	625 (21.9)	38.1 (967)	13.3 (339)	30.6 (776)	1800 (816)
18	140	11	700 (24.6)	38.1 (967)	13.3 (339)	30.6 (776)	1849 (839)
18	155	11	775 (27.2)	38.1 (967)	13.3 (339)	30.6 (776)	1859 (843)



Battery Compartment Length is measured from front to rear. Battery Compartment Width is measured across truck. SB350 Amp "Red" Connector, Cable Position B, Cable Length 16" (405mm). Maximum Cable Gauge 1/0 AWG. Battery with lid will NOT fit in battery compartment. Battery Weight Range 1600 - 1900 lbs. Amp Hour Capacity Min / Max - 24 volt truck 960 / 1240. 36 volt truck 600 / 775.

Travel Speeds (24V & 36V)		
Fork Height in (mm)	Steer Angle <10° mph (kph)	Steer Angle >10° mph (kph)
0 (0)	6.5 (10.5)	6.5 (10.5)
24 (610)	6.5 (10.5)	3.0 (4.8)
60 (1524)	6.0 (9.7)	2.6 (4.2)
116 (2946)	4.2 (6.7)	2.0 (3.2)
150 (3810)	3.0 (4.9)	1.6 (2.6)
195 (4953)	1.6 (2.6)	1.2 (1.9)
212 (5385)	1.0 (1.6)	1.0 (1.6)
>212 (5385)	No Travel*	No Travel*

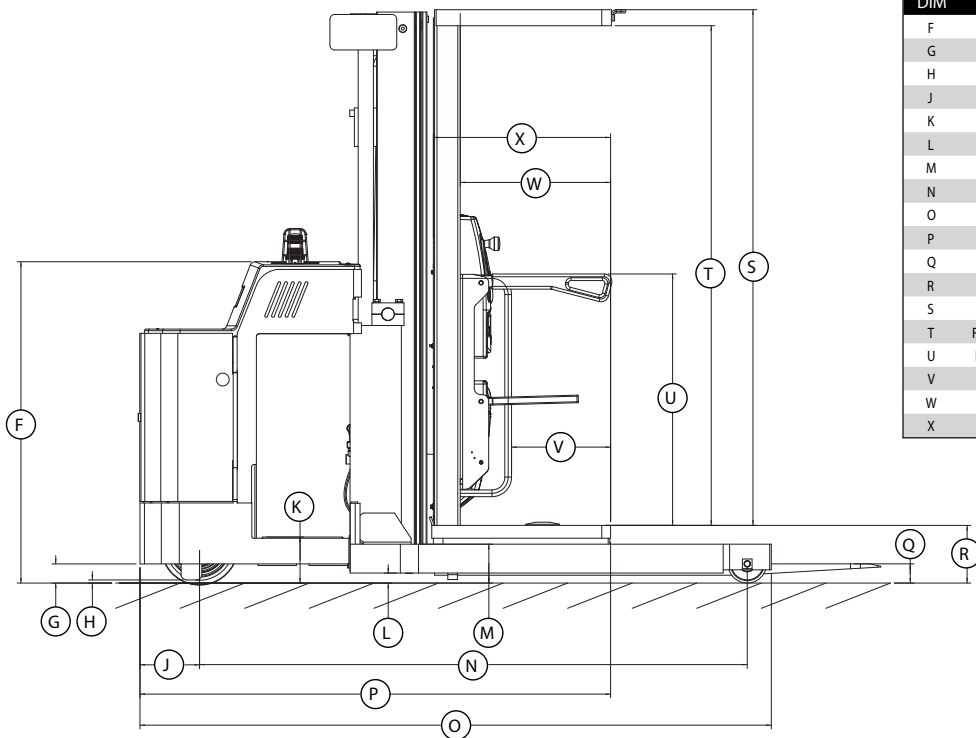
Note: Speed limits are for trucks at operating temperature with fully charged battery. Speeds are the same in either direction, with or without rated load.

For lift heights between 24.0" (610 mm) and 212.0" (5385 mm), traction speed is reduced when steering angle exceeds 10°.

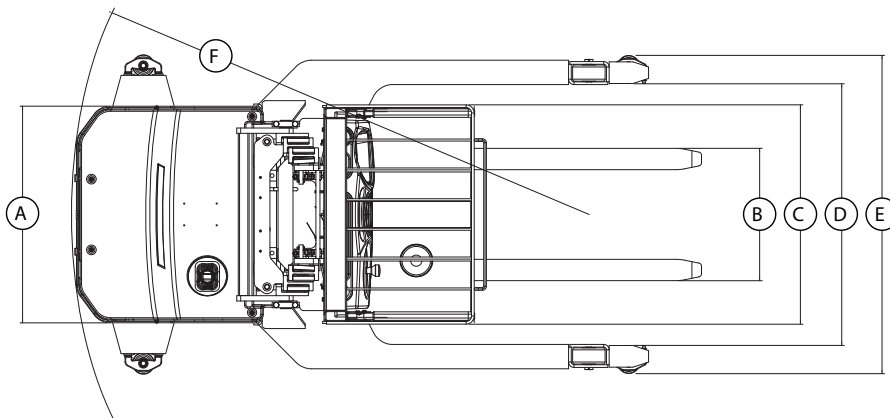
\* Travel above 212.0" (5385 mm) fork height requires a High level traction option. Capacity reduction required.

Contact your local dealer for additional information.

# R30XMA3 DIMENSIONS



DIM	Description	Value in. (mm)
F	Hood Height	50.0 (1270)
G	Bumper Height	3.0 (76)
H	Stabilizer Height	0.48 (12.3)
J	Bumper to Drive Axle	9.3 (236)
K	Height of Battery Rollers	7.2 (182)
L	Base Arm Clearance	1.6 (40)
M	Height to Top Of Base Arms	6.1 (154)
N	Wheelbase	85.4 (2168)
O	Frame Length	98.4 (2500)
P	Head Length	73.3 (1863)
Q	Lowered Fork Height	3.0 (76)
R	Floor Step Height	9.0 (228)
S	Floor to Top of Overhead Guard	80.4 (2042)
T	Floor to Underside of Overhead Guard	77.9 (1978)
U	Handrail Height (Fixed / Retractable)	39.0 / 39.2 (990 / 995)
V	Platform Side Opening (Fixed Rail)	15.4 (392)
W	Platform Depth (Inside)	23.4 (595)
X	Platform Depth (Overall)	27.6 (702)



DIM	Description	Value in. (mm)
A	Frame Width	40.0 (1016)
B	Fork Spread	20.9 to 30.0 (530 to 711)
C	Platform Width	40.2 (1022)
D	Open End Clearance (OEC)	42.0 / 44.0 / 46.0 / 48.0 (1067 / 1118 / 1168 / 1219)
E	Overall Width (w/o Guide Rollers)	51.3 / 53.3 / 55.3 / 57.3 (1303 / 1354 / 1404 / 1455)
E	Overall Width (w/ Guide Rollers)	52.8 / 54.8 / 56.8 / 58.8 (1340 / 1391 / 1442 / 1493)
F	Turning Radius*	95.6 (2428)

\*Turning Radius is the same with or without guide rollers

# R30XMA3 MAST INFORMATION

Mast Dimensions			
	Maximum Fork Height (TOF)	Overall Lowered Height	Overall Extended Height
	in. (mm)	in. (mm)	in. (mm)
3-Stage (5.5")	195" (4953)	89" (2260)	282" (7162)
	213" (5410)	95" (2415)	300" (7620)
	240" (6096)	105" (2665)	327" (8306)
	270" (6858)	119" (3023)	357" (9068)
3-Stage (6.9")	300" (7620)	131" (3325)	387" (9830)
	330" (8382)	143" (3632)	417" (10592)
	348" (8839)	151" (3835)	435" (11050)
	360" (9144)	155" (3937)	447" (11354)

Lift heights over 360" (9144 mm) maximum fork height may require reduced capacity depending upon OEC dimensions.

Mast Performance				
	Lifting Speed		Lowering Speed	
	Empty	Rated Load <sup>†</sup>	Empty	Rated Load <sup>†</sup>
24V DC	67 ft/min (0.340 m/s)	45 ft/min (0.229 m/s)	80 ft/min (0.406 m/s)	80 ft/min (0.406 m/s)
36V DC	78 ft/min (0.396 m/s)	63 ft/min (0.320 m/s)	80 ft/min (0.406 m/s)	80 ft/min (0.406 m/s)
36V AC	85 ft/min (0.432 m/s)	60 ft/min (0.305 m/s)	80 ft/min (0.406 m/s)	80 ft/min (0.406 m/s)

<sup>†</sup> Rated load figures are based on 3000 lb. (1361 kg) load and a 24" load center.  
NOTE: Performance specifications are for truck with Standard Equipment. Performance specifications are affected by the condition of the vehicle and how it is equipped as well as the nature and condition of the operating area. If these specifications are critical, the proposed application should be discussed with your dealer.



# R30XMA3 SPECIFICATIONS

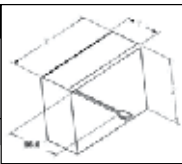
	GENERAL		DIMENSIONS		PERFORM		WT.		WHEELS/TIRES		ELECTRIC	
	Item	Value	Item	Value	Item	Value	Item	Value	Item	Value	Item	Value
1	Manufacturer											
2	Model Designation											
3	Power / Voltage											
4	Operation Type											
5	Rated Capacity	lb. (kg)										
6	Load Center	in. (mm)										
7	Tire Type, front / rear	load / drive										
8	Wheels (X=driven)	front / rear										
9	Mast - 3-Stage (TOF)	in. (mm)										
10	Operator Clearance Height	in. (mm)										
11	Forks, Width / Thickness	in. (mm)										
12	Fork Spread, Inside to Inside	Minimum / Maximum	in. (mm)									
13	Fork Spread, Outside to Outside	Minimum / Maximum	in. (mm)									
14	Top of Fork, Mast Lowered	in. (mm)										
15	Head Length, length to face of operator deck	3-Stage	in. (mm)									
16	Base Width / width across guide rollers	in. (mm)										
17	Height, Standard 3 Stage Mast Lowered	in. (mm)										
18	Operator Platform Size	Width / Depth	in. (mm)									
19	Turning Radius, minimum outside	in. (mm)										
20	Stacking Aisle, Zero Clearance	5.5" 3-Stage Mast	in. (mm)									
21	Intersecting Aisle, equal aisles 40" W x 48" L pallet	Standard Mast	in. (mm)									
22	Stability, Comply with ANSI?											
23	Travel Speed*	NL / RL	mph (km/h)									
24	Lift Speed	NL / RL	ft/min									
25	Lower Speed	NL / RL	ft/min									
26	Truck Weight	Without Battery	NL	lb. (kg)								
27	Axle Loading - Drive	Static with Max. Wt. Battery	NL / RL	lb. (kg)								
28	Axle Loading - Load Wheels	Static with Max. Wt. Battery	NL / RL	lb. (kg)								
29	Tire Size, Drive		in. (mm)									
30	Tire Size, Loadwheel		in. (mm)									
31	Wheelbase		in. (mm)									
32	Ground Clearance	No load , lowest point	in. (mm)									
33	Ground Clearance	No load , center wheelbase	in. (mm)									
34	Brakes, Method of Control	Service / Parking										
35	Brakes, Method of Operation	Service / Parking										
36	Battery	Type										
37		Volts										
38		Minimum Weight	lb. (kg)									
39	Traction Motor Control Method											
40	Pump Motor Control Method											
41	Number of Travel Speeds											

Right Angle Stack and Equal Intersecting Aisle dimensions provided with a 40" wide x 48" long pallet load, allowing zero clearance.

\*Speeds are the same in either direction, with or without rated load. Steer angle <10 degrees.

CERTIFICATION: These Hyster lift trucks meet design specifications of Part II ANSI B56.1-1969, as required by OSHA Section 1910.178(a)(2) and also comply with Part III ANSI B56.1-revision in effect at time of manufacture. Certification of compliance with the applicable ANSI standards appears on the lift truck. Performance specifications are for a truck equipped as described under Standard Equipment on this Technical Guide. Performance specifications are affected by the condition of the vehicle and how it is equipped, as well as by the nature, condition of the operating area, proper service and maintenance of the vehicle. If these specifications are critical, the proposed application should be discussed with your dealer.

Battery Specifications							
Number of Cells	Cell Size	Plates per Cell	Capacity 6 Hr Rate amp hr (kwh)	Battery Dimensions			Weight lb. (kg)
				"X" (Width) in. (mm)	"Y" (Length) in. (mm)	"Z" (Height) in. (mm)	
12	125	17	1000 (23.4)	38.1 (969)	13.5 (342)	30.6 (776)	1818 (825)
12	140	17	1120 (26.2)	38.1 (969)	13.5 (342)	30.6 (776)	1851 (840)
12	155	17	1240 (29.0)	38.1 (969)	13.5 (342)	30.6 (776)	1860 (844)
18	125	11	625 (21.9)	38.1 (967)	13.3 (339)	30.6 (776)	1800 (816)
18	140	11	700 (24.6)	38.1 (967)	13.3 (339)	30.6 (776)	1849 (839)
18	155	11	775 (27.2)	38.1 (967)	13.3 (339)	30.6 (776)	1859 (843)



Battery Compartment Length is measured from front to rear. Battery Compartment Width is measured across truck. SB350 Amp "Red" Connector; Cable Position B, Cable Length 16" (405mm). Maximum Cable Gauge 1/0 AWG. Battery with lid will NOT fit in battery compartment. Battery Weight Range 1500 - 2000 lbs. Amp Hour Capacity Min / Max - 24 volt truck 960 / 1240. 36 volt truck 600 / 775.

Travel Speeds (24V & 36V)		
Fork Height in (mm)	Steer Angle <10° mph (kph)	Steer Angle >10° mph (kph)
0 (0)	6.5 (10.5)	6.5 (10.5)
24 (610)	6.5 (10.5)	3.0 (4.8)
60 (1524)	6.0 (9.7)	2.7 (4.4)
116 (2946)	4.7 (7.5)	2.3 (3.6)
150 (3810)	3.9 (6.2)	2.0 (3.2)
195 (4953)	2.8 (4.5)	1.6 (2.6)
250 (6350)	1.5 (2.4)	1.2 (1.9)
272 (6909)	1.0 (1.6)	1.0 (1.6)
>272 (6909)	No Travel*	No Travel*

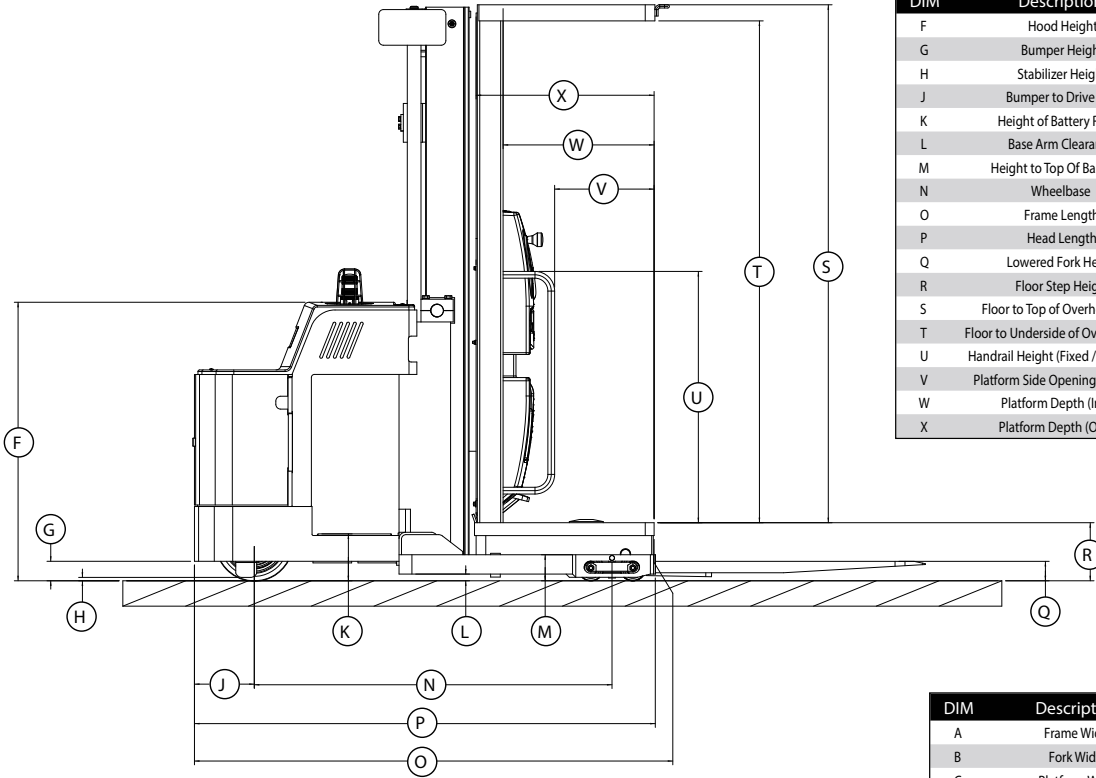
Note: Speed limits are for trucks at operating temperature with fully charged battery. Speeds are the same in either direction, with or without rated load.

For lift heights between 24.0" (610 mm) and 272.0" (6909 mm), traction speed is reduced when steering angle exceeds 10°.

\* Travel above 272.0" (6909 mm) fork height requires a High level traction option. Capacity reduction required.

Contact your local dealer for additional information.

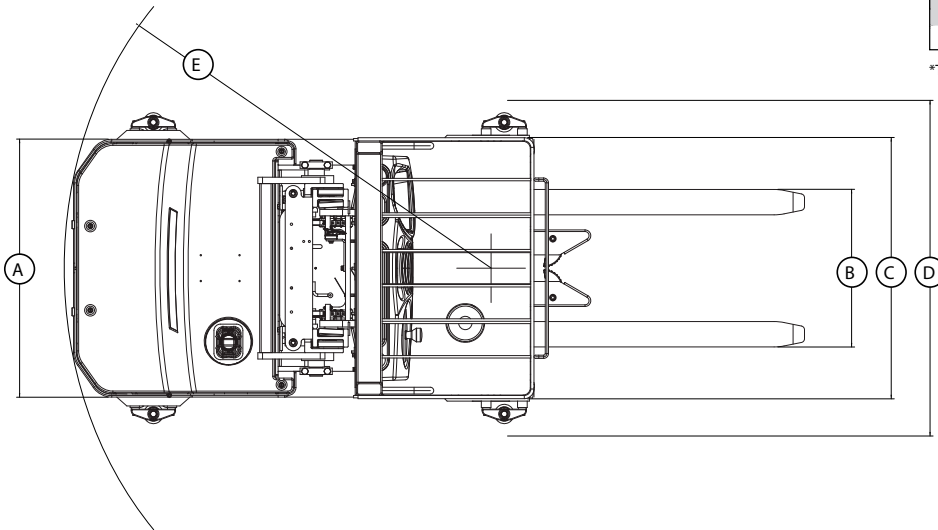
# R30XMS3 DIMENSIONS



DIM	Description	Value in. (mm)
F	Hood Height	43.1 (1096)
G	Bumper Height	3.0 (76)
H	Stabilizer Height	0.5 (12.4)
J	Bumper to Drive Axle	9.3 (236)
K	Height of Battery Rollers	7.2 (184)
L	Base Arm Clearance	1.0 (26)
M	Height to Top Of Base Arms	4.0 (102)
N	Wheelbase	55.5 (1410)
O	Frame Length	71.52 (1817)
P	Head Length	71.3 (1812) / 72.3 (1837)
Q	Lowered Fork Height	3.0 (76)
R	Floor Step Height	9.0 (228)
S	Floor to Top of Overhead Guard	80.4 (2042)
T	Floor to Underside of Overhead Guard	77.9 (1978)
U	Handrail Height (Fixed / Retractable)	39.0 / 39.2 (990 / 995)
V	Platform Side Opening (Fixed Rail)	15.4 (392)
W	Platform Depth (Inside)	23.4 (595)
X	Platform Depth (Overall)	27.6 (702)

DIM	Description	Value in. (mm)
A	Frame Width	40 (1016)
B	Fork Width	20.9 to 28.0 (530 to 711)
C	Platform Width	40.2 (1022)
D	Overall Width (w/o Guide Rollers)	41.3 (1048) / 48.0 (1219)
D	Overall Width (with Guide Rollers)	48.3 (1226) / 55.0 (1397)
E	Turning Radius*	66.2 (1681)

\*Turning Radius is the same with or without guide rollers



# R30XMS3 MAST INFORMATION

24V	Mast Performance			
	Lifting Speed		Lowering Speed	
	Empty	Rated Load	Empty	Rated Load
2-Stage	40 ft/min (0.203 m/s)	25 ft/min (0.127 m/s)	52 ft/min (0.264 m/s)	52 ft/min (0.264 m/s)
3-Stage	42 ft/min (0.213 m/s)	26 ft/min (0.132 m/s)	60 ft/min (0.305 m/s)	58 ft/min (0.295 m/s)

NOTE: Performance specifications are for truck with Standard Equipment. Performance specifications are affected by the condition of the vehicle and how it is equipped as well as the nature and condition of the operating area. If these specifications are critical, the proposed application should be discussed with your dealer.

	Mast Dimensions		
	Maximum Fork Height (TOF)	Overall Lowered Height	Overall Extended Height
	in. (mm)	in. (mm)	in. (mm)
2-Stage	135" (3429)	89" (2260)	222" (5638)
	147" (3735)	95" (2415)	234" (5943)
	165" (4190)	105" (2565)	252" (6400)
3-Stage	195" (4953)	89" (2260)	282" (7162)
	213" (5410)	95" (2415)	300" (7620)
	228" (5790) *	101" (2565)	315" (8001)
	240" (6096) *	105" (2665)	327" (8306)

Lift heights over 240" (6096 mm) maximum fork height may require reduced capacity depending upon OEC dimensions.

\* Capacity will be reduced with 228" and 240" Masts and 41" Outriggers. Refer to High Lift Sheets.



# R30XMS3 SPECIFICATIONS

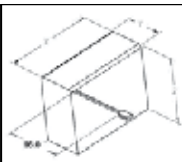
GENERAL	1	Manufacturer			HYSTER	
	2	Model Designation			R30XMS	
	3	Power / Voltage			Electric / 24 Volts	
	4	Operation Type			Stand-up	
	5	Rated Capacity		lb. (kg)	3000 (1361)	
	6	Load Center		in. (mm)	24 (609)	
	7	Tire Type, front / rear		load / drive	Poly / Poly	
	8	Wheels (X=driven)		front / rear	4 / (1X)	
DIMENSIONS	9	Mast – 2-Stage / 3-Stage (TOF)		in. (mm)	See Mast Chart	
	10	Operator Clearance Height		in. (mm)	77.9 (1978)	
	11	Forks, Width / Thickness		in. (mm)	4 / 1.75 (102 / 45)	
	12	Fork Spread, Inside to Inside	Minimum / Maximum	in. (mm)	13 / 20 (330 / 508)	
	13	Fork Spread, Outside to Outside	Minimum / Maximum	in. (mm)	21 / 28 (533 / 710)	
	14	Top of Fork, Mast Lowered		in. (mm)	3 (76)	
	15	Head Length, length to face of operator deck	2-Stage / 3-Stage	in. (mm)	71.3 / 72.3 (1812 / 1837)	
	16	Base Width 41" / width across guide rollers		in. (mm)	41.3 / 48.3 (1048 / 1226)	
	17	Base Width 48" / width across guide rollers		in. (mm)	48 / 55 (1219 / 1397)	
	18	Height, Standard 2 Stage Mast Lowered		in. (mm)	89 (2261)	
PERFORM.	19	Operator Platform Size	Width / Depth	in. (mm)	40 / 27.5 (1016 / 698)	
	20	Turning Radius, minimum outside		in. (mm)	66.2 (1681)	
	21	Stacking Aisle, Zero Clearance	2 Stage / 3 Stage	in. (mm)	120.6 / 121.7 (3063 / 3091)	
	22	Intersecting Aisle, equal aisles 40" x 48" pallet	w/o Guide Rollers	in. (mm)	69.92 (1780)	
	23	Stability, Comply with ANSI?			YES	
	24	Travel Speed *	NL / RL	mph (km/h)	6 / 6 (9.6 / 9.6)	
WT.	25	Lift Speed	NL / RL	ft/min	See Performance Chart	
	26	Lower Speed	NL / RL	ft/min	See Performance Chart	
	27	Truck Weight	Without Battery	NL	lb. (kg)	4266 (1935)
WHEELS/TIRES	28	Axle Loading - Drive	Static with Max. Wt. Battery	NL / RL	lb. (kg)	3283 / 2282 (1489 / 1035)
	29	Axle Loading - Load Wheels	Static with Max. Wt. Battery	NL / RL	lb. (kg)	2183 / 6184 (990 / 2805)
	30	Tire Size, Drive		in. (mm)	12 / 5.5 (305 / 140)	
ELECTRIC	31	Tire Size, Loadwheel		in. (mm)	4.0 / 3.0 (102 / 76)	
	32	Wheelbase		in. (mm)	55.5 (1410)	
	33	Ground Clearance	No load, lowest point	in. (mm)	0.5 (14)	
	34	Ground Clearance	No load, center wheelbase	in. (mm)	1 (25.4)	
35	Brakes, Method of Control		Service / Parking		Foot	
36	Brakes, Method of Operation		Service / Parking		Spring Applied / Electric Released	
37	Battery	Type			Lead Acid	
38		Volts			24	
39		Minimum Weight		lb. (kg)	900 (408)	
40	Traction Motor Control Method				AC Transistor	
41	Pump Motor Control Method				Contacttor	
42	Number of Travel Speeds				Infinitely Variable	

Right Angle Stack and Equal Intersecting Aisle dimensions provided with a 40" wide x 48" long pallet load, allowing zero clearance.

\*Speeds are the same in either direction, with or without rated load. Steer angle <10 degrees.

CERTIFICATION: These Hyster lift trucks meet design specifications of Part II ANSI B56.1-1969, as required by OSHA Section 1910.178(a)(2) and also comply with Part III ANSI B56.1-revision in effect at time of manufacture. Certification of compliance with the applicable ANSI standards appears on the lift truck. Performance specifications are for a truck equipped as described under Standard Equipment on this Technical Guide. Performance specifications are affected by the condition of the vehicle and how it is equipped, as well as by the nature, condition of the operating area, proper service and maintenance of the vehicle. If these specifications are critical, the proposed application should be discussed with your dealer.

Battery Specifications							
Number of Cells	Cell Size	Plates per Cell	Capacity 6 Hr Rate amp hr (kwh)	Battery Dimensions			Weight lb. (kg)
				"X" (Width) in. (mm)	"Y" (Length) in. (mm)	"Z" (Height) in. (mm)	
12	85	15	595 (13.9)	35.2 (895)	12.9 (327)	23.2 (589)	1130 (513)
12	100	15	700 (16.4)	35.2 (893)	12.9 (327)	23.1 (586)	1240 (562)
12	110	15	770 (18.0)	35.2 (893)	12.9 (327)	23.2 (590)	1200 (544)



Battery Compartment Length is measured from front to rear. Battery Compartment Width is measured across truck. SB175 Amp "Red" Connector, Cable Position B, Cable Length 16" (405mm). Maximum Cable Gauge 1/0 AWG. Battery with lid will NOT fit in battery compartment. Amp Hour Capacity Min / Max 24 Volt truck 560 / 770. Battery Weight Range Min / Max 900 - 1200 lbs.

Travel Speeds (24V)		
Fork Height in (mm)	Steer Angle <10° mph (kph)	Steer Angle >10° mph (kph)
0 (0)	6.0 (9.7)	6.0 (9.7)
24 (610)	6.0 (9.7)	3.0 (4.8)
60 (1524)	6.0 (9.7)	2.4 (3.9)
116 (2946)	2.7 (4.3)	1.5 (2.4)
150 (3810)	1.0 (1.6)	1.0 (1.6)
>150 (3810)	No Travel*	No Travel*

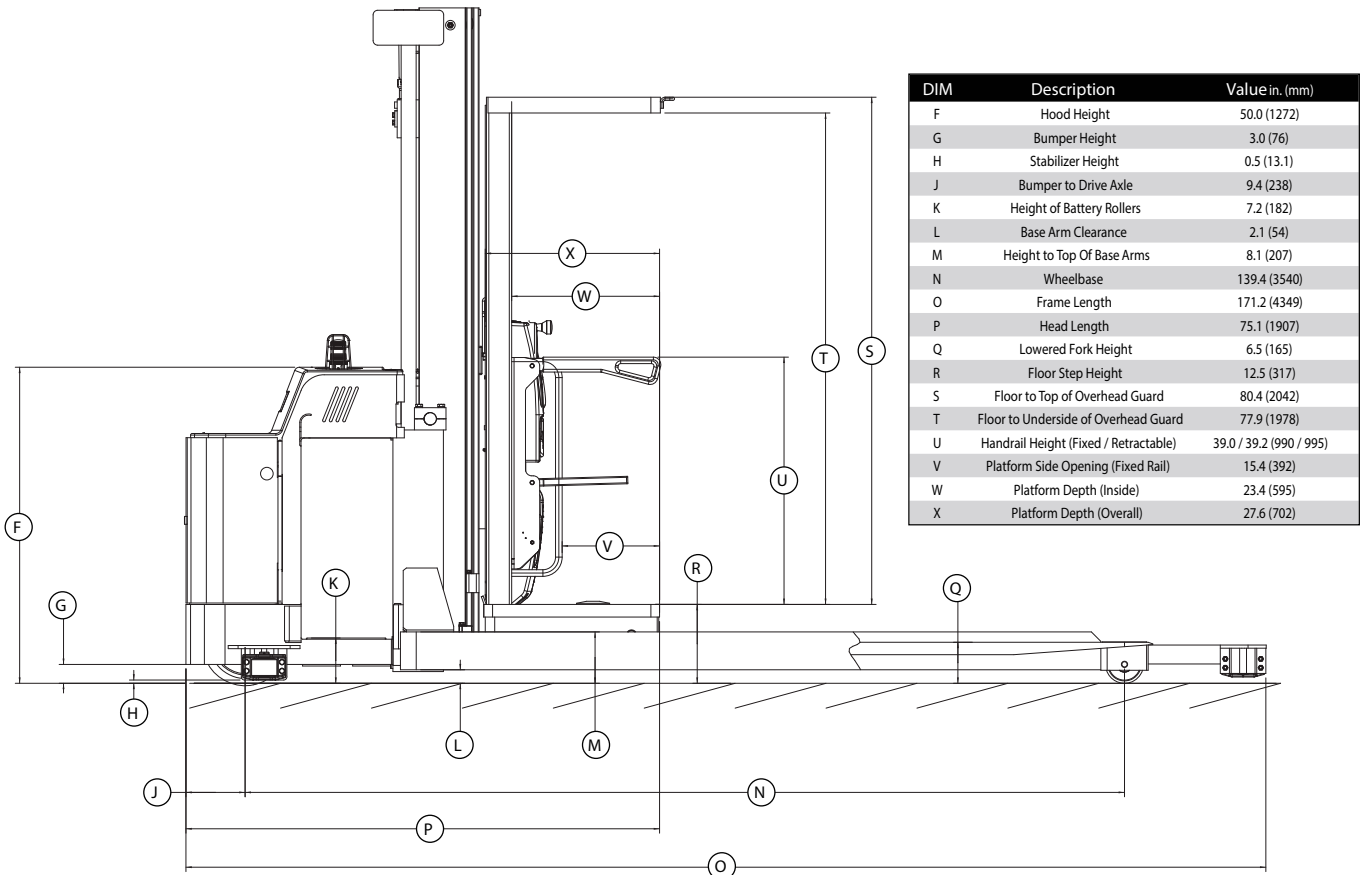
Note: Speed limits are for trucks at operating temperature with fully charged battery. Speeds are the same in either direction, with or without rated load.

For lift heights between 24.0" (610 mm) and 150.0" (3810 mm), traction speed is reduced when steering angle exceeds 10°.

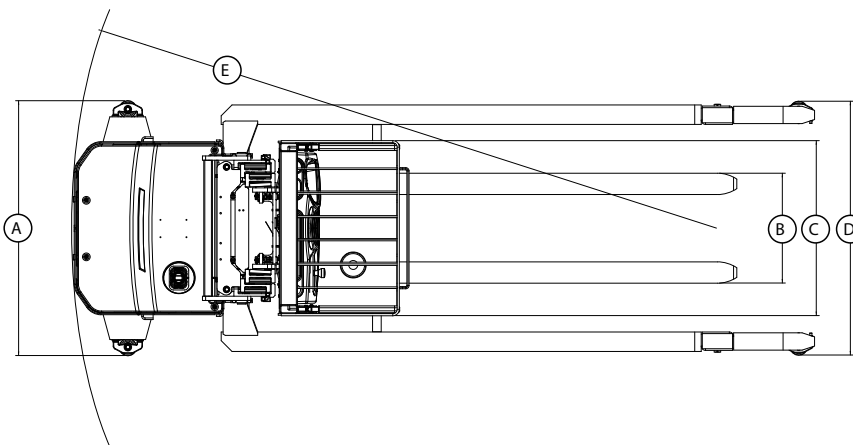
\* Travel above 150.0" (3810 mm) fork height requires a High level traction option. Capacity reduction required.

Contact your local dealer for additional information.

# R30XMF3 DIMENSIONS



DIM	Description	Value in. (mm)
F	Hood Height	50.0 (1272)
G	Bumper Height	3.0 (76)
H	Stabilizer Height	0.5 (13.1)
J	Bumper to Drive Axle	9.4 (238)
K	Height of Battery Rollers	7.2 (182)
L	Base Arm Clearance	2.1 (54)
M	Height to Top Of Base Arms	8.1 (207)
N	Wheelbase	139.4 (3540)
O	Frame Length	171.2 (4349)
P	Head Length	75.1 (1907)
Q	Lowered Fork Height	6.5 (165)
R	Floor Step Height	12.5 (317)
S	Floor to Top of Overhead Guard	80.4 (2042)
T	Floor to Underside of Overhead Guard	77.9 (1978)
U	Handrail Height (Fixed / Retractable)	39.0 / 39.2 (990 / 995)
V	Platform Side Opening (Fixed Rail)	15.4 (392)
W	Platform Depth (Inside)	23.4 (595)
X	Platform Depth (Overall)	27.6 (702)



DIM	Description	Value in. (mm)
A	Frame Width	52.5 (1334)
		54.5 (1384)
		56.8 (1435)
		58.5 (1486)
B	Fork Width	22.8 to 28.0 (580 to 711)
C	Platform Width	40.2 (1022)
		52.5 (1334)
D	Overall Width	54.5 (1384)
		59.8 (1435)
		58.5 (1486)
E	Turning Radius	149 (3793)

# R30XMS3 MAST INFORMATION

Mast Performance				
	Lifting Speed		Lowering Speed	
	Empty	Rated Load†	Empty	Rated Load†
24V DC	67 ft/min (0.340 m/s)	45 ft/min (0.229 m/s)	80 ft/min (0.406 m/s)	80 ft/min (0.406 m/s)
36V DC	78 ft/min (0.396 m/s)	63 ft/min (0.320 m/s)	80 ft/min (0.406 m/s)	80 ft/min (0.406 m/s)

† Rated load figures are based on 1500 lb. load (680 kg) and a 48" load center.  
 NOTE: Performance specifications are for truck with Standard Equipment. Performance specifications are affected by the condition of the vehicle and how it is equipped as well as the nature and condition of the operating area. If these specifications are critical, the proposed application should be discussed with your dealer.

	Mast Dimensions		
	Maximum Fork Height (TOF)	Overall Lowered Height	Overall Extended Height
	in. (mm)	in. (mm)	in. (mm)
3-Stage (6.9")	240" (6096)	107" (2718)	327" (8306)
	270" (6858)	119" (3023)	357" (9068)
	300" (7620)	131" (3325)	387" (9830)
	330" (8382)	143" (3632)	417" (10592)
	360" (9144)	155" (3937)	447" (11354)

Lift heights over 360" (9144 mm) maximum fork height may require reduced capacity depending upon OEC dimensions.

# R30XMf3 SPECIFICATIONS

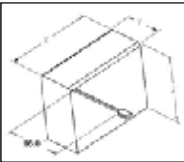
GENERAL	1 Manufacturer			HYSTER	HYSTER	
		2 Model Designation			R30XMf3	R30XMf3
	3 Power / Voltage			Electric / 24 Volts	Electric / 36 Volts	
	4 Operation Type			Stand-up	Stand-up	
	5 Rated Capacity		lb. (kg)	1500 (680)	1500 (680)	
	6 Load Center		in. (mm)	48 (1219)	48 (1219)	
	7 Tire Type, front / rear		load / drive	Poly / Poly	Poly / Poly	
	8 Wheels (X=driven)		front / rear	2 / 3 / (1X)	2 / 3 / (1X)	
	9 Mast - 3-Stage (TOF)		in. (mm)	See Mast Chart	See Mast Chart	
	10 Operator Clearance Height		in. (mm)	77.9 (1978)	77.9 (1978)	
DIMENSIONS	11 Forks, Width / Thickness		in. (mm)	5 / 2 (130 / 50)	5 / 2 (130 / 50)	
	12 Fork Spread, Inside to Inside		Minimum / Maximum in. (mm)	13 / 18 (330 / 457)	13 / 18 (330 / 457)	
	13 Fork Spread, Outside to Outside		Minimum / Maximum in. (mm)	23 / 28 (584 / 710)	21 / 28 (533 / 710)	
	14 Top of Fork, Mast Lowered		in. (mm)	6.5 (165)	6.5 (165)	
	15 Head Length, length to face of operator deck		3-Stage in. (mm)	75.1 (1907)	75.1 (1907)	
	16 Base Width		in. (mm)	See Chart	See Chart	
	17 Height, Standard 3 Stage Mast Lowered		in. (mm)	107 (2718)	107 (2718)	
	18 Operator Platform Size		Width / Depth in. (mm)	40 / 27.5 (1016 / 698)	40 / 27.5 (1016 / 698)	
	19 Turning Radius, minimum outside		in. (mm)	149.3 (3793)	149.3 (3793)	
	20 Stacking Aisle, Zero Clearance w / 48" W x 96" L pallet		in. (mm)	163.2 (4145)	163.2 (4145)	
21 Intersecting Aisle, equal aisles w / 48" W x 96" L pallet		in. (mm)	113.3 (2878)	113.3 (2878)		
PERFORM	22 Stability, Comply with ANSI?			YES	YES	
	23 Travel Speed*		NL / RL mph (km/h)	6.5 / 6.5 (10.5 / 10.5)	6.5 / 6.5 (10.5 / 10.5)	
	24 Lift Speed		NL / RL ft/min	See Performance Chart	See Performance Chart	
	25 Lower Speed		NL / RL ft/min	See Performance Chart	See Performance Chart	
WT.	26 Truck Weight		Without Battery NL lb. (kg)	7050 (3198)	7050 (3198)	
	27 Axle Loading - Drive		Static with Max. Wt. Battery NL / RL lb. (kg)	6493 / 5476 (2945 / 2484)	6493 / 5476 (2945 / 2484)	
	28 Axle Loading - Load Wheels		Static with Max. Wt. Battery NL / RL lb. (kg)	2557 / 6574 (1160 / 2982)	2557 / 6574 (1160 / 2982)	
WHEELS/TIRES	29 Tire Size, Drive		in. (mm)	13.5 / 5.5 (343 / 140)	13.5 / 5.5 (343 / 140)	
	30 Tire Size, Loadwheel		in. (mm)	6.0 / 3.0 (152 / 76)	6.0 / 3.0 (152 / 76)	
	31 Wheelbase		in. (mm)	139.4 (3540)	139.4 (3540)	
	32 Ground Clearance		No load , lowest point in. (mm)	0.5 (13)	0.5 (13)	
	33 Ground Clearance		No load , center wheelbase in. (mm)	2.1 (54.4)	2.1 (54.4)	
ELECTRIC	34 Brakes, Method of Control		Service / Parking	Foot	Foot	
	35 Brakes, Method of Operation		Service / Parking	Spring Applied / Electric Released	Spring Applied / Electric Released	
	36 Battery		Type	Lead Acid	Lead Acid	
	37		Volts	24	36	
	38		Minimum Weight	lb. (kg)	1500 (680)	1500 (680)
	39 Traction Motor Control Method			AC Transistor	AC Transistor	
	40 Pump Motor Control Method			Contacto	Contacto	
	41 Number of Travel Speeds			Infinitely Variable	Infinitely Variable	

Right Angle Stack and Equal Intersecting Aisle dimensions provided with a 40" wide x 48" long pallet load, allowing zero clearance.

\*Speeds are the same in either direction, with or without rated load. Steer angle <10 degrees.

CERTIFICATION: These Hyster lift trucks meet design specifications of Part II ANSI B56.1-1969, as required by OSHA Section 1910.178(a)(2) and also comply with Part III ANSI B56.1-revision in effect at time of manufacture. Certification of compliance with the applicable ANSI standards appears on the lift truck. Performance specifications are for a truck equipped as described under Standard Equipment on this Technical Guide. Performance specifications are affected by the condition of the vehicle and how it is equipped, as well as by the nature, condition of the operating area, proper service and maintenance of the vehicle. If these specifications are critical, the proposed application should be discussed with your dealer.

Battery Specifications							
Number of Cells	Cell Size	Plates per Cell	Capacity 6 Hr Rate amp hr (kwh)	Battery Dimensions			Weight lb. (kg)
				"X" (Width) in. (mm)	"Y" (Length) in. (mm)	"Z" (Height) in. (mm)	
12	125	17	1000 (23.4)	38.1 (969)	13.5 (342)	30.6 (776)	1818 (825)
12	140	17	1120 (26.2)	38.1 (969)	13.5 (342)	30.6 (776)	1851 (840)
12	155	17	1240 (29.0)	38.1 (969)	13.5 (342)	30.6 (776)	1860 (844)
18	125	11	625 (21.9)	38.1 (967)	13.3 (339)	30.6 (776)	1800 (816)
18	140	11	700 (24.6)	38.1 (967)	13.3 (339)	30.6 (776)	1849 (839)
18	155	11	775 (27.2)	38.1 (967)	13.3 (339)	30.6 (776)	1859 (843)



Battery Compartment Length is measured from front to rear. Battery Compartment Width is measured across truck. SB350 Amp "Red" Connector, Cable Position B, Cable Length 16" (405mm). Maximum Cable Gauge 1/0 AWG. Battery with lid will NOT fit in battery compartment. Battery Weight Range 1500 - 2000 lbs. Amp Hour Capacity Min / Max - 24 volt truck 960 / 1240. 36 volt truck 600 / 775.

Travel Speeds (24V & 36V)		
Fork Height in (mm)	Steer Angle <10° mph (kph)	Steer Angle >10° mph (kph)
0 (0)	6.5 (10.5)	6.5 (10.5)
24 (610)	6.5 (10.5)	3.0 (4.8)
60 (1524)	6.0 (9.7)	2.7 (4.4)
116 (2946)	4.7 (7.5)	2.3 (3.6)
150 (3810)	3.9 (6.2)	2.0 (3.2)
195 (4953)	2.8 (4.5)	1.6 (2.6)
250 (6350)	1.5 (2.4)	1.2 (1.9)
272 (6909)	1.0 (1.6)	1.0 (1.6)
>272 (6909)	No Travel*	No Travel*

Note: Speed limits are for trucks at operating temperature with fully charged battery. Speeds are the same in either direction, with or without rated load.

For lift heights between 24.0" (610 mm) and 272.0" (6909 mm), traction speed is reduced when steering angle exceeds 10°.

\*Travel above 272.0" (6909 mm) fork height requires a High level traction option. Capacity reduction required.

Contact your local dealer for additional information.



# R30XM3 SERIES

R30XM3, R30XMA3, R30XMF3, R30XMS3

ORDERPICKER  
SERIES

## R30XM3 STANDARD FEATURES AND OPTIONS

### STANDARD FEATURES

- 195" MFH / 89" OALH 3-Stage Anti-Rattle Mast
- 40.0" Wide X 27.5" Deep Operator Platform
- 42.0" x 1.75" x 4.0" Standard Taper Pin Type Forks
- 12.0" x 5.5" Black Polyurethane Drive Tire
- 5.0" x 3.0" Articulating Tandem - High Load Compound Load Wheel
- 39.0" L x 14.6" W x 31.5" H Battery Compartment
- 24 Volt AC Electrical System
- Standard Application / Environmental Construction
- 41" Outside Dimension (Base Width) Basearms
- UL Classification Type "E"
- Key Switch Start
- Return to Center Steering
- Ergonomically Advanced Multi-Function Control Handle with Rotational Adjustment and Single Speed Lift/Lower
- Electric Park Brake - Automatically Engaged / Foot Released
- Heavy Duty Pallet Clamp - Automatically Engaged / Foot Released
- AC Transistor Control
- AC Traction Motor
- Single Hydraulic Pump and Motor
- Controller Area Network (CANbus) Communications
- On Demand Electric Power Steering
- AC Steer Motor
- Auto Deceleration System (ADS ) with Regenerative Braking
- Graphic LCD Multi-Function Smart Display with Back Lighting
- Seat
  - Hour Meters; Truck, Traction and Hoist Pump
  - Bar Graphic Battery Discharge Indicator
  - Low Battery Lift Interrupt
  - Performance Mode Selection and Indication
  - LED Status Indicators with Symbols
  - 4 Operator Selectable, Programmable Performance Modes
  - User Passwords and Operator Logs with History
  - Steer Wheel Angle Graphic Indication
  - Truck Inspection Check List
  - Truck Speed Indication in MPH or KPH
- Cantilever Style Overhead Guard
- Wire Mesh Screen Operator Guard
- Amber LED Strobe - Continuous Operation with Key-on
- HySense Continuous Height Sensing
- Slack Chain Indication
- Shock Dampening Operator's Compartment Floor Mat
- Battery Power Disconnect Button
- Operator Convenience Station with Storage Areas, Trash Bin, Beverage & Clipboard Holders
- Full Body Harness and Operator Tether
- Battery Compartment Corrosive Resistant Steel Rollers
- Retractable Platform Side Gates with Cushioning and Lift / Traction Cutout Interlock
- Electric Horn
- Static Discharge Strap
- Operating Manual and Labels – English
- 12-Month / 2,000-Hour Full Truck Warranty
- 24-Month / 4,000-Hour Powertrain Warranty

### OPTIONAL FEATURES

- 36 Volt Electrical System
- 175 Amp Gray, Position B - 16" Lead Length
- Battery Spacer Group
- Battery Stand
- Battery Puller
- AC Transistorized Hydraulic Control
- UL Classification Type "EE"
- Application / Environmental Construction
  - Cooler/Freezer Package - Operating Temperatures: 0° F to +120° F
  - SubZERO Freezer Package - Operating Temperatures Range: -40° to +120° F
- 48" Outside Dimension (Base Width) Basearms
- Operator Platform
  - 27.5" Deep x 48" Wide
  - 27.5" Deep x 54" Wide
  - 27.5" Deep x 60" Wide
- Safety Glass Shield
- Fixed Hoop Side Rails
- 6" Vertical Adjustable Operator Console
- Retractable Operator Tether with Full Body Harness or Medium Body Belt
- Operator Tether with Medium Body Belt
- Heavy Duty Automatic Pallet Clamp with opening range from 2" to 6"
- Keyless - Toggle switch
- Various Mast Options Available
- Various Fork Options Available - 36"-78" Long Standard Taper Pin Type Forks
- Lift Limit without Push Button Override
- Lift Limit with Push Button Override
- Lowering Limit With Push Button Override
- High Level Traction above 212" with Restricted Steer
- Drive Tire
  - Polyurethane - Red Diagonal Grooved (92 Durometer) Press-on
  - Polyurethane - Cream Vulkollan (94 Durometer) Press-on
- Various Guidance Systems
  - Side Guide Rollers
  - Wire Guidance
  - Line Driver
- Various Light Packages
  - Dome Light and 2 Speed Fan Package Mounted on Top of Overhead Guard
  - Dome Light, 2 Speed Fan and Halogen Glass Lens Spot Light Package
  - Dome Light, 2 Speed Fan and LED Plastic Lens Spot Light Package
  - 2 LED Plastic Lens Spot Lights Mounted Under Overhead Guard
- DC to DC Converter - 25 amps / 300 watts @ 12 volts
- Multi-Turn Steering
- Audible Alarms Self Adjusting 82-102 db(A)
  - Back-Up Alarm - Reverse Direction Activation
  - Motion Alarm - Forward and Reverse Direction Activation
  - Motion Alarm - Continuous Operation with Key-on
- 2 Speed Upper Body Fan - Console Mounted
- Parts Manual - Printed or CD

## R30XMA3 STANDARD FEATURES AND OPTIONS

### STANDARD FEATURES

- 195" MFH / 89" OALH 3-Stage Anti-Rattle Mast
- 40.0" Wide X 27.5" Deep Operator Platform
- 42.0" x 1.75" x 4.0" Standard Taper Pin Type Forks
- 13.5" x 5.5" Vulkollan Polyurethane Drive Tire
- 6.0" x 3.0" Single Load Wheel - High Load Compound
- 39.0" L x 14.6" W x 31.5" H Battery Compartment
- 175 Amp Red, Position B - 16" Lead Length Battery Connector
- 24 Volt AC Electrical System
- Standard Application / Environmental Construction
- 42" Inside Dimension (Open End Clearance) 51.5" Outside Dimension (Base Width) Basearms
- UL Classification Type "E"
- Key Switch Start
- Return to Center Steering
- Ergonomically Advanced Multi-Function Control Handle with Rotational Adjustment and Single Speed Lift/Lower
- Electric Park Brake - Automatically Engaged / Foot Released
- Heavy Duty Pallet Clamp - Automatically Engaged / Foot Released
- AC Transistor Control
- AC Traction Motor
- Single Hydraulic Pump and Motor
- Controller Area Network (CANbus) Communications
- On Demand Electric Power Steering
- AC Steer Motor
- Auto Deceleration System (ADS ) with Regenerative Braking
- Graphic LCD Multi-Function Smart Display with Back Lighting
  - Hour Meters; Truck, Traction and Hoist Pump
  - Bar Graphic Battery Discharge Indicator
  - Low Battery Lift Interrupt
  - Performance Mode Selection and Indication
  - LED Status Indicators with Symbols
  - 4 Operator Selectable, Programmable Performance Modes
  - User Passwords and Operator Logs with History
  - Steer Wheel Angle Graphic Indication
  - Truck Inspection Check List
  - Truck Speed Indication in MPH or KPH
- 8" x 2.5" Dual Polyurethane Caster Wheels
- 3.0" x 2.75" Polyurethane Guide Rollers
- Cantilever Style Overhead Guard
- Wire Mesh Screen Operator Guard
- Amber LED Strobe - Continuous Operation with Key-on
- HySense Continuous Height Sensing
- Slack Chain Indication
- Shock Dampening Operator's Compartment Floor Mat
- Battery Power Disconnect Button
- Operator Convenience Station with Storage Areas, Trash Bin, Beverage & Clipboard Holders
- Full Body Harness and Operator Tether
- Battery Compartment Corrosive Resistant Steel Rollers
- Retractable Platform Side Gates with Cushioning and Lift / Traction Cutout Interlock
- Electric Horn
- Static Discharge Strap
- Operating Manual and Labels – English
- 12-Month / 2,000-Hour Full Truck Warranty
- 24-Month / 4,000-Hour Powertrain Warranty

### OPTIONAL FEATURES

- 36 Volt AC Electrical System
- Battery Stand
- Battery Puller
- AC Transistorized Hydraulic Control
- UL Classification Type "EE"
- Application / Environmental Construction
  - Cooler/Freezer Package - Operating Temperatures: 0° F to +120° F
  - SubZERO Freezer Package - Operating Temperatures Range: -40° to +120° F
- Basearm Options
  - 44" Inside Dimension (Open End Clearance) 53.5" Outside Dimension (Base Width)
  - 46" Inside Dimension (Open End Clearance) 55.5" Outside Dimension (Base Width)
  - 48" Inside Dimension (Open End Clearance) 57.5" Outside Dimension (Base Width)
- Operator Platform
  - 27.5" Deep x 48" Wide
  - 27.5" Deep x 54" Wide
  - 27.5" Deep x 60" Wide
- Safety Glass Shield
- Fixed Hoop Side Rails
- 6" Vertical Adjustable Operator Console
- Retractable Operator Tether with Full Body Harness or Medium Body Belt
- Operator Tether with Medium Body Belt
- Heavy Duty Automatic Pallet Clamp with opening range from 2" to 6"
- Keyless - Toggle switch
- Various Mast Options Available
- Various Fork Options Available – 36"-84" Length Standard Taper Pin Type Forks
- Lift Limit with or without Push Button Override
- Lowering Limit With Push Button Override
- High Level Traction above 272" with Restricted Steer
- Drive Tires
  - Polyurethane - Black (80 Durometer) Press-on
  - Polyurethane – Red Diagonal Grooved (92 Durometer) Press-on
- Stability Casters
- Various Guidance Systems
  - Side Guide Rollers
  - Wire Guidance
  - Line Driver
- Light Packages
  - Dome Light and 2 Speed Fan Package Mounted on Top of Overhead Guard
  - Dome Light, 2 Speed Fan and Halogen Glass Lens Spot Light Package
  - Dome Light, 2 Speed Fan and LED Plastic Lens Spot Light Package
  - 2 LED Plastic Lens Spot Lights Mounted Under Overhead Guard
- DC to DC Converter - 25 amps / 300 watts @ 12 volts
- Multi-Turn Steering
- Audible Alarms Self Adjusting 82-102 db(A)
  - Back-Up Alarm - Reverse Direction Activation
  - Motion Alarm - Forward and Reverse Direction Activation
  - Motion Alarm - Continuous Operation with Key-on
- 2 Speed Upper Body Fan - Console Mounted
- Parts Manual - Printed or CD

# R30XM3 SERIES

R30XM3, R30XMA3, R30XMF3, R30XMS3

ORDERPICKER  
SERIES

## R30XMS3 STANDARD FEATURES AND OPTIONS

### STANDARD FEATURES

- 135" MFH / 89" OALH 2-Stage Anti-Rattle Mast
- 40.0" Wide X 27.5" Deep Operator Platform
- 42.0" x 1.5" x 4.0" Standard Taper Pin Type Forks
- 12.0" x 5.5" Black Polyurethane Drive Tire
- 4.0" x 3.0" Articulating Tandem - High Load Compound Load Wheel
- 36.0" L x 13.5" W x 25.0" H Battery Compartment
- 175 Amp Red, Position B - 16" Lead Length Battery Connector
- 24 Volt AC Electrical System
- Standard Application / Environmental Construction
- 41" Outside Dimension (Base Width) Basearms
- UL Classification Type "E"
- Key Switch Start
- Return to Center Steering
- Ergonomically Advanced Multi-Function Control Handle with Rotational Adjustment and Single Speed Lift/Lower
- Electric Park Brake - Automatically Engaged / Foot Released
- Heavy Duty Pallet Clamp - Automatically Engaged / Foot Released
- AC Transistor Control
- AC Traction Motor
- Single Hydraulic Pump and Motor
- Controller Area Network (CANbus) Communications
- On Demand Electric Power Steering
- AC Steer Motor
- Auto Deceleration System (ADS ) with Regenerative Braking
- Graphic LCD Multi-Function Smart Display with Back Lighting
  - Hour Meters; Truck, Traction and Hoist Pump
  - Bar Graphic Battery Discharge Indicator
  - Low Battery Lift Interrupt
  - Performance Mode Selection and Indication
  - LED Status Indicators with Symbols
  - 4 Operator Selectable, Programmable Performance Modes
  - User Passwords and Operator Logs with History
  - Steer Wheel Angle Graphic Indication
  - Truck Inspection Check List
  - Truck Speed Indication in MPH or KPH
- Cantilever Style Overhead Guard
- Wire Mesh Screen Operator Guard
- Amber LED Strobe - Continuous Operation with Key-on
- HySense Continuous Height Sensing
- Slack Chain Indication
- Shock Dampening Operator's Compartment Floor Mat
- Battery Power Disconnect Button
- Operator Convenience Station with Storage Areas, Trash Bin, Beverage & Clipboard Holders
- Full Body Harness and Operator Tether
- Battery Compartment Corrosive Resistant Steel Rollers
- Fixed Hoop Platform Side Rails
- Electric Horn
- Static Discharge Strap
- Operating Manual and Labels – English
- 12-Month / 2,000-Hour Full Truck Warranty
- 24-Month / 4,000-Hour Powertrain Warranty

### OPTIONAL FEATURES

- 175 Amp Gray, Position B - 16" Lead Length
- Battery Spacer Group
- Battery Stand
- Battery Puller
- Application / Environmental Construction
  - Cooler/Freezer Package - Operating Temperatures: 0° F to +120° F
  - SubZERO Freezer Package - Operating Temperatures Range: -40° to +120° F
- 48" Outside Dimension (Base Width) Basearms
- Safety Glass Shield
- Retractable Side Gates with Cushioning and Lift and Traction Cutout Interlock
- 6" Vertical Adjustable Operator Console
- Retractable Operator Tether with Full Body Harness or Medium Body Belt
- Operator Tether with Medium Body Belt
- Heavy Duty Automatic Pallet Clamp with opening range from 2" to 6"
- Keyless - Toggle switch
- Various Mast Options Available
- 36" or 48" Long Standard Taper Pin Type Forks
- Lift Limit without Push Button Override
- Lift Limit with Push Button Override
- Lowering Limit With Push Button Override
- High Level Traction above 150" with Restricted Steer
- Drive Tire
  - Polyurethane - Red Diagonal Grooved (92 Durometer) Press-on
  - Polyurethane - Cream Vulkollan (94 Durometer) Press-on
- Various Guidance Systems
  - Side Guide Rollers
  - Wire Guidance
  - Line Driver
- Various Light Packages
  - Dome Light and 2 Speed Fan Package Mounted on Top of Overhead Guard
  - Dome Light, 2 Speed Fan and Halogen Glass Lens Spot Light Package
  - Dome Light, 2 Speed Fan and LED Plastic Lens Spot Light Package
  - 2 LED Plastic Lens Spot Lights Mounted Under Overhead Guard
- DC to DC Converter - 25 amps / 300 watts @ 12 volts
- Multi-Turn Steering
- Audible Alarms Self Adjusting 82-102 db(A)
  - Back-Up Alarm - Reverse Direction Activation
  - Motion Alarm - Forward and Reverse Direction Activation
  - Motion Alarm - Continuous Operation with Key-on
- 2 Speed Upper Body Fan - Console Mounted
- Parts Manual - Printed or CD



## R30XMF3 STANDARD FEATURES AND OPTIONS

### STANDARD FEATURES

- ☑ 240" MFH / 107" OALH 3-Stage Anti-Rattle Mast
- ☑ 40.0" Wide X 27.5" Deep Operator Platform
- ☑ 78.0" x 2.00" x 5.0" Standard Taper Pin Type Forks
- ☑ 13.5" x 5.5" Vulkollan Polyurethane Drive Tire
- ☑ 6.0" x 3.0" Articulating Tandem - High Load Compound Load Wheel
- ☑ 39.0" L x 14.6" W x 31.5" H Battery Compartment
- ☑ 175 Amp Red, Position B - 16" Lead Length Battery Connector
- ☑ 24 Volt AC Electrical System
- ☑ Standard Application / Environmental Construction
- ☑ 42" Inside Dimension (Open End Clearance) 51.25" Outside Dimension (Base Width) Basearms
- ☑ UL Classification Type "E"
- ☑ Key Switch Start
- ☑ Return to Center Steering
- ☑ Ergonomically Advanced Multi-Function Control Handle with Rotational Adjustment and Single Speed Lift/Lower
- ☑ Electric Park Brake - Automatically Engaged / Foot Released
- ☑ Heavy Duty Pallet Clamp - Automatically Engaged / Foot Released
- ☑ AC Transistor Control
- ☑ AC Traction Motor
- ☑ Single Hydraulic Pump and Motor
- ☑ Controller Area Network (CANbus) Communications
- ☑ On Demand Electric Power Steering
- ☑ AC Steer Motor
- ☑ Auto Deceleration System (ADS ) with Regenerative Braking
- ☑ Graphic LCD Multi-Function Smart Display with Back Lighting
  - Hour Meters; Truck, Traction and Hoist Pump
  - Bar Graphic Battery Discharge Indicator
  - Low Battery Lift Interrupt
  - Performance Mode Selection and Indication
  - LED Status Indicators with Symbols
  - 4 Operator Selectable, Programmable Performance Modes
  - User Passwords and Operator Logs with History
  - Steer Wheel Angle Graphic Indication
  - Truck Inspection Check List
  - Truck Speed Indication in MPH or KPH
- ☑ 8" x 2.5" Dual Polyurethane Caster Wheels
- ☑ 3.0" x 2.75" Polyurethane Guide Rollers
- ☑ Cantilever Style Overhead Guard
- ☑ Wire Mesh Screen Operator Guard
- ☑ Amber LED Strobe - Continuous Operation with Key-on
- ☑ HySense Continuous Height Sensing
- ☑ Slack Chain Indication
- ☑ Shock Dampening Operator's Compartment Floor Mat
- ☑ Battery Power Disconnect Button
- ☑ Operator Convenience Station with Storage Areas, Trash Bin, Beverage & Clipboard Holders
- ☑ Full Body Harness and Operator Tether
- ☑ Battery Compartment Corrosive Resistant Steel Rollers
- ☑ Retractable Platform Side Gates with Cushioning and Lift / Traction Cutout Interlock
- ☑ Electric Horn
- ☑ Static Discharge Strap
- ☑ Operating Manual and Labels – English
- ☑ 12-Month / 2,000-Hour Full Truck Warranty
- ☑ 24-Month / 4,000-Hour Powertrain Warranty

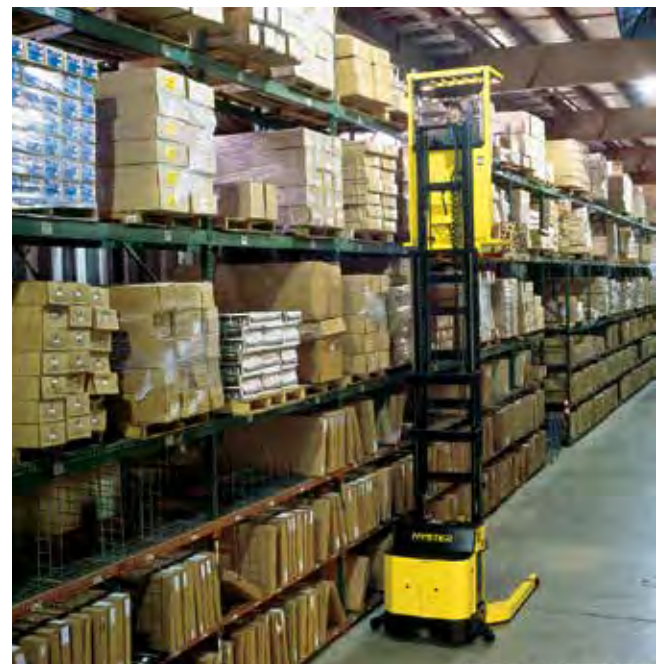
### OPTIONAL FEATURES

- ☑ 36 Volt AC Electrical System
- ☑ Battery Stand
- ☑ Battery Puller
- ☑ Basearm Options
  - 44" Inside Dimension (Open End Clearance) 53.25" Outside Dimension (Base Width)
  - 46" Inside Dimension (Open End Clearance) 55.25" Outside Dimension (Base Width)
  - 48" Inside Dimension (Open End Clearance) 57.25" Outside Dimension (Base Width)
- ☑ Operator Platform
  - 27.5" Deep x 48" Wide
  - 27.5" Deep x 54" Wide
  - 27.5" Deep x 60" Wide
- ☑ Safety Glass Shield
- ☑ Fixed Hoop Side Rails
- ☑ 6" Vertical Adjustable Operator Console
- ☑ Retractable Operator Tether with Full Body Harness or Medium Body Belt
- ☑ Operator Tether with Medium Body Belt
- ☑ Heavy Duty Automatic Pallet Clamp with opening range from 2" to 6"
- ☑ Keyless - Toggle switch
- ☑ Various Mast Options Available
- ☑ 84.0" x 2.00" x 5.0" Standard Taper Pin Type Forks
- ☑ Lift Limit with or without Push Button Override
- ☑ Lowering Limit With Push Button Override
- ☑ High Level Traction above 272" with Restricted Steer
- ☑ Polyurethane - Black (80 Durometer) Press-on Drive Tires
- ☑ Light Packages
  - Dome Light and 2 Speed Fan Package Mounted on Top of Overhead Guard
  - Dome Light, 2 Speed Fan and Halogen Glass Lens Spot Light Package
  - Dome Light, 2 Speed Fan and LED Plastic Lens Spot Light Package
  - 2 LED Plastic Lens Spot Lights Mounted Under Overhead Guard
- ☑ DC to DC Converter - 25 amps / 300 watts @ 12 volts
- ☑ Multi-Turn Steering
- ☑ Audible Alarms Self Adjusting 82-102 db(A)
  - Back-Up Alarm - Reverse Direction Activation
  - Motion Alarm - Forward and Reverse Direction Activation
  - Motion Alarm - Continuous Operation with Key-on
- ☑ 2 Speed Upper Body Fan - Console Mounted
- ☑ 30" Tether Boom Extension
- ☑ Basearm Cross Tie
- ☑ Parts Manual - Printed or CD

# R30XM3 SERIES

R30XM3, R30XMA3, R30XMF3, R30XMS3

ORDERPICKER  
SERIES









## Branches

### VICTORIA

#### Melbourne - Springvale (Head Office)

📍 1574 Centre Rd  
Springvale, VIC, 3171  
☎ [03] 9547 8000

#### Melbourne - Truganina

📍 42-44 Jessica Way  
Truganina, VIC, 3029  
☎ [03] 9394 4090

### NEW SOUTH WALES

#### Sydney (State Office)

📍 219 Newton Rd  
Wetherill Park, NSW, 2164  
☎ [02] 8788 1777

#### Port Kembla

📍 20-26 Flinders Street  
Port Kembla, NSW, 2505  
☎ 13 22 54

### QUEENSLAND

#### Brisbane (State Office)

📍 11 Lombank Street  
Acacia Ridge, QLD, 4110  
☎ [07] 3373 5111

#### Rockhampton

📍 62 Glenmore Road  
Park Avenue, Rockhampton  
QLD 4701  
☎ [07] 4922 8874

#### Townsville

📍 39 Duckworth Street  
Garbutt, QLD, 4814  
☎ [07] 4778 2000

### SOUTH AUSTRALIA/ NORTHERN TERRITORY

#### Adelaide (State Office)

📍 18-22 Churchill Rd. Nth.  
Dry Creek, SA, 5094  
☎ [08] 8360 3444

### WESTERN AUSTRALIA

#### Perth (State Office)

📍 Unit 1, 1-9 Kurnall Road  
Welshpool, WA, 6106  
☎ [08] 9352 9200

#### Karratha

📍 Lot 3873-Pemberton Road  
Karratha, WA, 6714  
☎ 13 22 54

### TASMANIA

#### Spreyton

📍 87a Devonport Road  
Spreyton, TAS, 7310  
☎ [03] 6427 3966

## Service Centres

### VICTORIA

Bendigo  
Warrnambool  
Ballarat  
Shepparton  
Wondonga  
Mildura

### TASMANIA

Hobart  
Launceston  
Burnie

### NEW SOUTH WALES

Dubbo  
Griffith  
Tamworth  
Newcastle  
Wollongong  
Canberra  
Tumut  
Bathurst  
Wagga Wagga  
Albury  
Gosford  
Coffs Harbour

### QUEENSLAND

Rockhampton  
Mackay  
Cairns  
Gladstone  
Townsville  
Mt Isa  
Toowoomba  
Gold Coast  
Sunshine Coast

### SOUTH AUSTRALIA/NT

Riverland  
Darwin

### WESTERN AUSTRALIA

Margaret River



# 13 22 54

[www.adaptalift.com.au](http://www.adaptalift.com.au)