

adaptalift



forklift hire ■ sales ■ service ■ parts

LO2.0-2.5

1,000 - 2,500 KG

LOW LEVEL
ORDER PICKERS



THE SOLUTION TO YOUR
APPLICATION NEEDS

13 22 54
aalhysterforklifts.com.au

SPECIFICATIONS

DISTINGUISHING MARKS	1.1	Manufacturer (abbreviation)	
	1.2	Manufacturer's type designation	
	1.3	Drive: electric (battery or mains), diesel, petrol, fuel gas	
	1.4	Operator type: hand, pedestrian, standing, seated, order-picker	
	1.5	Rated capacity/Rated load	Q (t)
	1.6	Load centre distance ◆	c (mm)
	1.8	Load distance, centre of drive axle to fork ◆	x (mm)
	1.9	Wheelbase ◆	y (mm)

WEIGHTS	2.1	Service weight ◆	kg
	2.2	Axle loading, laden front/rear	kg
	2.3	Axle loading, unladen front/rear	kg

TYRES / CHASSIS	3.1	Tyres: polyurethane, tophane, vulkollan, front/rear	
	3.2	Tyre size, front	ø (mm x mm)
	3.3	Tyre size, rear	ø (mm x mm)
	3.4	Additional wheels (dimensions)	ø (mm x mm)
	3.5	Wheels, number front / rear (x = driven wheels)	
	3.6	Tread, front	b ₁₀ (mm)
	3.7	Tread, rear	b ₁₁ (mm)

DIMENSIONS	4.2	Height, mast lowered	h ₁ (mm)
	4.4	Lift	h ₃ (mm)
	4.5	Height, mast extended	h ₂ (mm)
	4.8	Seat height relating to SIP / stand height	h ₇ (mm)
	4.9	Height drawbar in driving position min./max.	h ₈ (mm)
	4.12	Coupling height	h ₁₀ (mm)
	4.14	Stand height, elevated	h ₁₂ (mm)
	4.15	Height, lowered	h ₃ (mm)
	4.17	Overhang	l ₃ (mm)
	4.19	Overall length ◆	l ₁ (mm)
	4.20	Length to face of forks ◆	l ₂ (mm)
	4.21	Overall width	b ₁ /b ₂ (mm)
	4.22	Fork dimensions DIN ISO 2331 ◆	s/e/l (mm)
	4.25	Distance between fork-arms	b ₃ (mm)
	4.32	Ground clearance, center of wheelbase	m ₂ (mm)
	4.33	Load dimension b 12 x l 6 crossways	b ₁₂ x l ₆ (mm)
	4.34.1	Aisle width for pallets 1000mm x 1200mm crossways ◆	A st (mm)
4.34.2	Aisle width for pallets 800mm x 1200mm lengthwise ◆	A st (mm)	
4.35	Turning radius ◆	W ₃ (mm)	

PERFORMANCE DATA	5.1	Travel speed, laden / unladen	km/h
	5.1.1	Travel speed, laden / unladen, backwards	km/h
	5.2.1	Lift speed, laden / unladen (Forks)	m/s
	5.2.2	Lift speed, laden / unladen (Cab)	m/s
	5.3.1	Lowering speed, laden / unladen (Forks)	m/s
	5.3.2	Lowering speed, laden / unladen (Cab)	m/s
	5.5	Drawbar pull, laden / unladen	N
	5.6	Max drawbar pull, laden / unladen	N
	5.7	Gradeability, laden / unladen	%
	5.8	Max. gradeability, laden / unladen	%
	5.9	Acceleration time, laden / unladen	s
5.10	Service brake		

ELECTRIC-ENGINE	6.1	Drive motor, S2 60 min rating	kW
	6.2	Lift motor S3 15% rating	kW
	6.3	Battery according to DIN 43531/35/36 A,B,C, no	
	6.4	Battery voltage/nominal capacity K	(V)/(Ah)
	6.5	Battery weight ■	kg
	6.6	Energy consumption according to VDI cycle ◆	kWh/h at number of cycles

DRIVE/LIFT MECHANISM	8.1	Type of drive unit	
----------------------	-----	--------------------	--

ADDITIONAL DATA	10.7	Sound pressure level at the driver's seat	dB (A)
-----------------	------	-------------------------------------------	--------

HYSTER	HYSTER	HYSTER
LO2.0	LO2.0	LO2.0
Battery	Battery	Battery
Order-picker	Order-picker	Order-picker
2	2	2
1200 ‡	1200 ‡	1200 ‡
1405	1405	1405
2608	2608	2608

1050 †		1195 †		1225 †	
883	2167	955	2240	975	2250
793	257	865	330	885	340

Vulkollan	Vulkollan	Vulkollan	Vulkollan	Vulkollan	Vulkollan
254 x 90		254 x 90		254 x 90	
85 x 90		85 x 90		85 x 90	
150 x 79		150 x 79		150 x 79	
1x + 1	4	1x + 1	4	1x + 1	4
437		437		437	
380		380		380	

1360			1360			1878		
120			120			120		
-			2340			3228		
152			152			152		
1317			1317			1317		
-			-			-		
-			980			1500		
85			85			85		
-			-			-		
3764			3764			3764		
1410			1410			1410		
796			796			796		
60	184	2356	60	184	2356	60	184	2356
560			560			560		
25			25			25		
800 x 1200 ‡			800 x 1200 ‡			800 x 1200 ‡		
3737 ‡			3737 ‡			3737 ‡		
3462 ‡			3462 ‡			3462 ‡		
2813 ‡			2813 ‡			2813 ‡		

8,5	10,5 †	8,5	10,5 †	8,5	10,5 †
8	8	8	8	8	8
0,027	0,039	0,027	0,039	0,027	0,039
-	-	0,189	0,189	0,189	0,189
0,038	0,018	0,038	0,018	0,038	0,018
-	-	0,162	0,162	0,162	0,162
-	-	-	-	-	-
-	-	-	-	-	-
6	20	6	20	6	20
10	20	10	20	10	20
7,6	5,3	7,6	5,3	7,6	5,3
Electro Magnetic		Electro Magnetic		Electro Magnetic	

2,6		2,6		2,6	
1,2		2		2	
no		no		no	
24	465 †	24	465 †	24	465 †
366		366		366	
1,13		1,13		1,13	

AC-Controller	AC-Controller	AC-Controller
---------------	---------------	---------------

< 67,5	< 67,5	< 67,5
--------	--------	--------

Specification data is based on VDI 2198

SPECIFICATIONS

HYSTER		HYSTER		HYSTER		HYSTER		HYSTER		HYSTER		HYSTER		1.1
LO2.5		LO2.5		LO2.5		LO1.0F		LO1.0F		LO2.0S		LO2.0S		1.2
Battery		Battery		Battery		Battery		Battery		Battery		Battery		1.3
Order-picker		Order-picker		Order-picker		Order-picker		Order-picker		Order-picker		Order-picker		1.4
2.5		2.5		2.5		1		1		2		2		1.5
1200 ₺		1200 ₺		1200 ₺		600		600		1200 ₺		1200 ₺		1.6
1860		1860		1860		486		486		1682		1682		1.8
3208		3208		3208		1740		1740		2936		2936		1.9

1165		1310		1340		1045		1190		1220		1365		2.1
1370	2295	1442	2368	1462	2378	622	1413	695	1485	1089	2131	1161	2204	2.2
905	260	977	333	997	343	722	323	795	395	834	386	906	459	2.3

Vulkollan	Vulkollan	Vulkollan	Vulkollan	Vulkollan	Vulkollan	Vulkollan	Vulkollan	Vulkollan	Vulkollan	Vulkollan	Vulkollan	Vulkollan	Vulkollan	3.1
254 x 90		254 x 90		254 x 90		254 x 90		254 x 90		254 x 90		254 x 90		3.2
85 x 90		85 x 90		85 x 90		85 x 100		85 x 100		85 x 70		85 x 70		3.3
150 x 79		150 x 79		150 x 79		150 x 79		150 x 79		150 x 79		150 x 79		3.4
1x+1	4	1x+1	4	1x+1	4	1x+1	2	1x+1	2	1x+1	4	1x+1	4	3.5
437		437		437		437		437		437		437		3.6
380		380		380		390		390		372		372		3.7

1360		1360		1878		1360		1360		1360		1360		4.2							
120		120		120		690		690		690		690		4.4							
-		2340		3228		-		2340		-		2340		4.5							
152		152		152		152		152		152		152		4.8							
1317		1317		1317		1317		1317		1317		1317		4.9							
-		-		-		-		-		-		-		4.12							
-		980		1500		-		980		-		980		4.14							
85		85		85		90		90		85		85		4.15							
-		-		-		-		-		-		-		4.17							
3909		3909		3909		2619		2619		3816		3816		4.19							
1555		1555		1555		1459		1459		1460		1460		4.20							
796		796		796		796		796		796		796		4.21							
60	184	2356	60	184	2356	60	184	2356	60	180	1160	60	180	1160	68	192	2356	68	192	2356	4.22
560		560		560		570		570		564		564		4.25							
25		25		25		48		48		20		20		4.32							
800 x 1200 ₺		800 x 1200 ₺		800 x 1200 ₺		800 x 1200		800 x 1200		800 x 1200 ₺		800 x 1200 ₺		4.33							
4662 ₺		4662 ₺		4662 ₺		1739		1739		4250 ₺		4250 ₺		4.34.1							
4385 ₺		4385 ₺		4385 ₺		1767		1767		3968 ₺		3968 ₺		4.34.2							
3413 ₺		3413 ₺		3413 ₺		1945		1945		3142 ₺		3142 ₺		4.35							

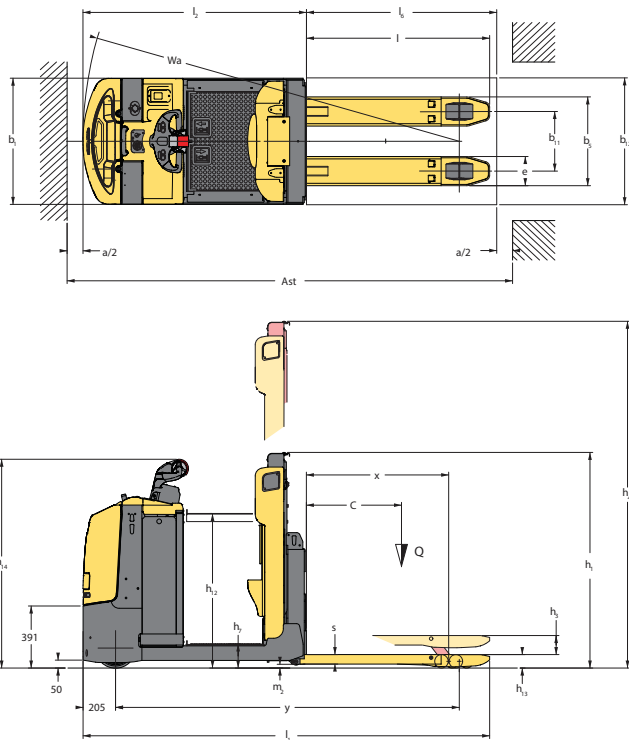
8,5	10,5+	8,5	10,5+	8,5	10,5+	10,5	10,5✓	10,5	10,5✓	8,5	10,5+	8,5	10,5+	5.1
8	8	8	8	8	8	8	8	8	8	8	8	8	8	5.1.1
0,023	0,039	0,023	0,039	0,027	0,039	0,087	0,233	0,087	0,233	0,060	0,150	0,060	0,150	5.2.1
-	-	0,189	0,189	0,189	0,189	-	-	0,189	0,189	-	-	0,189	0,189	5.2.2
0,038	0,018	0,038	0,018	0,038	0,018	0,173	0,154	0,173	0,154	0,147	0,126	0,147	0,126	5.3.1
-	-	0,162	0,162	0,162	0,162	-	-	0,162	0,162	-	-	0,162	0,162	5.3.2
-	-	-	-	-	-	-	-	-	-	-	-	-	-	5.5
-	-	-	-	-	-	-	-	-	-	-	-	-	-	5.6
6	20	6	20	6	20	6	20	6	20	6	20	6	20	5.7
10	20	10	20	10	20	10	20	10	20	10	20	10	20	5.8
8,9	5,5	8,9	5,5	8,9	5,5	7,0	5,2	7,0	5,2	7,6	5,3	7,6	5,3	5.9
Electro Magnetic		Electro Magnetic		Electro Magnetic		Electro Magnetic		Electro Magnetic		Electro Magnetic		Electro Magnetic		5.10

2,6		2,6		2,6		2,6		2,6		2,6		2,6		6.1
1,2		2		2		2		2		2		2		6.2
no		no		no		no		no		no		no		6.3
24	620	24	620	24	620	24	465	24	465	24	465	24	465	6.4
480		480		480		366		366		366		366		6.5
1,13		1,13		1,13		1,13		1,13		1,13		1,13		6.6

AC-Controller		AC-Controller		AC-Controller		AC-Controller		AC-Controller		AC-Controller		AC-Controller		8.1
---------------	--	---------------	--	---------------	--	---------------	--	---------------	--	---------------	--	---------------	--	-----

< 67,5		< 67,5		< 67,5		< 68,5		< 68,5		< 68,5		< 68,5		10.7
--------	--	--------	--	--------	--	--------	--	--------	--	--------	--	--------	--	------

LO2.0-2.5 DIMENSIONS



$Ast = Wa - x + l6 + a$ (see line 4.34)

a = Minimum operating clearance
(VDI standard = 200 mm BITA recommendation = 300 mm)

l6 = Load length

NOTE:

The condition of the vehicle and how it is equipped, as well as the nature and condition of the operating area affect specifications. If these specifications are critical, the proposed application should be discussed with your dealer.

- † available battery 500Ah; see Table "A"
With battery 500Ah service weight
1069 (LO2.0 fixed cab),
1214 (LO2.0 lift cab 980 mm),
1244 (LO2.0 lift cab 1500 mm)
- ‡ applies to 2 pallets = 2400 mm
- + optional 10/13 km/h (LO2.0/LO2.0S)
and 9/13 km/h (LO2.5)
- ✓ optional 12/13 km/h (LO1.0F)
- ◆ for models LO2.0, LO2.5, see Table "A"
- + values obtained with 40 cycles
- +/- 5%

b5 = 480mm - 530mm - 560mm - 670mm b11 = 300mm - 350mm - 380mm - 490mm															
	C	l	x	l-x	l6	y	l2	l1	Wa	Ast	y	l2	l1	Wa	Ast
	mm	mm	mm	mm	mm	mm	mm	mm	mm	mm	mm	mm	mm	mm	mm
	500	1006	815	191	1000	2018	1408	2414	2223	2608	2163	1553	2559	2368	2753
	600	1156	965	191	1200	2168	1408	2564	2373	2808	2313	1553	2709	2518	2953
	700	1406	965	441	1400	2168	1408	2814	2373	3008	2313	1553	2959	2518	3153
	800	1606	965	641	1600	2168	1408	3014	2373	3208	2313	1553	3159	2518	3353
	1000	1956	1405	551	2000	2608	1408	3364	2813	3608	2753	1553	3509	2958	3753
UK	1000	1956	1356	600	2000	2559	1408	3364	2764	3608	2704	1553	3509	2909	3753
	1100	2156	1405	751	2200	2608	1408	3564	2813	3808	2753	1553	3709	2958	3953
UK	1100	2156	1356	800	2200	2559	1408	3564	2764	3808	2704	1553	3709	2909	3953
UK	1200	2356	1650	706	2400	2853	1408	3764	3058	4008	2998	1553	3909	3203	4153
SHORT	1200	2356	1405	951	2400	2608	1408	3764	2813	4008	2753	1553	3909	2958	4153
LONG	1200	2356	1860	496	2400	3063	1408	3764	3268	4008	3208	1553	3909	3413	4153
	1500	2856	1860	996	3000	3063	1408	4264	3268	4608	3208	1553	4409	3413	4753
	For all batteries					Battery 24V 465Ah					Battery 24V 500Ah/620Ah				

NOTE: all values of y, x, Wa are intended with lowered forks;
with forks lifted 120mm all values of y, x, Wa are 70mm less

NOTICE:

Care must be exercised when handling elevated loads. When the carriage and/or load is elevated, truck stability is reduced. Operators must be trained and adhere to the instructions contained in the Operating Manual.

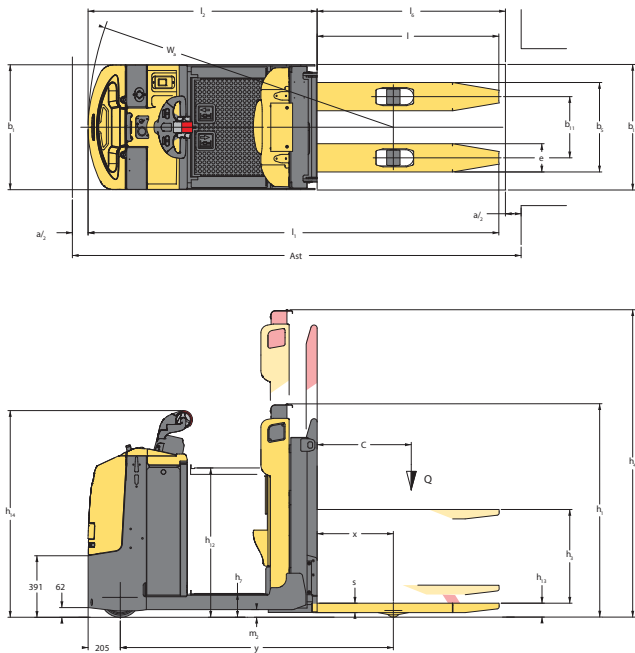
Hyster products are subject to change without notice.

Forks: Lift trucks illustrated may feature optional equipment.



This truck conforms to the current EU requirements.

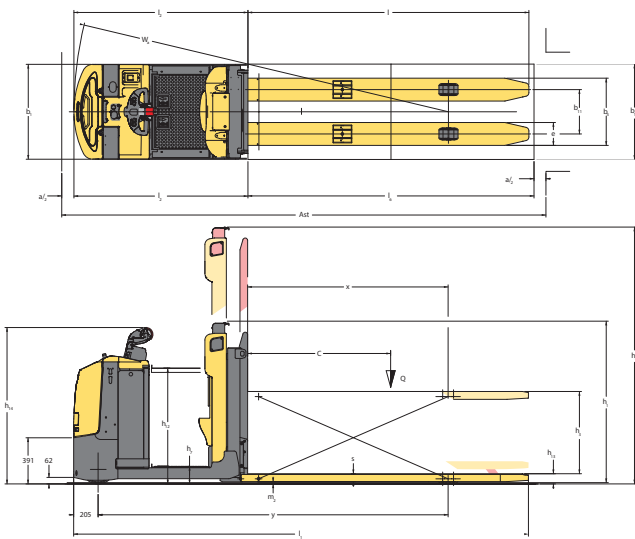
LO1.0F DIMENSIONS



$A_{st} = W_a - x + l_6 + a$ (see line 4.34)
 $a =$ Minimum operating clearance (VDI standard = 200 mm BITA recommendation = 300 mm)
 $l_6 =$ Load length

- NOTE:
- The condition of the vehicle and how it is equipped, as well as the nature and condition of the operating area affect specifications. If these specifications are critical, the proposed application should be discussed with your dealer.
 - available battery 465Ah; with battery 465Ah - 145mm, service weight 1009kg
 - † available battery 500Ah; see Table 'A' . With battery 500Ah service weight 1069 (LO2.0 fixed cab), 1214 (LO2.0 lift cab 980 mm), 1244 (LO2.0 lift cab 1500 mm)
 - ‡ applies to 2 pallets = 2400 mm
 - + optional 10/13 km/h (LO2.0/LO2.0S) and 9/13 km/h (LO2.5)
 - ✓ optional 12/13 km/h (LO1.0F)
 - ◆ for models LO2.0, LO2.5, see Table 'A'
 - + values obtained with 40 cycles
 - +/- 5%

LO2.0S DIMENSIONS



$A_{st} = W_a - x + l_6 + a$ (see line 4.34)
 $a =$ Minimum operating clearance (VDI standard = 200 mm BITA recommendation = 300 mm)
 $l_6 =$ Load length

- NOTICE:
- Care must be exercised when handling elevated loads. When the carriage and/or load is elevated, truck stability is reduced. Operators must be trained and adhere to the instructions contained in the Operating Manual.
 - Hyster products are subject to change without notice.
 - Forks: Lift trucks illustrated may feature optional equipment.
- CE Safety:**
 This truck conforms to the current EU requirements.

PRODUCT FEATURES

- ✓ The LO2.0 Fixed or raising platform for ground up to second level picking, able to handle various types of load interface, Europallets, Chep, roll containers etc.
- ✓ The LO2.5 Fixed or raising platform for ground up to second level picking, with 2.5t capacity for transporting heavy double full pallet loads.
- ✓ The LO2.0S allows the handling of double pallets (Europallets) where heavy and/or bulky case picks are the items handled. Here the scissor lift height serves to eliminate constant bending and stretching.
- ✓ The LO1.0F with mast lift allows the pallet to be maintained at a constant comfortable working height. Therefore it is ideally suited for single Europallet layer picking operations.

Dependability

- ✓ Solid frame construction and reliable components ensure long-term reliability and durability.
- ✓ Sturdy wrap around bumper plate protects the truck against impacts and damage and minimises repair costs.
- ✓ LLOP - Robust pull road design on the load wheel axle ensures long term reliability.
- ✓ Protected electronics, including the enclosed AC traction motor, sealed combi-controller (with IP65 rating), sealed electrical connectors and hall effect sensors and switches ensure excellent reliability and reduced servicing costs for maximum productivity.
- ✓ Reduced wiring complexity, thanks to the CANbus communication system provides easy access to components and world-class reliability.

Cost of Ownership

- ✓ Integrated system controls, AC traction and DC pump motors enhance energy efficiency.
- ✓ Advanced control features, such as adjustable performance settings allow the truck to be tailored to the needs of the application, reducing energy consumption.
- ✓ Regenerative braking reduces use of service brake and dissipates heat of traction motor, ensuring the longer life of key components.
- ✓ Motors and controllers are protected against damage and debris, reducing servicing and repair costs.

Productivity

- ✓ Powerful 2,6kW AC drives motor with high performance acceleration / braking and travel speed feature high thermal capacity for stop and go operations.
- ✓ Effortless electrical steering and automatic speed reduction on cornering ensures excellent control and high productivity.
- ✓ Acceleration, travel and braking speeds can be adjusted to the particular needs of the application via the console by a service engineer.
- ✓ Anti-roll back on ramps device, active for driver operation.
- ✓ LLOP models offer nominal capacity up to 2500kg and 48 different forks options, enabling the truck to be configured to suit the varying operational requirements of a vast range of applications.
- ✓ Maximum travel speed of 13 km/h without load (optional) reduces travelling time on long runs between docking and picking areas.
- ✓ Large battery capacity means the truck is perfect for dual shift operations and reduces the frequency of battery charging. Vertical or lateral battery extraction are available.



Ergonomics

- ✓ Scooter control and electric steering reduces the arm movement required to change direction, keeping the driver within the truck footprint at all times for his protection and reduces operator fatigue and increases productivity.
- ✓ Platform sensor, which detects when the operator is on board, covers the entire platform floor, which along with the high, soft touch, back rest, allow operators to locate the most comfortable driving position.
- ✓ Wide and long operator platform provides increased comfort operator stance and allows easier pass through to optimize picking on both sides.
- ✓ LLOP - Foot controlled lifting platform option facilitates up to second level picking and limits the amount of reaching the operator has to do from rack to pallet, reducing operator fatigue.
- ✓ On LO2.0 and LO2.5 optional slow-speed forward direction buttons (coasting function) are located on the backrest and allow the operator to move the

truck whilst walking alongside, to the next pick location without having to board.

- ✓ On LO1.0F and LO2.0S optional coasting function provides also lifting/lowering forks controls to allow the operator to maintain the pallet at a constant comfortable working height.

Serviceability

- ✓ CANbus system and diagnostic control can be controlled and monitored via the console or a single plug-point plus fault codes can be displayed on console for easy service identification.
- ✓ One-piece hood provides easy access to key components.
- ✓ Motor cover is fitted by means of two screws and can be easily removed to get full access to all the main components.
- ✓ Low maintenance AC traction motor with built in thermal protection is fully enclosed for protection against damage and debris, minimising service downtime.



L02.0-2.5

1,000 - 2,500 KG

LOW LEVEL
ORDER PICKERS

OPTIONS & MISCELLANEOUS

OPTIONAL FEATURES

- L02.0, L02.5
 - 48 different fork dimensions
 - 2nd level foldable step (only for L02.0 and L02.5 models with fixed operator platform)
 - Removable trash bin in operator back rest (for models with fixed operator platform)
 - Coasting function with slow-speed forward buttons
- L01.0F, L02.0S
 - Coasting function with slow-speed forward, lifting and lowering forks buttons

MISCELLANEOUS

- Key pad
- Cold store version
- Side battery extraction
- Floor-level bumper (rubber bumper)
- Mid mounted bumper (bull bar)
- Universal support bar on motor compartment
- Various drive wheels
- Various platform lift heights
- Various storage compartments
- Object tray on operator back rest.
- Scooter control raising with platform
- Standard and extended warranty options



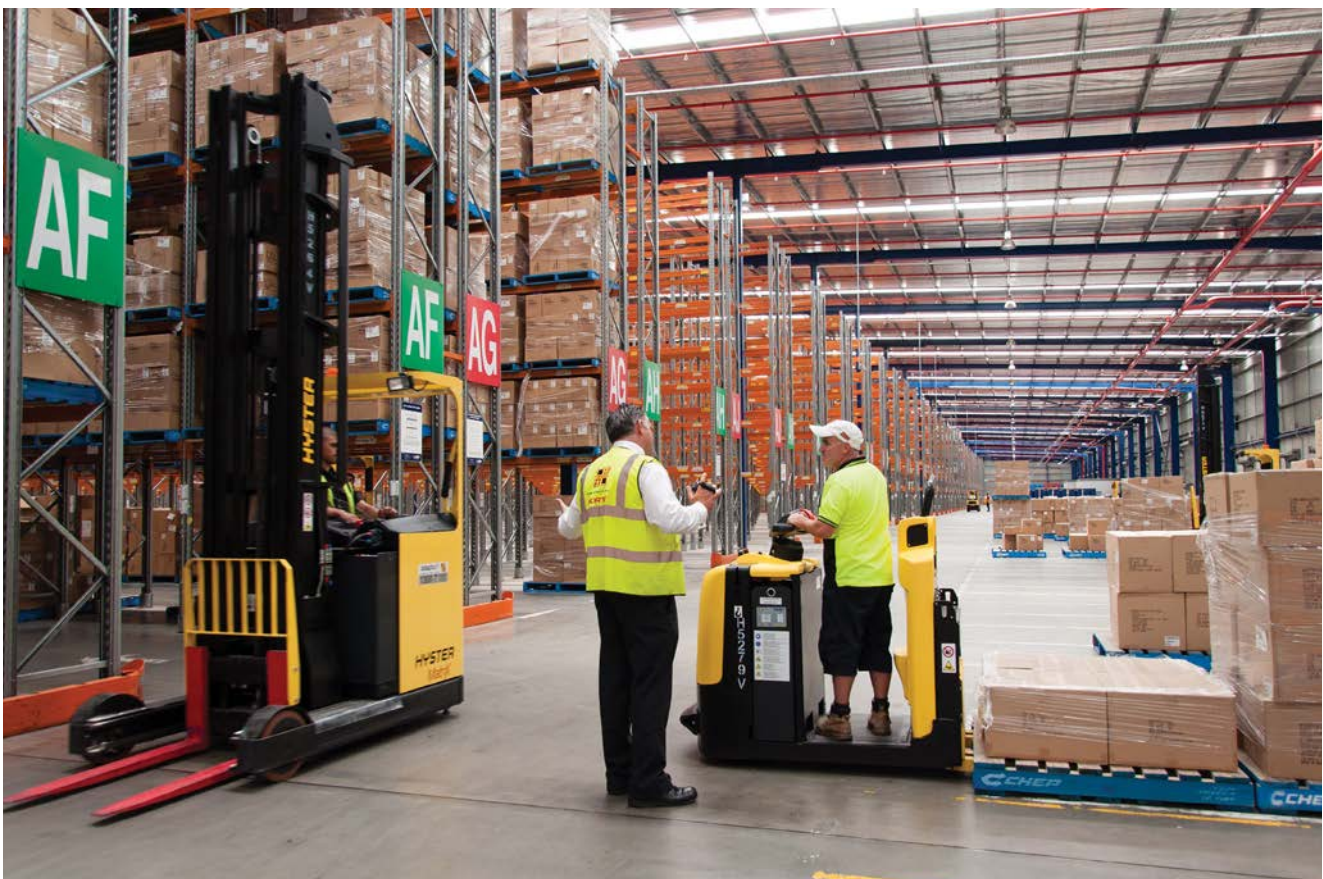
STRONG PARTNERS. TOUGH TRUCKS.™

For Demanding Operations, Everywhere.

Hyster supplies a complete range of warehouse equipment, IC and electric counterbalanced trucks, container handlers and reach stackers. Hyster is committed to being much more than a lift truck supplier.

Our aim is to offer a complete partnership capable of responding to the full spectrum of material handling issues. Whether you need professional consultancy on your fleet management, fully qualified service support, or reliable parts supply, you can depend on Hyster.

Our network of highly trained dealers provides expert, responsive local support. They can offer cost-effective finance packages and introduce effectively managed maintenance programs to ensure that you get the best possible value. Our business is dealing with your material handling needs so you can focus on the success of your business today and in the future.



L02.0-2.5

1,000 - 2,500 KG

LOW LEVEL
ORDER PICKERS

Adaptalift Hyster offer a complete range of forklifts and industrial solutions, including sales and hire, fleet management, service and parts.



Established in 1934, Hyster Forklifts have lead the way in design and reliability of materials handling equipment. A complete range of equipment is available, from powered pallet trucks to 52 tonne container handlers, with a variety of fuel types including LPG, Battery Electric and Diesel. So whatever size load you're handling, we can supply the solution.

Adaptalift began as Forklift Engineering Australia, which was founded in 1982 to design and manufacture forklift attachments. As demand grew for these attachments to be supplied with forklifts, Adaptalift Forklift Rentals & Sales was formed. Adaptalift has grown rapidly to become the largest Australian privately owned and operated forklift company, with a fleet of over 10,500 units nationwide. The combined strength of Adaptalift and Hyster Forklifts will revolutionise materials handling in this country.

AAL Hyster's reputation has been built on total commitment to customer service while providing the most reliable, flexible and cost effective solutions to materials handling and fleet management requirements. Several top 20 companies are already taking advantage of AAL Hyster's National Network.

With sales and service centres Australia wide, in all metropolitan & major regional areas, and a commitment to expand this network nationally, AAL Hyster guarantee industry leading response and efficient service. We at AAL Hyster understand the concept of 'partnership'. Our exceptional customer retention rate and long standing customer relationships are testimony to the fact AAL Hyster does it better.



YOUR TOTAL SERVICE SOLUTION

The Adaptalift Hyster Service program offers:



Priority Customer

Adaptalift Hyster Premium Service ensures your servicing needs are our priority. Adaptalift Hyster Premium Service members are priority customers and take precedence when requiring service or maintenance assistance



Exclusive Offers and Deals

Adaptalift Hyster Premium Service members receive exclusive offers and deals on equipment, servicing and parts including a superior hourly rate



Assigned Representative

Access to an assigned Aftermarket Representative who can provide expert advice and industry knowledge as well as ensuring dependable and consistent communication in relation to your forklift fleet maintenance



Fixed Service Pricing

Fixed service pricing for the first 12 months which assists with maintenance budget management for your business



Safety Checks

Rigorous safety checks specific to your make and model of equipment is conducted and any safety related issues are communicated immediately



Clear Pricing Structure

Any additional repairs are quoted and sent to your company with a clear pricing structure for review and approval prior to commencement



Scheduled Maintenance

A planned scheduled maintenance and servicing program tailored to fit with your shift patterns, hours and applications which is pre-booked to ensure no added maintenance responsibility to your business



24/7 Support

In the event of you requiring a technician onsite to tend to a breakdown, you can contact our Service Centre 24/7 on 1300 7 FLEET (1300 7 35338)



Waste Removal

Waste removal from your site by our technicians and disposal in line with Adaptalift Hyster's own Duty of Care

Branches

VICTORIA

Melbourne - Springvale (Head Office)

📍 1574 Centre Rd
Springvale, VIC, 3171
☎ [03] 9547 8000

Melbourne - Truganina

📍 42-44 Jessica Way
Truganina, VIC, 3029
☎ [03] 9394 4090

TASMANIA

Spreyton

📍 87a Devonport Road
Spreyton, TAS, 7310
☎ [03] 6427 3966

NEW SOUTH WALES

Sydney (State Office)

📍 219 Newton Rd
Wetherill Park, NSW, 2164
☎ [02] 8788 1777

Riverina

📍 5 Favell Street
Griffith, NSW, 2680
☎ [02] 6962 7343

QUEENSLAND

Brisbane (State Office)

📍 11 Lombank Street
Acacia Ridge, QLD, 4110
☎ [07] 3373 5111

Rockhampton

📍 62 Glenmore Road
Park Avenue, Rockhampton
QLD 4701
☎ [07] 4922 8874

Townsville

📍 39 Duckworth Street
Garbutt, QLD, 4814
☎ [07] 4778 2000

SOUTH AUSTRALIA/ NORTHERN TERRITORY

Adelaide (State Office)

📍 18-22 Churchill Rd. Nth.
Dry Creek, SA, 5094
☎ [08] 8360 3444

Mt Gambier

☎ 13 22 54

WESTERN AUSTRALIA

Perth (State Office)

📍 Unit 1, 1-9 Kurnall Road
Welshpool, WA, 6106
☎ [08] 9352 9200

Service Centres

VICTORIA

Bendigo
Warrnambool
Ballarat
Shepparton
Wondonga
Mildura

TASMANIA

Hobart
Launceston
Burnie

NEW SOUTH WALES

Dubbo
Griffith
Tamworth
Newcastle
Wollongong
Canberra
Tumut
Bathurst
Wagga Wagga
Albury
Gosford
Coffs Harbour

QUEENSLAND

Rockhampton
Mackay
Cairns
Gladstone
Townsville
Mt Isa
Toowoomba
Gold Coast
Sunshine Coast

SOUTH AUSTRALIA/NT

Riverland
Darwin

WESTERN AUSTRALIA

Margaret River



13 22 54

aalhyesterforklifts.com.au