

**adaptalift**



forklift hire ■ sales ■ service ■ parts

**P2.0**

**Pedestrian Pallet Truck**



**STRONG PARTNERS. TOUGH TRUCKS.™**

**13 22 54**  
[aalhyesterforklifts.com.au](http://aalhyesterforklifts.com.au)

# P2.0

## Pedestrian Pallet Truck

**adaptalift**

forklift hire ■ sales ■ service ■ parts



## MOVING HEAVY LOADS IS A WALK IN THE PARK

Like all Adaptalift Hyster equipment, they combine ergonomic features and reliable performance with energy efficiency and low-maintenance operation to deliver a machine that really helps your business deliver the goods.

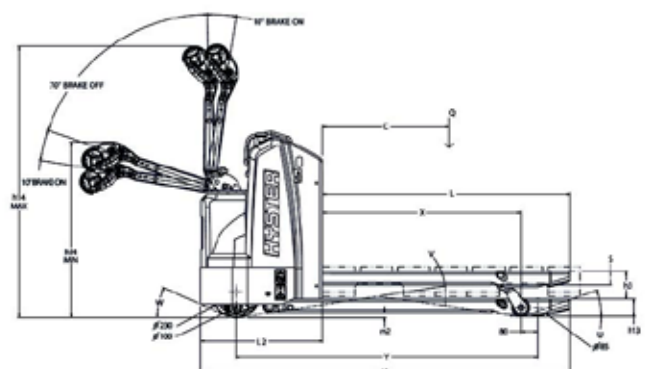
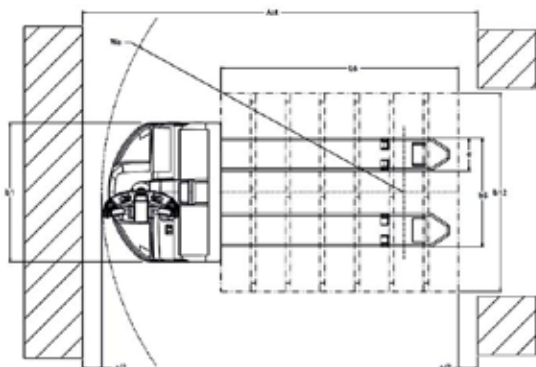
Offering a choice of 1125 or 1173mm long forks, with a 670mm fork spread and a 2000 kg load capacity, the Hyster® P2.0 may be one of the smaller units in our range – but it's still big on features.

Low-maintenance brushless AC traction control.

Short tilt control arm which delivers a tight turning radius.

Ergonomically designed mid-mount control handle with cushioned return spring plus a large.

Turn-table steel bearing for improved manoeuvrability with reduced steering effort.



# P2.0

## SPECIFICATIONS

Characteristics	Manufacturer		HYSTER								
	Model designation		P2.0								
	Wheelbase type		Single Load Wheels						Tandem Load Wheels*		
	Fork length	mm	1125			1173			1171		
	Outside fork width	mm	520	560	670	520	560	670	520	560	670
Dimensions	1.3	Power: battery, diesel, LPG, electric mains	Battery			Battery			Battery		
	1.4	Operation: manual, pedestrian, stand, seat, orderpicker	Pedestrian			Pedestrian			Pedestrian		
	1.5	Load capacity	2000			2000			2000		
	1.6	Load centre	600			600			600		
	1.7	Load distance, centre of drive axle to fork	893			942			896		
	1.8	Wheelbase (Raised)	1303			1352			1304		
Weights	2.1	Unladen weight (with battery)	528			530			530		
	2.2	Axle loading with load, front/rear	1058/1468			1060/1470			1060/1470		
	2.3	Axle loading without load, front/rear	398/128			400/130			400/130		
Wheels & Tyres	3.1	Tyres: rubber, polyurethane, Vulkollan front/rear	Poly/Poly			Poly/Poly			Poly/Poly		
	3.2	Tyre size, front	Ø 230x75			Ø 230x75			Ø 230x75		
	3.3	Tyre size, rear	Ø 85x110			Ø 85x110			Ø 85x110		
	3.4	Additional wheels (dimensions)	Ø 100x40			Ø 100x40			Ø 100x40		
	3.5	Wheels, number front/rear (x = driven)	1x + 2	2		1x + 2	2		1x + 2	4	
	3.6	Track width, front	461			461			461		
	3.7	Track width, rear	350	390	500	350	390	500	350	390	500
Dimensions	4.15	Lowered height	83			83			83		
	4.19	Overall length	1703			1751			1703		
	4.2	Length to face of forks	578			578			578		
	4.21	Overall width	712			712			712		
	4.22	Fork dimensions	64x170x1125			64x170x1173			64x170x1171		
	4.25	Outside fork width	520	560	670	520	560	670	520	560	670
	4.32	Ground clearance centre of wheelbase	21			21			21		
	4.33	Aisle width with pallets 1000mm x 1200mm wide	1869			N/A			N/A		
	4.34	Aisle width with pallets 800mm x 1200mm long	N/A			2068			2066		
	4.35	Turning radius	1562			1610			1562		
4.4	Lift height	130			130			130			
4.9	Height of tiller arm in drive position min/max	829/1288			829/1288			829/1288			
Performance	5.1	Travel speed with/without load	6/6			6/6			6/6		
	5.2	Lift speed with/without load	0.04/0.05			0.04/0.05			0.04/0.05		
	5.3	Lowering speed with/without load	0.09/0.04			0.09/0.04			0.09/0.04		
	5.7	Gradeability with/without load	10/15			10/15			10/15		
	5.8	Max gradeability with/without load	14.5/20			14.5/20			14.5/20		
	5.1	Service brake	Electric			Electric			Electric		
Motor	6.1	Drive motor, S2 60 minute rating	1.25			1.25			1.25		
	6.2	Lifting motor, S3 15% rating	1.2			1.2			1.2		
	6.3	Battery DIN 43531/35/36 A, B, C, no	B			B			B		
	6.4	Battery voltage/capacity at 5 hour rate	24/230			24/230			24/230		
	6.5	Battery weight +/-5%	212			212			212		
	6.6	Energy consumption according to VDI cycle	0.384			0.384			0.384		
Other	8.4	Sound level at the driver's ear according to DIN 12 053	<70			<70			<70		

## Branches

### VICTORIA

#### Melbourne - Springvale

- 📍 (Head Office)  
1574 Centre Rd  
Springvale, VIC, 3171
- ☎ [03] 9547 8000

#### Melbourne - Truganina

- 📍 42-44 Jessica Way  
Truganina, VIC, 3029
- ☎ [03] 9394 4090

### TASMANIA

#### Tasmania

- 📍 87a Devonport Road  
Spreyton, TAS, 7310
- ☎ [03] 6427 3966

### NEW SOUTH WALES

#### Sydney (State Office)

- 📍 219 Newton Rd  
Wetherill Park, NSW, 2164
- ☎ [02] 8788 1777

#### Riverina

- 📍 5 Favell Street  
Griffith, NSW, 2680
- ☎ [02] 6962 7343

#### Newcastle

- 📍 3/46 Munibung Rd  
Cardiff, 2285
- ☎ [02] 4954 7724

### QUEENSLAND

#### Brisbane (State Office)

- 📍 11 Lombank Street  
Acacia Ridge, QLD, 4110
- ☎ [07] 3373 5111

#### Rockhampton

- 📍 62 Glenmore Road  
Park Avenue, Rockhampton  
QLD 4700
- ☎ [07] 4922 8874

#### Townsville

- 📍 39 Duckworth Street  
Garbutt, QLD, 4814
- ☎ [07] 4778 2000

### SOUTH AUSTRALIA

#### Adelaide (State Office)

- 📍 18-22 Churchill Rd. Nth.  
Dry Creek, SA, 5094
- ☎ [08] 8360 3444

#### Mt. Gambier

- 📍 1 Avey Road  
Mt. Gambier, SA, 5290
- ☎ [08] 8725 7809

### WESTERN AUSTRALIA

#### Perth (State Office)

- 📍 Unit 1, 1-9 Kurnall Road  
Welshpool, WA, 6106
- ☎ [08] 9352 9200

#### Kalgoorlie

- 📍 15 Close Way  
Kalgoorlie, WA, 6430
- ☎ [08] 9091 8599

## Service Centres

### Victoria

- Bendigo
- Warrnambool
- Ballarat
- Shepparton
- Albury / Wodonga

### Tasmania

- Hobart
- Launceston
- Burnie

### New South Wales

- Dubbo
- Griffith
- Uralba
- Tamworth
- Newcastle
- Wollongong
- Canberra
- Tumut
- Bathurst
- Wagga Wagga

### Queensland

- Rockhampton
- Mackay
- Cairns

### South Australia/NT

- Mildura
- Riverland
- Darwin

### Western Australia

- Margaret River



# 13 22 54

[aalhysterforklifts.com.au](http://aalhysterforklifts.com.au)