

adaptalift **GROUP**



J1.5-3.5UT

1,500 - 3,500 KG

4-WHEEL
ELECTRIC
FORKLIFT

LI-ON
BATTERY



**THE SOLUTION TO YOUR
APPLICATION NEEDS**

13 22 54
www.adaptalift.com.au

J1.5-3.5UT

1,500 - 3,500 KG

4 WHEEL
ELECTRIC FORKLIFT

OVERVIEW

The Hyster® UT Series provides the ideal solution to meet your less frequent usage needs, without compromising on performance.

The Range

The J1.5-3.5UT range is available in six different capacities:

1,500KG – J1.5UT / 1,800KG – J1.8UT
2,000KG – J2.0UT / 2,500KG – J2.5UT
3,000KG – J3.0UT / 3,500KG – J3.5UT

Design

The design of the UT range has been engineered with the driver in mind. The ergonomically designed operator compartment, with a familiar layout, means that drivers will be able to work effortlessly. A range of standard features and options help to ensure the truck is configured to the needs of the application.

Low Cost of Ownership

The use of high quality and robust components contribute to reliable operations and lower wear and tear. This, together with fast availability of cost-effective replacement parts helps to reduce maintenance requirements and costs.

Hydraulics

High quality cylinders with hard chrome rods reduce seal wear for long life. A full-flow, low pressure filter on the return line keeps the hydraulic oil clean, which helps to minimise seal and pump wear. In addition, this keeps the control valve in good condition, leading to low service costs.

LI-ON
BATTERY



**5 YEAR
WARRANTY**

Long term
efficiency



**OPPORTUNITY
CHARGING**

Charge your battery
when you want to



**MAINTENANCE
FREE BATTERY**

No need for water
or maintenance

FEATURES



- 1 HIGH STRENGTH OVERHEAD GUARD**
The overhead guard features profiled steel, with high strength materials to enhance reliability and operator protection.
- 2 LOW STEP HEIGHT**
The conveniently positioned low step provides easy access to the truck.
- 3 AC CONTROLLER**
European designed AC controllers coupled with AC traction and hydraulic motors allow for precise truck controllability. The controllers are easily accessible which can also minimise service time.

- 4 SMALL STEERING WHEEL**
The adjustable steering wheel position provides convenience for the operator as it provides 8 degrees of adjustment. Low steering effort makes it easy to operate in confined spaces.
- 5 INTEGRATED MOTOR, TRANSMISSION AND AXLE**
The compact structure of the drive system provides adequate access for maintenance. Precision cut gears are incorporated, leading to reduced wear and lower noise levels.
- 6 WIDE VIEW MAST**
The wide view mast can significantly improve the operator's forward field of view, providing an increase in comfort and safety.

J1.5-3.5UT

1,500 - 3,500 KG

4 WHEEL
ELECTRIC FORKLIFT

FEATURES



Safety and Compliance

- ✓ High visibility mast with soft landing as standard to absorb shocks
- ✓ Controlled mast lowering speed avoids damaging goods
- ✓ Secure overhead guard passed CE drop test and safety standards
- ✓ LED lights as standard
- ✓ Operator presence system provides increased operator safety
- ✓ Sequential seatbelt interlock feature and travel speed limiting with mast elevated available for Australia

Performance

- ✓ Simple and clear display of speed, power, error code, working hours ensure that the operator is fully informed
- ✓ The latest colour display integrated with functions such as performance selection allows the operator to configure the truck to meet different application requirements
- ✓ AC traction and lifting motors, with electronic control delivers a high level of performance



Comfort

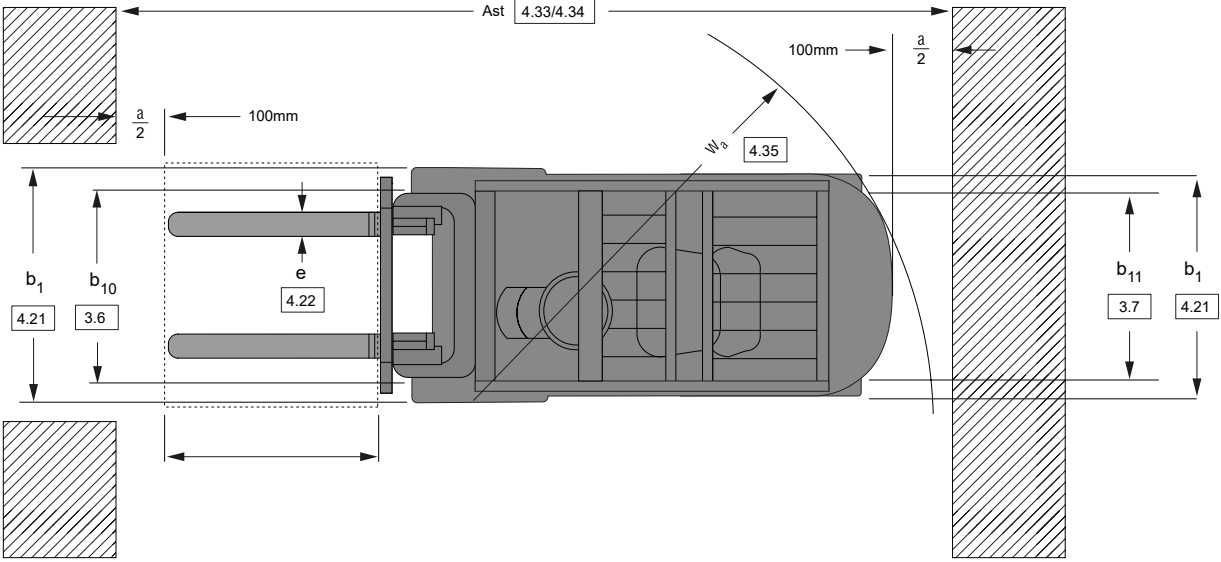
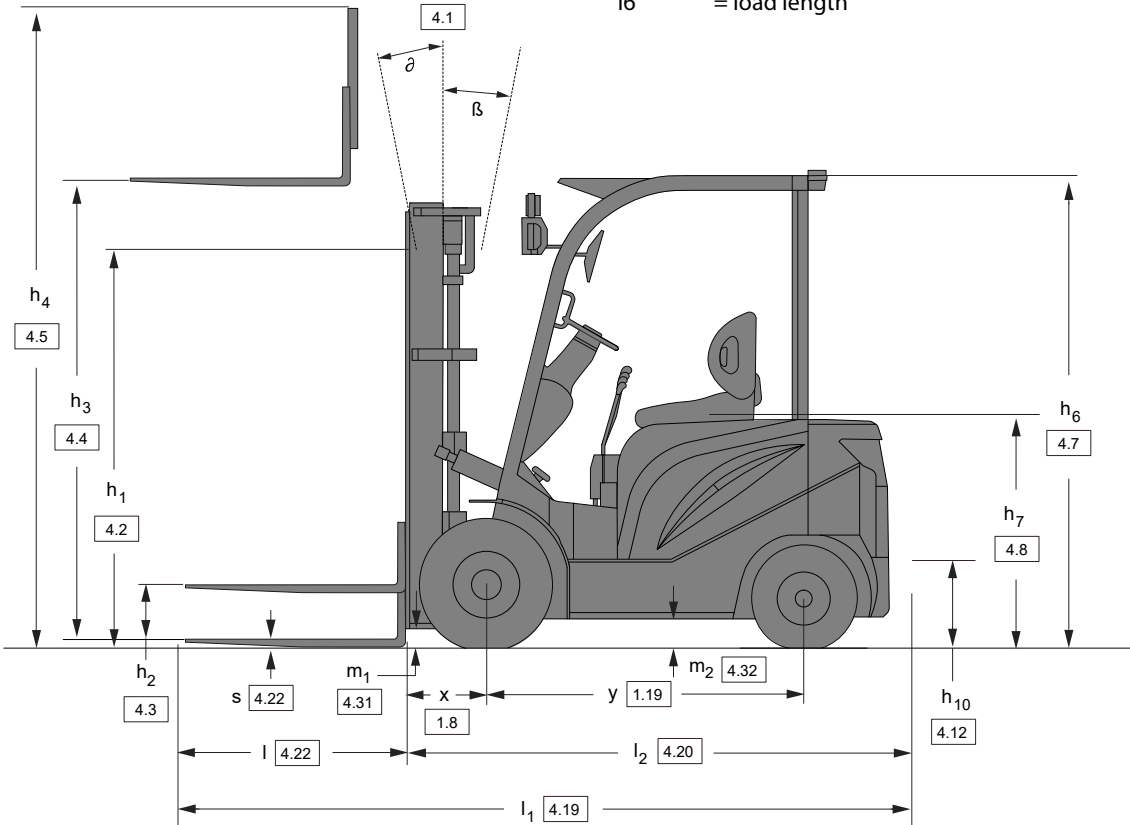
- ✓ Hydraulic power steering requires low steering effort without kick-back which allows for precise positioning
- ✓ Full suspension seat reduces driver fatigue
- ✓ Adjustable steering column and seat to suit all operators
- ✓ Low entrance step and large floor space
- ✓ Ergonomically designed hand brake

Service

- ✓ AC traction and hydraulic motors reduce maintenance cost
- ✓ IP54 design ensures reliability
- ✓ The controller assembly is mounted inside the counterweight and is protected by an easy to remove cover
- ✓ CANbus communication simplifies troubleshooting

DIMENSIONS

- Ast = $Wa + x + 16 + a$
- a = Minimum operating clearance of 200mm
- l6 = load length



MAST SPECIFICATIONS

J1.5-1.8UT MAST AND CAPACITY CHARTS

Mast Type	Max fork height (mm)	Overall Extended Height						Free lift		Mast Tilt		Capacity without side shift			
		Lowered height (mm)		Lift height				Without LBR (mm)	With LBR (mm)	Forward (Deg)	Back (Deg)	@ 500mm Single Pneumatic Tyre (kg)		@ 600mm Single Pneumatic Tyre (kg)	
				Without LBR (mm)		With LBR (mm)						1.5t	1.8t	1.5t	1.8t
		1.5t	1.8t	1.5t	1.8t	1.5t	1.8t								
2LFL	3300	2140	2140	4284	4284	3813	3813	135	135	5	10	1500	1800	1350	1620
	3500	2240	2240	4484	4484	4013	4013	135	135	5	10	1500	1800	1350	1620
	4000	2540	2540	4984	4984	4513	4513	135	135	5	10	1400	1700	1260	1532
2FFL	3000	1990	1990	3984	3984	3513	3513	1415	1030	5	10	1500	1800	1350	1620
	3300	2140	2140	4284	4284	3813	3813	1565	1180	5	10	1500	1800	1350	1620
3FFL	4500	2040	2040	5484	5484	5013	5013	1470	1080	5	6	1200	1400	1080	1260
	4800	2140	2140	5784	5784	5313	5313	1570	1180	5	6	1100	1200	990	1080
	5500	2405	2405	6484	6484	6013	6013	1835	1445	3	6	750	850	670	760
	6000	2590	2610	6984	6984	6513	6513	2040	1650	3	6	450	550	400	490

J2.0-2.5UT MAST AND CAPACITY CHARTS

Mast Type	Max fork height (mm)	Overall Extended Height						Free lift		Mast Tilt		Capacity without side shift			
		Lowered height (mm)		Lift height				Without LBR (mm)	With LBR (mm)	Forward (Deg)	Back (Deg)	@ 500mm Single Pneumatic Tyre (kg)		@ 600mm Single Pneumatic Tyre (kg)	
				Without LBR (mm)		With LBR (mm)						2t	2.5t	2t	2.5t
		2t	2.5t	2t	2.5t	2t	2.5t								
2LFL	3300	2165	2165	3915	3915	4317	4317	140	140	5	10	2000	2500	1810	2260
	3500	2265	2265	4115	4115	4517	4517	140	140	5	10	2000	2500	1810	2260
	4000	2565	2565	4615	4615	5017	5017	140	140	5	10	2000	2500	1810	2260
2FFL	3000	2015	2015	3615	3615	4017	4017	1385	985	5	10	2000	2500	1810	2260
	3300	2165	2165	3915	3915	4317	4317	1535	1135	5	10	2000	2500	1810	2260
3FFL	4500	2075	2075	5171	5171	5516	5516	1440	1040	5	6	1600	2000	1450	1810
	4800	2175	2175	5471	5471	5816	5816	1540	1140	5	6	1250	1700	1130	1540
	5500	2440	2440	6171	6171	6516	6516	1800	1400	3	6	900	1200	810	1090
	6000	2625	2625	6671	6671	7016	7016	1990	1590	3	6	700	800	630	720

J3.0UT MAST AND CAPACITY CHARTS

Mast Type	Max fork height (mm)	Overall Extended Height				Free lift		Mast Tilt		Capacity without side shift	
		Lowered height (mm)	Lift height		Without LBR (mm)	With LBR (mm)	Forward (Deg)	Back (Deg)	@ 500mm Single Pneumatic Tyre (kg)	@ 600mm Single Pneumatic Tyre (kg)	
			Without LBR (mm)						With LBR (mm)		3t
		3t	3t	3t							
2LFL	3300	2195	3940	4440	165	165	5	10	3000	2720	
	3500	2295	4140	4640	165	165	5	10	3000	2720	
	4000	2595	4640	5140	165	165	5	10	2850	2580	
2FFL	3000	2045	3640	4140	1390	935	5	10	3000	2720	
	3300	2195	3940	4440	1540	1085	5	10	3000	2720	
3FFL	4500	2095	5165	5640	1510	975	5	6	2500	2270	
	4800	2195	5465	5940	1610	1075	5	6	2250	2040	
	5500	2460	6165	6640	1865	1330	3	6	1600	1450	
	6000	2645	6665	7140	2060	1525	3	6	1200	1090	

J3.5UT MAST AND CAPACITY CHARTS

Mast Type	Max fork height (mm)	Overall Extended Height				Free lift		Mast Tilt		Capacity without side shift	
		Lowered height (mm)	Lift height		Without LBR (mm)	With LBR (mm)	Forward (Deg)	Back (Deg)	@ 500mm Single Pneumatic Tyre (kg)	@ 600mm Single Pneumatic Tyre (kg)	
			Without LBR (mm)						With LBR (mm)		3.5t
		3.5t	3.5t	3.5t							
2LFL	3300	2270	4010	4440	170	170	5	10	3500	3180	
	3500	2370	4210	4640	170	170	5	10	3500	3180	
	4000	2670	4710	5140	170	170	5	10	3300	3000	
2FFL	3000	2120	3700	4100	1415	1000	5	10	3500	3180	
	3300	2270	4000	4400	1565	1150	5	10	3500	3180	
3FFL	4500	2170	5250	5650	1510	975	5	6	2800	2550	
	4800	2270	5550	5950	1610	1075	5	6	2500	2270	
	5500	2535	6250	6650	1865	1330	3	6	1700	1540	
	6000	2720	6750	7150	2060	1525	3	6	1300	1180	

Note: For integral sideshift deduct 50kg from stated capacity

SPECIFICATIONS

Distinguishing mark	1.1	Manufacturer		HYSTER	HYSTER	HYSTER	HYSTER	HYSTER	HYSTER
	1.2	Model designation		J1.5UT	J1.8UT	J2.0UT	J2.5UT	J3.0UT	J3.5UT
	1.3	Power: battery, diesel, LPG, electric mains		Battery	Battery	Battery	Battery	Battery	Battery
	1.4	Operation: manual, pedestrian, stand, seat, orderpicker		Seated	Seated	Seated	Seated	Seated	Seated
	1.5	Load capacity	Q (kg)	1500	1800	2000	2500	3000	3500
	1.6	Load centre	c (mm)	500	500	500	500	500	500
	1.8	Load distance	x (mm)	410	410	454	454	475	495.5
	1.9	Wheelbase	y (mm)	1380	1380	1485	1485	1670	1690
	Weight	2.1	Unladen weight (max. battery)	kg	2950	3230	3930	4100	4750
2.2		Axle loading, laden front/rear (max. battery)	kg	3960/490	4280/610	5160/750	5755/845	6900/850	7865/1035
2.3		Axle loading, unladen front/rear (max. battery)	kg	1390/1560	1290/1800	1895/2035	1650/2450	2070/2680	2300/3100
Tyres, chassis	3.1	Tyres: L=pneumatic, V=cushion SE= superelastic		SE	SE	SE	SE	SE	SE
	3.2	Tyre size, front		6.00-9	21x8-9	23x9-10	23x9-10	23x9-10	23x10-12
	3.3	Tyre size, rear		5.00-8	5.00-8	18x7-8	18x7-8	18x7-8	200/50-10
	3.5	Number of wheels, front/rear (X = driven)		2x/2	2x/2	2x/2	2x/2	2x/2	2x/2
	3.6	Track width, front	b10 (mm)	955	955	1058	1058	1065	1124
	3.7	Track width, rear	b11 (mm)	920	920	960	960	980	1010
	Dimensions	4.1	Mast tilt, forward a /back b	degrees	5/10	5/10	5/10	5/10	5/10
4.2		Height of mast, lowered	h1 (mm)	2000	2000	2015	2015	2045	2120
4.3		Free lift, ^a	h2 (mm)	135	135	140	140	165	165
4.4		Lift height, ^b	h3 (mm)	3000	3000	3000	3000	3000	3000
4.5		Height of mast, extended ^c	h4 (mm)	3980	3980	3980	3980	3980	3980
4.7		Height to top of overhead guard ^d	h6 (mm)	2155	2155	2152	2152	2152	2138
4.8		Seat height ^u	h7 (mm)	1080	1080	1080	1080	1080	1080
4.12		Towing coupling height	h10 (mm)	290	290	250	250	270	270
4.19		Overall length (with forks)	l1 (mm)	2993	2993	3356.5	3356.5	3618	3709
4.20		Length to face of forks	l2 (mm)	2073	2073	2286.5	2286.5	2548	2639
4.21		Overall width	b1 (mm)	1120	1120	1285	1285	1285	1365
4.22		Fork dimensions	s/e/l (mm)	35/100/920	35/100/920	40/122/1070	40/122/1070	45/122/1070	50/122/1070
4.23		Fork carriage DIN 15173. Class, A/B		2A	2A	2A	2A	3A	3A
4.24		Fork carriage width ^e	b3 (mm)	1040	1040	1040	1040	1100	1100
4.25		Width over forks	b5 (mm)	890	890	1000	1000	1060	1060
4.31		Ground clearance, laden, below mast	m1 (mm)	95	95	65	65	65	80
4.32		Ground clearance at centre of wheelbase	m2 (mm)	105	105	95	95	110	83
4.33	Aisle width with pallets 1000mm long x 1200mm wide	Ast (mm)	3541	3541	3732	3732	4025	4101	
4.34	Aisle width with pallets 800mm wide x 1200mm long	Ast (mm)	3741	3741	3932	3932	4225	4301	
4.35	Outer turning radius	Wa (mm)	1965	1965	2080	2080	2349	2405	
4.36	Inner turning radius	b13 (mm)	703	703	599	599	830	815	
Performance data	5.1	Travel speed laden/unladen	km/h	15/16	15/16	15/16	15/16	15/16	15/16
	5.2	Lifting speed laden/unladen	mm/s	320/400	300/400	320/400	280/400	320/400	280/400
	5.3	Lowering speed laden/unladen	mm/s	390/500	390/500	390/420	390/420	390/420	400/320
	5.6	Maximum drawbar pull laden/unladen, 5 minute rating	N	11600/7500	11600/7500	13000/10500	13000/10500	19000/11000	19000/11000
	5.8	Maximum gradeability with/without load, 5minute rating	%	15/23	14/22	15/23	15/22	15/22	15/22
	5.9	Acceleration time with/without load 10m	sec	5/4.5	5/4.5	5.4/4.5	5.5/4.7	5.5/4.7	5.7/5.2
	5.10	Service brake		Hydraulic	Hydraulic	Hydraulic	Hydraulic	Hydraulic	Hydraulic
Electric-Motor	6.1	Drive Motor Rating, S2, 60min	kW	6.5	6.5	8.5	8.5	11.5	11.5
	6.2	Lifting motor, S3 15% rating	kW	8.6	8.6	11	11	15	15
	6.4	Battery voltage/capacity (5hr rate)	V/Ah	48/420	48/420	48/600	48/600	80/500	80/500
	6.5	Battery weight (min/max)	kg	710	710	950	950	1420	1420
	NEW	Battery dimensions	l/w/h(mm)	985/465/750	985/465/750	1028/500/780	1028/500/780	1028/674/780	1028/674/780
	6.6	Power consumption in accordance with VDI cycle	kWh/h	4.8	5.0	5.7	6.2	7.6	8.0
Additional data	8.1	Drive control		AC control	AC	AC	AC	AC	AC
		Manufacturer		Curtis	Curtis	Curtis	Curtis	Curtis	Curtis
	8.2	Operating pressure for attachments	bar	145	145	175	175	175	175
	8.3	Oil volume for attachments	l/min	38	38	38	38	38	38
	8.4	Average noise level at operator's ear ⁻	dB (A)	70.3	70.3	67.5	67.5	71.8	71.8
8.5	Towing coupling, type DIN		Ø30 Pin	Ø30 Pin	Ø30 Pin	Ø30 Pin	Ø30 Pin	Ø30 Pin	

- LPAZ, measured according to the test cycles and based on the weighting values contained in EN12053
- ^a Bottom of forks
- ^u Full suspension specified
- ^e Without load backrest
- ^m h6 subject to +/- 5 mm tolerance
- ^x Variable

Specification data is based on VDI 2198, with the following configuration: Complete truck with 3000mm 2-stage limited free lift mast, standard carriage and forks, overhead guard and standard superelastic drive and steer tyres.

Branches

VICTORIA

Melbourne - Springvale (Head Office)

📍 1574 Centre Rd
Springvale, VIC, 3171
☎ [03] 9547 8000

Melbourne - Truganina

📍 501 Robinsons Rd
Truganina, VIC, 3029
☎ [03] 9394 4000

NEW SOUTH WALES

Sydney (State Office)

📍 219 Newton Rd
Wetherill Park, NSW, 2164
☎ [02] 8788 1777

Port Kembla

📍 20-26 Flinders Street
Port Kembla, NSW, 2505
☎ 13 22 54

QUEENSLAND

Brisbane (State Office)

📍 11 Lombank Street
Acacia Ridge, QLD, 4110
☎ [07] 3373 5111

Rockhampton

📍 62 Glenmore Road
Park Avenue, Rockhampton
QLD 4701
☎ [07] 4922 8874

Townsville

📍 39 Duckworth Street
Garbutt, QLD, 4814
☎ [07] 4778 2000

SOUTH AUSTRALIA

Adelaide (State Office)

📍 18-22 Churchill Rd. Nth.
Dry Creek, SA, 5094
☎ [08] 8360 3444

WESTERN AUSTRALIA

Perth (State Office)

📍 Unit 1, 1-9 Kurnall Road
Welshpool, WA, 6106
☎ [08] 9352 9200

Karratha

📍 Lot 3873-Pemberton Road
Karratha, WA, 6714
☎ 13 22 54

TASMANIA

Spreyton

📍 87a Devonport Road
Spreyton, TAS, 7310
☎ [03] 6427 3966

Service Centres

VICTORIA

Bendigo
Warrnambool
Ballarat
Shepparton
Wondonga
Mildura

TASMANIA

Hobart
Launceston
Burnie

NEW SOUTH WALES

Dubbo
Griffith
Tamworth
Newcastle
Wollongong
Canberra
Tumut
Bathurst
Wagga Wagga
Albury
Gosford
Coffs Harbour

QUEENSLAND

Rockhampton
Mackay
Cairns
Gladstone
Townsville
Mt Isa
Toowoomba
Gold Coast
Sunshine Coast

SOUTH AUSTRALIA/NT

Riverland
Darwin

WESTERN AUSTRALIA

Bunbury
Kalgoorlie
Karratha



Disclaimer: The specifications set out in this brochure are based on current specifications of the units as made available to us from the manufacturer and are correct at the time of printing. Whilst every care has been taken to ensure that these specifications are correct, the specifications may change from time to time and no representation or warranty is made by Adapt-A-Lift Group that these specifications are correct at the time you place any order with us. You should not rely on this brochure as being the correct specifications of the unit(s) and should check with us to ensure that these specifications are correct at the time of placing any order with us.

13 22 54
www.adaptlift.com.au