

liftsmart

LS-RT25-35-4

Four-Wheel Drive
Rough Terrain Forklift

2,500 - 3,500 kg



13 22 54

www.adaptalift.com.au

LS-RT25-35-4

Four-Wheel Drive Rough Terrain Forklift | 2,500 - 3,500 kg

The RT25-35-4 series of four-wheel drive rough terrain forklifts from Liftsmart is a series of high performance forklifts capable of operating in even the harshest outdoor conditions.

The forklifts have been developed and engineered through extensive industry research to ensure they are able to function optimally in all conditions.



Introduction

Liftsmart's 2.5-3.5T 4WD series of forklifts are a tough, compact rough terrain forklift with a high quality four wheel drive system.

Based on a two-wheel drive model, they're renowned for their superior performance, economy and longevity.

6 Reasons to choose Four-Wheel Drive Rough Terrain Forklift

- Reliability
- Productivity
- Environmental Friendliness
- Comfortable Operation
- Easy Maintenance
- High Performance



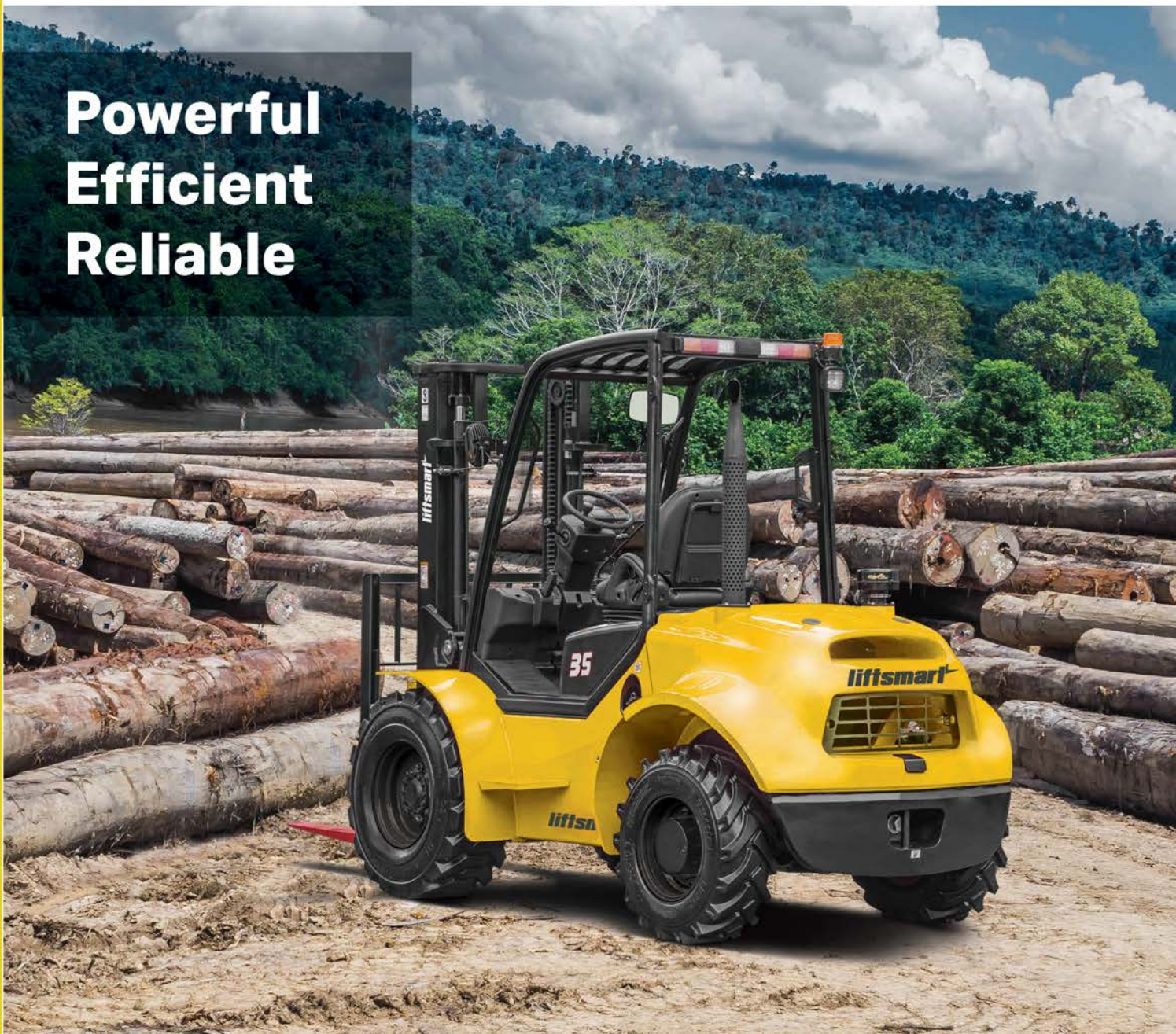
LS-RT25-35-4

Four-Wheel Drive Rough Terrain Forklift | 2,500 - 3,500 kg



Interactive dash display: Each forklift is fitted with a 4 inch colour LCD display with four buttons and one CAN bus communication function. The communication protocols are compatible with SAE J1939 standards.

**Powerful
Efficient
Reliable**



Reliability

The full-floating hydraulic transmission gearbox with full switch functionality between 2WD and 4WD modes, providing higher running speeds and stronger reliability.



Higher specification fork mounting level-3B, more weight can be loaded.

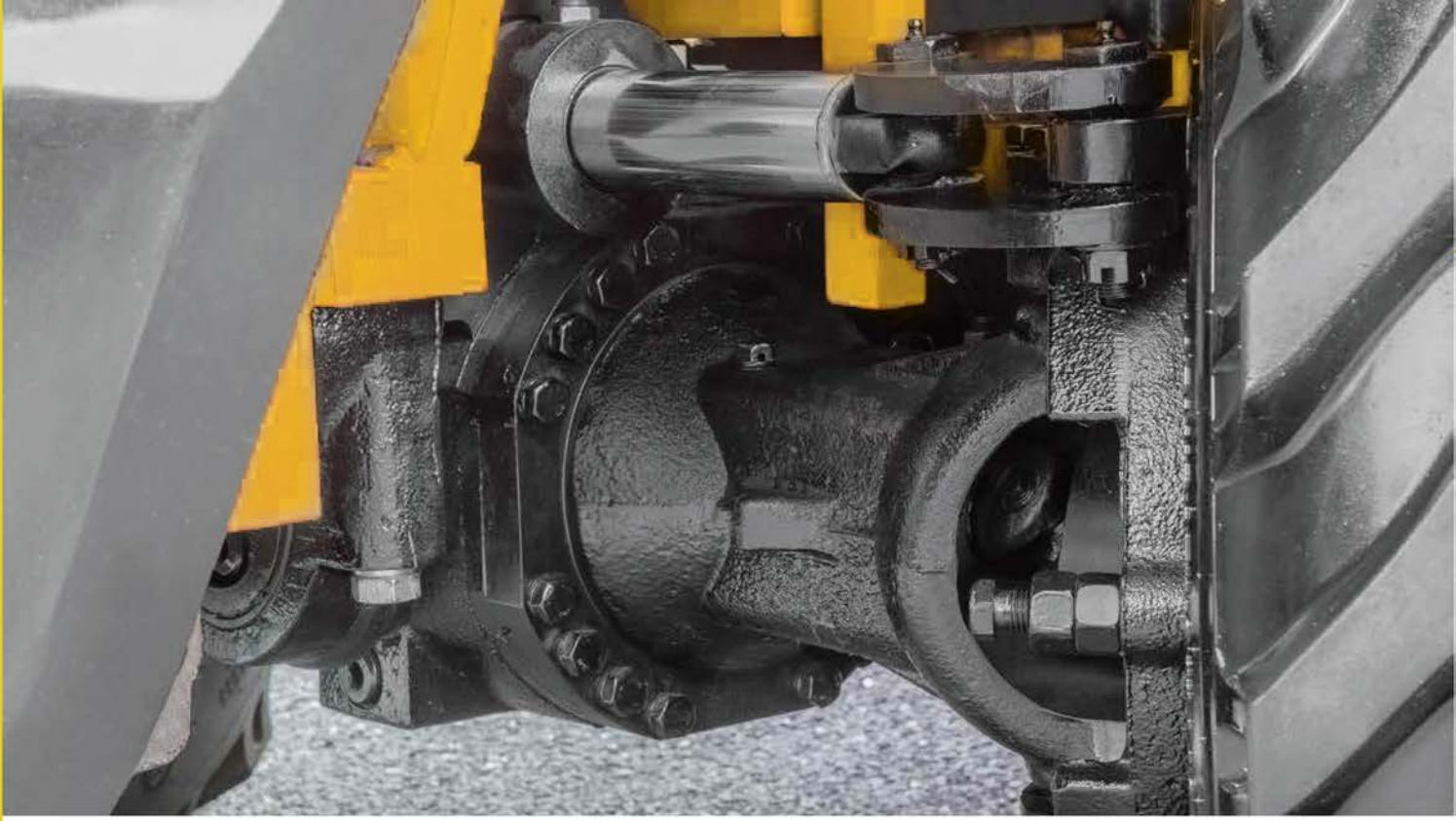
Wide-base deep tread tyres

The drive axle is equipped with wide-base deep tread tires, wet brakes, electronic differential lock mechanism and reinforced steering drive axles, allowing easy adaption to all working environments.

Front tyre:
14-17.5

Rear tyre:
10.0/75-15.3





Individual oscillating steer axles allow each wheel to drive over obstacles, whilst keeping the truck and load level.

Air filters with a larger capacity combined radiator with serpentine wave and optimised heat dissipation channels enhance the heat dissipating capabilities to keep the unit engine reliable even in the toughest conditions.



A specifically design rough terrain differential features manual differential lock providing greater traction during inclement weather conditions and rough operating surfaces. The differential lock prevents power loss from wheel spin.



Productivity



New dynamic load sensing hydraulic steering system reduces loss of hydraulic power and improves energy efficiency.



New LED lights provide superior illumination and prolonged work time, with reduced energy consumption.

Comfortable Operation

Operator comfort, ergonomics and ease of operation were at the forefront developing these forklifts. Units include the following features:

- ✓ Improved anti-vibration features
- ✓ Compound engine dampening
- ✓ Full floating seat and cabin

These features improve operator comfort, contributing to increased productivity whilst reducing potential health risks.

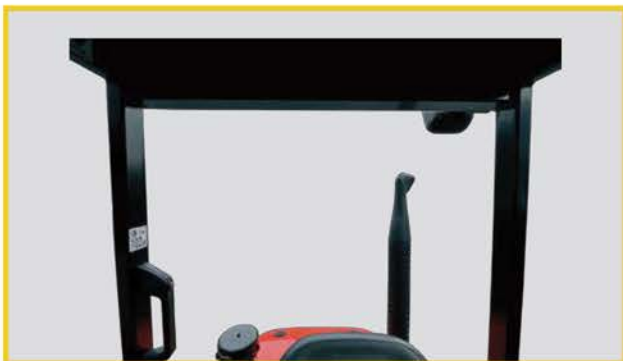




In addition to rubber dampening between the forklift frames and steering axles, compound engine dampening and a full floating power train provide a flexible connection, significantly reducing vibrations from the driving system.



Extra space in the foot well significantly reduces operator fatigue, non-slip floor covering allows for easy and safe entry and exit from the cabin. The newly designed steering wheel, brake system and easy to operate levers provide improved handling.



Optimised cabin framework offers operators greater visibility.



Increased forward visibility results from the broader mast design with a larger gap between the inside mast.

Easy Maintenance



A newly developed LC instrument panel displays the full truck status, relevant fault codes and other important information, providing owners and operators with a clear and convenient understanding of the trucks health ensuring easy maintenance can be carried out when necessary.



Adoption of a new generation integrated electric box allows for easy maintenance and repairs. The unit also provided improved water-proof protection.



An easy to open hook provides convenient access to the engine compartment.



Wet brakes offer maximum brake life cycle.

- ✓ Cover panel can be simply lifted up to check brake fluid.
- ✓ The two piece design make the floorboards easy to lift and remove to access the power train.
- ✓ The radiator cover fasteners can be easily turned by hand to enable quick inspections or servicing.



Four-Wheel Drive Rough Terrain Forklift



High Performance



Manoeuvrability

With a ground clearance of up to 280mm for the 3T model the forklift offers greater manoeuvrability and allow the unit to move across the roughest terrain. The unit possess a low centre of gravity thanks to superior weight distribution giving the unit excellent stability.



Three Forward Gears

Suspended hydraulic transmission with three forward gears provide the unit with a top speed of 26km/h.



Standard Specification

- ✓ Suspended transmission
- ✓ Electronic differential lock
- ✓ 2-wheel drive, 4 wheel drive system
- ✓ Wet brakes
- ✓ Overhead guard
- ✓ Suspension seat
- ✓ Large capacity aluminium radiator
- ✓ Warning lamp
- ✓ Cover for tilt cylinder
- ✓ Reversing assist grip
- ✓ Wide fork carriage
- ✓ Wide load backrest
- ✓ LED work lights
- ✓ L/R mirrors
- ✓ Operator presence system with seatbelt sequencing
- ✓ Side-shift

Options

- ✓ Full cabin with air-conditioning and heater
- ✓ Front window
- ✓ Custom paint job
- ✓ Spark arrester
- ✓ Triplex wide view free-lift mast
- ✓ Weighing System

LS-RT25-35-4

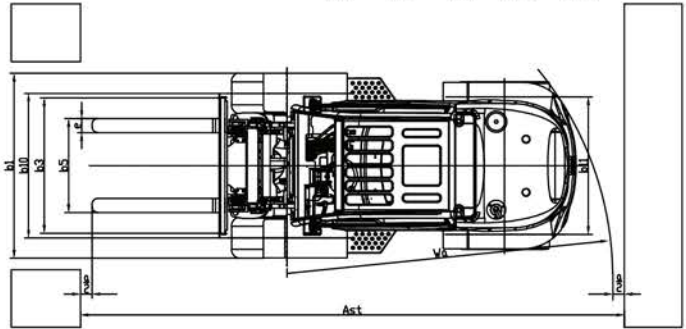
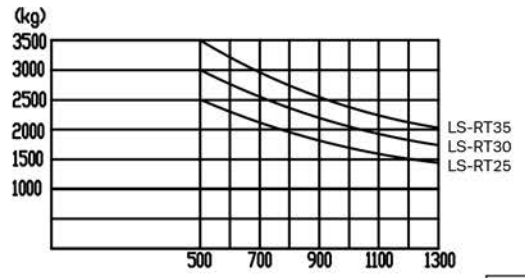
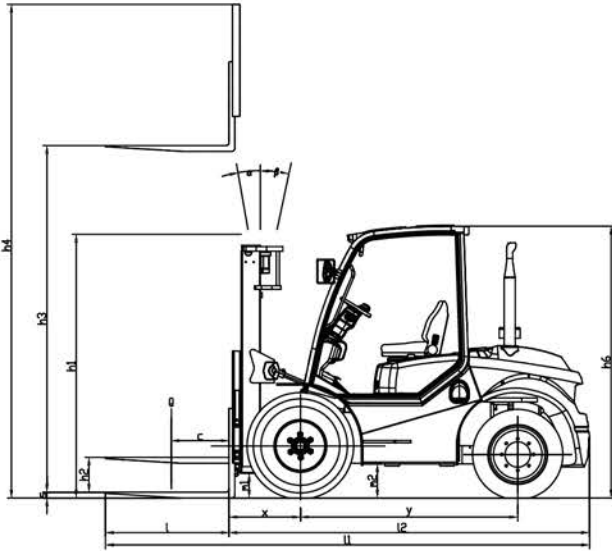
Four-Wheel Drive Rough Terrain Forklift | 2,500 - 3,500 kg

Specification

Distinguishing mark	LIFTSMART				
	LS-RT25-4	LS-RT30-4	LS-RT35-4		
1.1	Manufacturer				
1.2	Manufacturer's type designation				
1.3	Drive: electric (battery or mains), diesel, petrol, fuel gas				
1.4	Operator type				
1.5	Rated capacity/rated load	Q (kg)	2500	3000	3500
1.6	Load centre distance	c (mm)	500	500	500
1.8	Load distance, centre of drive axle to fork	x (mm)	585	600	600
1.9	Wheelbase	y (mm)	1880	1880	1880
2.1	Service Weight	kg	4850	5340	5600
2.2	Axle loading, laden front/rear	kg	6190/1160	7200/1140	7900/1200
2.3	Axle loading, unladen front/rear	kg	2130/2720	2340/3000	2300/3300
3.1	Tyres				
3.2	Tyre size, front				
3.3	Tyre size, rear				
3.5	Wheels, number front / rear (x = driven wheels)				
3.6	Tread, front	b10 (mm)	1250	1250	1250
3.7	Tread, rear	b11 (mm)	1190	1190	1190
4.1	Tilt of mast/fork carriage forward/backward	$\alpha/\beta(^{\circ})$	10/12	10/12	10/12
4.2	Height, mast lowered	h1 (mm)	2215	2350	2350
4.3	Free lift	h2 (mm)	140	145	145
4.4	Lift	h3 (mm)	3000	3000	3000
4.5	Height, mast extended	h4 (mm)	4122	4142	4142
4.7	Height of overhead guard (cabin)	h6 (mm)	2390	2420	2420
4.19	Overall length	l1 (mm)	4305	4320	4320
4.20	Length to face of forks	l2 (mm)	3085	3100	3100
4.21	Overall width	b1 (mm)	1557	1599	1599
4.22	Fork dimensions ISO 2331	s/e/l (mm)	40x122x1220	50x122x1220	50x122x1220
4.23	Fork carriage DIN 15 173 --- ISO 2328, class/type A,B		B	B	B
4.24	Fork-carriage width	b3 (mm)	1150	1150	1150
4.25	Distance between fork-arms	b5 (mm)	290-1150	290-1150	290-1150
4.31	Ground clearance, laden, below mast	m1 (mm)	240	270	270
4.32	Ground clearance, centre of wheelbase	m2 (mm)	260	290	290
4.34	Aisle width	Ast (mm)	5305	5320	5320
4.35	Turning radius	Wa (mm)	3300	3300	3300
5.1	Travel speed, laden/unladen	km/h	24/26	24/26	24/26
5.2	Lift speed, laden	m/s	0.62/0.64	0.49/0.51	0.43/0.51
5.3	Lowering speed, laden	m/s	0.5/0.44	0.5/0.45	0.5/0.45
5.5	Drawbar pull, laden	N	40000	45000	45000
5.7	Gradeability, laden	%	58	55	52
5.10	Service brake		Hydraulic	Hydraulic	Hydraulic
	Parking brake		Mechanical	Mechanical	Mechanical
7.1	Engine manufacturer/type		YANMAR 4TNE98	YANMAR 4TNE98	YANMAR 4TNE98
	Emission standard		StageIIIA / EPA Tier3	StageIIIA / EPA Tier3	StageIIIA / EPA Tier3
7.2	Engine power according to DIN ISO 1585	kw/r/min	42.1/2300	42.1/2300	42.1/2300
7.3	Rated speed	Nm/t/min	196/1700	196/1700	196/1700
7.4	Number of cylinders/displacement	(-)/(cm ³)	4/3319	4/3319	4/3319
7.10	Battery voltage/nominal capacity	V/Ah	12/90	12/90	12/90
10.3	Hydraulic Tank - capacity (drain & refill)	litres	60	60	60
10.4	Fuel tank capacity	litres	60	60	60

2.5-3.5t Mast: (Pneumatic Tyres)

Type	Model	Max.fork height	Overall height						Free lift				Front Overhang		Tilt range		Capacity max height		
			Lowered (mm)		Extended				Without backrest		With backrest		(mm)		FWD	BWD	Load Center 500mm		
			mm	2.5t	3/3.5t	Without backrest (mm)	With backrest (mm)	2.5t	3/3.5t	2.5t	3/3.5t	2.5t	3/3.5t	2.5t	3/3.5t	(^o)	(^o)	2.5t	3t
Wide view mast	LS-RT25-35-4M300	3000	2215	2350	3782	3993	4122	4142	140	145	140	145	585	600	10	12	2500	3000	3500
	LS-RT25-35-4M330	3300	2365	2500	4082	4293	4422	4442	140	145	140	145	585	600	10	12	2500	3000	3400
	LS-RT25-35-4M350	3500	2465	2600	4282	4493	4622	4642	140	145	140	145	585	600	10	12	2500	2800	3200
	LS-RT25-35-4M370	3700	2615	2700	4482	4693	4822	4842	140	145	140	145	585	600	10	12	2500	2600	2800
	LS-RT25-35-4M400	4000	2815	2950	4782	4993	5122	5142	140	145	140	145	585	600	10	12	2100	2400	2500
Wide view full free triplex mast	LS-RT25-35-4N400	4000	2115	2300	4860	5025	5122	5269	1255	1275	993	1031	603	618	10	12	2000	2300	2400
	LS-RT25-35-4N430	4300	2215	2400	5160	5325	5422	5569	1355	1375	1093	1131	603	618	10	12	1900	2100	2200
	LS-RT25-35-4N450	4500	2265	2450	5360	5525	5622	5769	1405	1425	1143	1181	603	618	10	12	1700	1900	1900
	LS-RT25-35-4N470	4700	2365	2550	5560	5725	5822	5969	1505	1525	1243	1281	603	618	10	12	1400	1500	1500
	LS-RT25-35-4N500	5000	2515	2700	5860	6025	6122	6269	1655	1675	1393	1431	603	618	6	6	1100	1200	1200
	LS-RT25-35-4N550	5500	2715	2900	6360	6525	6622	6769	1855	1875	1593	1631	603	618	6	6	800	900	900
	LS-RT25-35-4N600	6000	2965	3150	6860	7025	7122	7269	2105	2125	1843	1881	603	618	6	6	600	700	700



Branches

VICTORIA

Melbourne - Springvale (Head Office)

📍 1574 Centre Rd
Springvale, VIC, 3171
☎ [03] 9547 8000

Melbourne - Truganina

📍 501 Robinsons Rd
Truganina, VIC, 3029
☎ [03] 9394 4000

NEW SOUTH WALES

Sydney (State Office)

📍 219 Newton Rd
Wetherill Park, NSW, 2164
☎ [02] 8788 1777

Port Kembla

📍 20-26 Flinders Street
Port Kembla, NSW, 2505
☎ 13 22 54

SOUTH AUSTRALIA

Adelaide (State Office)

📍 18-22 Churchill Rd. Nth.
Dry Creek, SA, 5094
☎ [08] 8360 3444

TASMANIA

Tasmania

📍 87a Devonport Road
Spreyton, TAS, 7310
☎ [03] 6427 3966

QUEENSLAND

Brisbane (State Office)

📍 11 Lombank Street
Acacia Ridge, QLD, 4110
☎ [07] 3373 5111

Rockhampton

📍 62 Glenmore Road
Park Avenue, Rockhampton
QLD 4700
☎ [07] 4922 8874

Townsville

📍 39 Duckworth Street
Garbutt, QLD, 4814
☎ [07] 4778 2000

WESTERN AUSTRALIA

Perth (State Office)

📍 Unit 1, 1-9 Kurnall Road
Welshpool, WA, 6106
☎ [08] 9352 9200

Karratha

📍 Lot 3873-Pemberton Road
Karratha, WA, 6714
☎ 13 22 54

Service Centres

VICTORIA

Bendigo
Warrnambool
Ballarat
Shepparton
Wodonga
Mildura

TASMANIA

Hobart
Launceston
Burnie

NEW SOUTH WALES

Dubbo
Griffith
Tamworth
Newcastle
Wollongong
Canberra
Tumut
Bathurst
Wagga Wagga
Albury
Gosford
Coffs Harbour

SOUTH AUSTRALIA / NT

Riverland
Darwin

QUEENSLAND

Rockhampton
Mackay
Cairns
Gladstone
Townsville
Mt Isa
Toowoomba
Gold Coast
Sunshine Coast

WESTERN AUSTRALIA

Bunbury
Kalgoorlie
Karratha

Disclaimer: The specifications set out in this brochure are based on current specifications of the units as made available to us from the manufacturer and are correct at the time of printing. Whilst every care has been taken to ensure that these specifications are correct, the specifications may change from time to time and no representation or warranty is made by Adapt-A-Lift Group that these specifications are correct at the time you place any order with us. You should not rely on this brochure as being the correct specifications of the unit(s) and should check with us to ensure that these specifications are correct at the time of placing any order with us.

13 22 54
www.adaptalift.com.au