

COMBi-CB

The innovative and compact Combi-CB is designed to increase productivity, improve safety and help increase your storage capacity both indoors & outdoors.

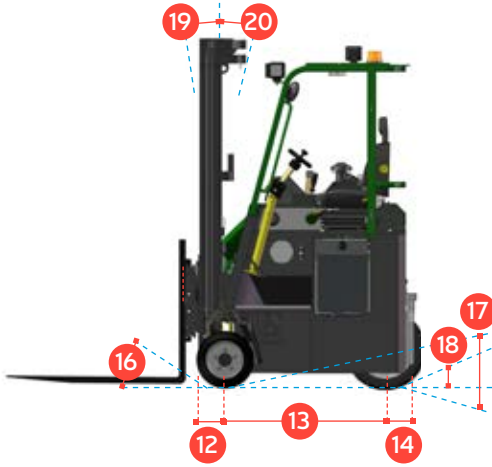
COMBiLiFT

LIFTING INNOVATION

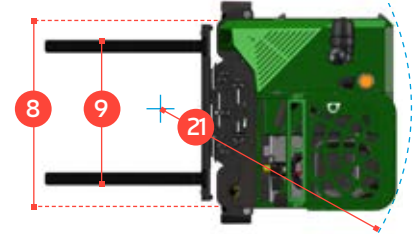
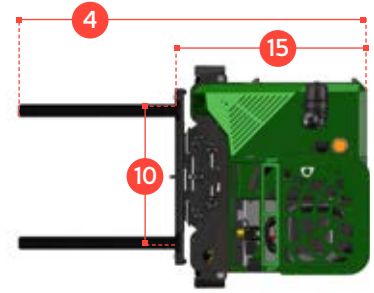
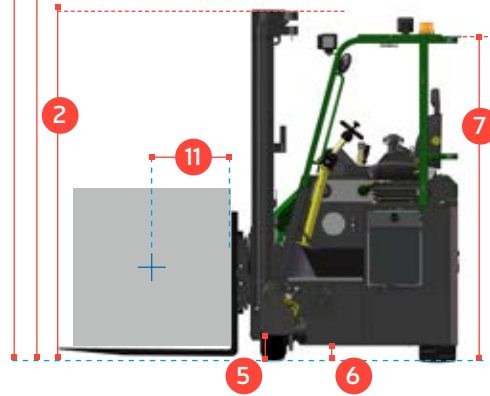


COMBi-CB

FRONTAL MODE



SIWARD MODE



REF.	DESCRIPTION	Std.	Optional		
1 a	Standard Lift Height	4000mm	4900mm	5500mm	6000mm
1 b	Free Lift Height	0mm	1318mm	1518mm	1683mm
2	Height Mast Closed	2670mm	2243mm	2443mm	2610mm
3	Max. (Mast raised)	4830mm	5778mm	6378mm	6878mm
4	Overall Length		2615mm		
5	Ground Clearance Under Mast		125mm		
6	Ground Clearance to Wheelbase Centre		100mm		
7	Height of Overhead Guard		2250mm		
8	Width		1500mm		
9	Outside Spread of Fork Arms		1325mm		
10	Track Front		1320mm		
11	Load Centre Distance		600mm		
12	Overhang Front		320mm		
13	Wheel Base		1100mm		
14	Overhang Back		140mm		
15	Length From Face of Fork		1550mm		
16	Approach Angle		30°		
17	Ramp Angle		15°		
18	Departure Angle		30°		
19	Forward Tilt		3°		
20	Backward Tilt		6°		
21	Minimum Outside Radius		1410mm		
A	Capacity		2500kg/3000kg		
B	Unladen Weight		6800 kg		
C	Maximum Ground Speed		14 Km/h		
D	Gradeability		10%		
E	V1505 Kubota Diesel / Toyota 4Y Engine LPG		32KW / 42KW		
F	Electrics		12 Volt		
G	Fork Section		125mm x 50mm x 1065mm		
H	16 x 7 – 10.5 Front Tyre x 2		OD 406mm / Width 178mm		
I	22 x 10 x 16 Rear Tyre x 1		OD 559mm / Width 254mm		
J	Standard Colour		Green and Grey		
K	Suspension Seat		Grammer MSG 65		

Multi-Directional



Features Include:

- Open Cabin
- Multi-Direction Operation
- Load Sensing Steering
- 3 Wheel Hydrostatic Drive
- +/- 100mm Sideshift
- 4-way lever positioning of Wheels

Distributed by:

rev. 1.1

Protected by Design Registration Copyright: European Community No.: 000725668-0001; US No.: D579, 624; Canadian No.: 123292 | Australian No.: 318370; Russian Federation No.: 70814 | Korean No.: 30-0516087; Japanese No.: 1330896; Taiwan No.: D126056; Chinese No.: ZL200730329732.6

COMBILIFT HAS A POLICY OF CONTINUOUS PRODUCT DEVELOPMENT AND RESERVES THE RIGHT TO ALTER SPECIFICATIONS WITHOUT PRIOR NOTICE. SPECIFICATIONS AND/OR DIMENSIONS MAY VARY FROM THOSE ILLUSTRATED IN SOME COUNTRIES.