

adaptalift **GROUP**



# P2.0UTE

2,000 KG

ELECTRIC  
WALKIE  
PALLET TRUCK



THE SOLUTION TO YOUR  
APPLICATION NEEDS

**13 22 54**  
[aalhysterforklifts.com.au](http://aalhysterforklifts.com.au)

# P2.0UTE

2,000 KG

ELECTRIC  
WALKIE  
PALLET TRUCK

## OVERVIEW

The Hyster® electric walkie pallet truck P2.0UTE combines ergonomic features and reliable performance with energy efficient technology. The low-maintenance helps increase productivity and reduce operational costs.

### Standard Features

- ✓ Brushless maintenance free AC motor
- ✓ Sealed maintenance free batteries
- ✓ Small turning radius 1335mm-1405mm (width 520/550/685mm)
- ✓ Self-adjusting caster wheels
- ✓ Drive capability when tiller is upright, greatly reducing turning space
- ✓ Tiller head with max. speed limit button
- ✓ Emergency stop and belly button
- ✓ Casters to increase stability
- ✓ Exit roller
- ✓ BDI and hour meter
- ✓ Built-in charger

### Options

- ✓ External charger
- ✓ Various fork widths and lengths available



**Handle (Standard)  
(Left & Right  
Handed)**

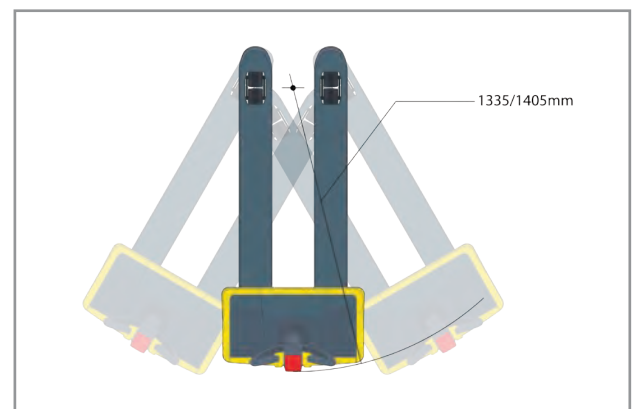


**Entry roller for  
easy operation**

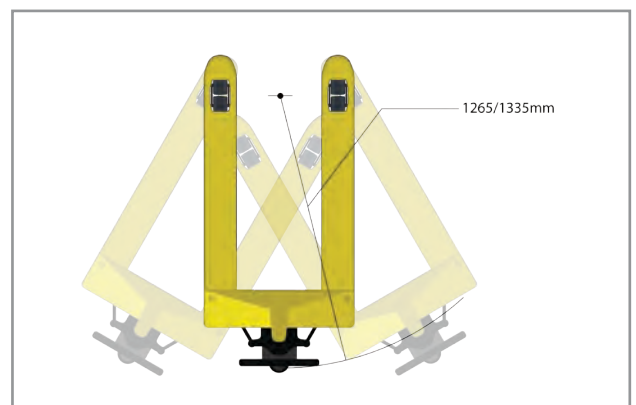
## TURNING RADIUS

The P2.0UTE has a small turning radius. When switched to low speed it adapts to narrow spaces. Ideal for shipping containers and tail gate applications.

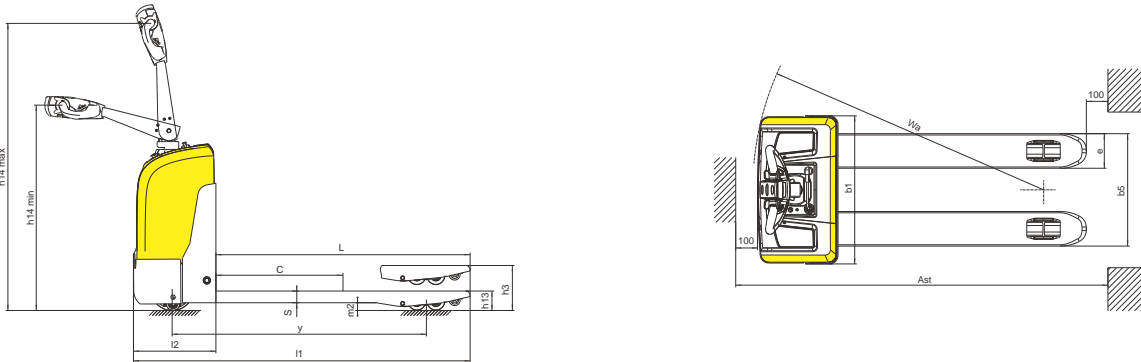
### MINI Type Pallet Truck



### Hand Pallet Truck



# SPECIFICATIONS AND DIMENSIONS



MODEL	MEASUREMENT	P2.0UTE
Load capacity	Q (kg)	2000
Load centre distance	c (mm)	600
Fork height, lowered	h13 (mm)	85 / 75
Tyre size, front	mm	φ195x70
Tyre size, rear (single)	mm	φ80x93 /φ74x93
Tyre size, rear (double)	mm	φ80x70 /φ74x70
Wheels number front rear (x = driven wheels)		1X-2/4
Max. lift height	h3 (mm)	190/180
Height of tiller in drive position min./max.	h14 (mm)	950/1310
Overall length	I1 (mm)	1525/1595
Length to face of forks	I2 (mm)	375
Overall width	b1 (mm)	685
Fork dimensions	s/e/l (mm)	53/160/1150 (1220)
Width overall forks	b5 (mm)	520/550/685
Aisle width for pallets 1000x1200 (1200 crossways)	Ast (mm)	1725/1795
Aisle width for pallets 800x1200 (1200 lengthways)	Ast (mm)	1775/1795
Turning radius	Wa (mm)	1335/1405
Travel speed, laden/unladen	Km/h	4/4.5
Battery voltage/nominal capacity K20	V/Ah	24/105
Battery dimensions l/w/h	mm	260/169/215
Battery weight	Kg	49
Service weight (with battery)	Kg	250

## P2.0UTE Power Plug Type



## Branches

### VICTORIA

#### Melbourne - Springvale (Head Office)

📍 1574 Centre Rd  
Springvale, VIC, 3171  
☎ [03] 9547 8000

#### Melbourne - Truganina

📍 42-44 Jessica Way  
Truganina, VIC, 3029  
☎ [03] 9394 4090

### TASMANIA

#### Spreyton

📍 87a Devonport Road  
Spreyton, TAS, 7310  
☎ [03] 6427 3966

### NEW SOUTH WALES

#### Sydney (State Office)

📍 219 Newton Rd  
Wetherill Park, NSW, 2164  
☎ [02] 8788 1777

#### Riverina

📍 5 Favell Street  
Griffith, NSW, 2680  
☎ [02] 6962 7343

#### Port Kembla

📍 20-26 Flinders Street  
Port Kembla, NSW, 2505  
☎ 13 22 54

### QUEENSLAND

#### Brisbane (State Office)

📍 11 Lombank Street  
Acacia Ridge, QLD, 4110  
☎ [07] 3373 5111

#### Rockhampton

📍 62 Glenmore Road  
Park Avenue, Rockhampton  
QLD 4701  
☎ [07] 4922 8874

#### Townsville

📍 39 Duckworth Street  
Garbutt, QLD, 4814  
☎ [07] 4778 2000

### SOUTH AUSTRALIA/ NORTHERN TERRITORY

#### Adelaide (State Office)

📍 18-22 Churchill Rd. Nth.  
Dry Creek, SA, 5094  
☎ [08] 8360 3444

#### Mt Gambier

☎ 13 22 54

### WESTERN AUSTRALIA

#### Perth (State Office)

📍 Unit 1, 1-9 Kurnall Road  
Welshpool, WA, 6106  
☎ [08] 9352 9200

#### Karratha

📍 Lot 3873-Pemberton Road  
Karratha, WA, 6714  
☎ 13 22 54

## Service Centres

### VICTORIA

Bendigo  
Warrnambool  
Ballarat  
Shepparton  
Wondonga  
Mildura

### TASMANIA

Hobart  
Launceston  
Burnie

### NEW SOUTH WALES

Dubbo  
Griffith  
Tamworth  
Newcastle  
Wollongong  
Canberra  
Tumut  
Bathurst  
Wagga Wagga  
Albury  
Gosford  
Coffs Harbour

### QUEENSLAND

Rockhampton  
Mackay  
Cairns  
Gladstone  
Townsville  
Mt Isa  
Toowoomba  
Gold Coast  
Sunshine Coast

### SOUTH AUSTRALIA/NT

Riverland  
Darwin

### WESTERN AUSTRALIA

Margaret River



# 13 22 54

[aalhysterforklifts.com.au](http://aalhysterforklifts.com.au)